

GOBI TOYOTA LAND CRUISER 2024-25 ROOF RACK WIND DEFLECTOR INSTALLATION INSTRUCTIONS

Guidelines:

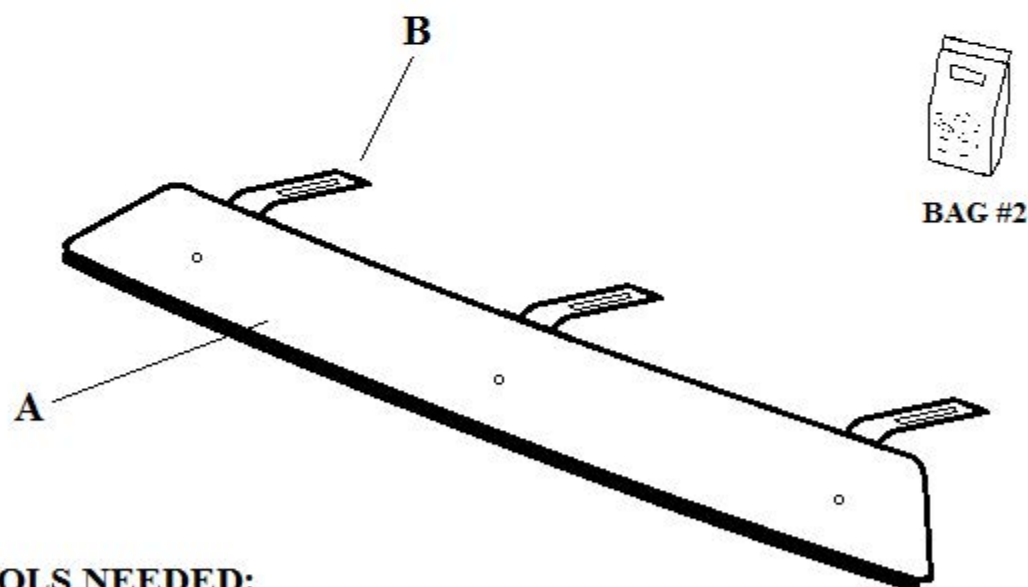
When using Load Carriers and Accessories, the user must understand the precautions. The points listed below will assist you in using the rack /carrier system and will encourage safety.

- For quality fits and safety, use only the recommended rack or accessory. Do not assume an accessory will fit, always check with dealer when obtaining new accessories. Use only approved accessories on load carriers. Using other brands will void your warranty.
- Make sure all knobs, bolts, screws, straps, and locks are firmly attached, tightened and locked before every trip. Knobs, bolts, screws, straps, and locks must be periodically inspected for signs of wear, corrosion, and fatigue. Check your load at stops during the trip to insure continued fastening security.
- Check local and state laws governing projection of objects beyond the width of a vehicle. **Be aware of the width and height of your cargo since low clearance branches, bridges, and parking garages can affect the load** All cargo will affect the vehicle's driving behavior. Never drive with any lock, knob, or rack in an open or unlocked position. All long loads such as, but not limited to sailboards, surfboards, kayaks, canoes, and lumber must be tied down front and rear to the bumpers or tow hooks, of the vehicle.
- Remove your rack accessories when they are not in use, before entering car washes, prior to taking in your vehicle for service, and whenever clearance may be an issue.
- All locks must be turned and moved periodically to insure smooth operation. Use graphite or similar dry lubricant to help this. Locks are designed to deter vandalism and theft. Remove valuable gear if your vehicle is unattended for an extended period. Place at least one key in the glove compartment.
- For safety to your vehicle and rack system, obey all posted speed limits and traffic cautions. Adapt your speed to the conditions of the road and the load being carried.
- Do not use load carriers and accessories for purposes other than those for which they were designed. Do not exceed their carrying capacity.
- Consult with your dealer if you have any questions regarding the operations and limits of this product. Review all instructions carefully.

CAUTION: USE ANTI-SEIZE LUBRICANT ON ALL SCREWS

**GOBI TOYOTA LAND CRUISER 2024-25 ROOF RACK
WIND DEFLECTOR
INSTALLATION INSTRUCTIONS**Included in kit

Letter	Description	Location	Quantity
A	WIND DEFLECTOR WITH RUBBER SEAL	Strapped to rack	1
B	WIND DEFLECTOR SUPPORT BRACKETS 65°	Strapped to Wind deflector	3
C	WIND DEFLECTOR MOUNTING HARDWARE CONTENTS: 6- 1/4-20 x 3/4" SS Button head screw 12- Nylon black round flat washers 6- 1/4-20 SS Nylock nuts 1- Wind deflector roof top clear tape (4R) 1- Package Anti-Seize lubricant	BAG #2 Strapped to Wind deflector	1

**TOOLS NEEDED:**

- 1- 7/16" BOX END WRENCH
- 1- 5/32" ALLEN WRENCH
- 1- 1" WIDE MASKING TAPE

CAUTION: USE ANTI-SEIZE LUBRICANT ON ALL SCREWS

GOBI TOYOTA LAND CRUISER 2024-25 ROOF RACK WIND DEFLECTOR INSTALLATION INSTRUCTIONS

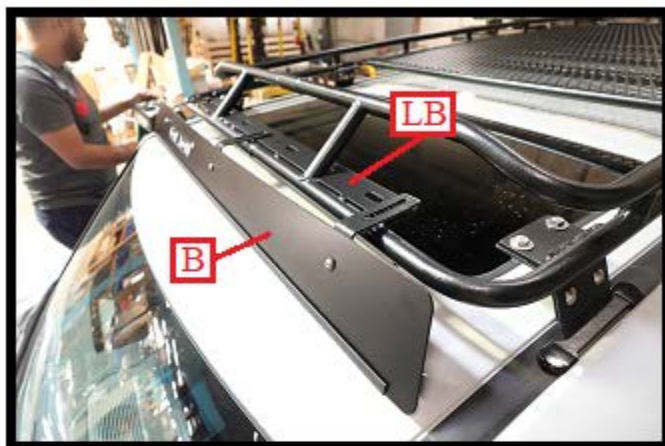
Fig. 1**Fig. 2**

As shown in Fig. 1 and Fig. 2, remove your wind deflector (B) which is strapped to your roof rack. Remove 3 wind deflector support brackets (B1) from parts Bag #2 tied to your wind deflector. Remove 3- 1/4-20 x 3/4" button head screws, 6-black nylon flat washers and 3- 1/4" nylock nuts and assemble the wind deflector brackets as shown. Use one 1/4" flat black nylon washer per side. Use a 5/32" Allen wrench and 7/16" ratchet wrench with a small amount of anti-seize lubricant to prevent screw galling.

Fig. 3**Fig. 4**

As shown in Fig. 3, adjust each wind deflector bracket (B1) approximately 1/4" from the inside bend of the wind deflector bracket (B1) to the top of the wind deflector. As shown in Fig. 4, clean the area of the roof top in front of the roof rack with denatured alcohol.

GOBI TOYOTA LAND CRUISER 2024-25 ROOF RACK WIND DEFLECTOR INSTALLATION INSTRUCTIONS

**Fig. 5**

As shown in Fig. 5, place the wind deflector (B) onto the Gobi roof rack light bar mounting plate (LB).

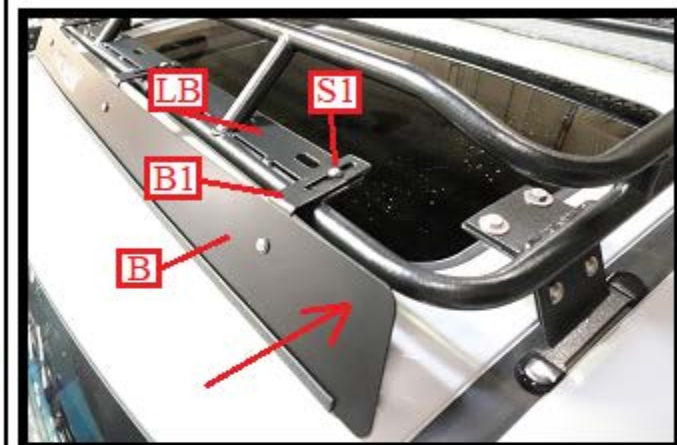
**Fig. 6**

As shown in Fig. 6, remove one 1/4-20 x 3/4" button head screw, two 1/4" black nylon flat washers and one 1/4" nylock nut from Bag #2. Use one 1/4"-20 x 3/4" button head screw and one 1/4" black flat washer (S1) and thread down into the middle support bracket (B1) then into roof rack light bar plate (LB). Thread on from the underside one 1/4" black flat washer and one 1/4" nylock nut. Set the wind deflector bracket (B1) even with the back of the light bar mounting plate (LB) and tighten in place using a 5/32" Allen wrench and 7/16" ratchet wrench.

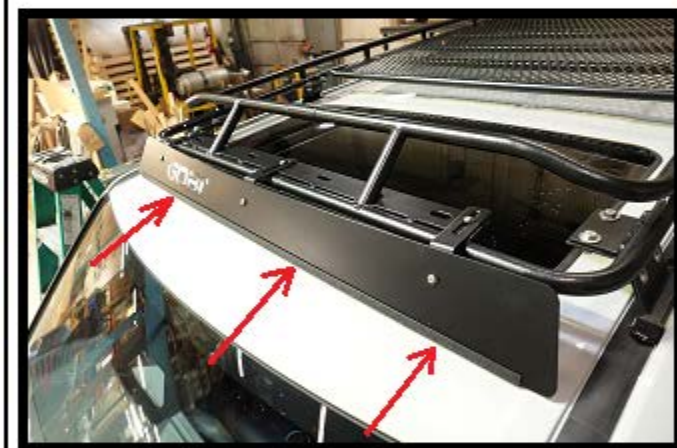
**Fig. 7**

As shown in Fig. 7, push the passenger side wind deflector (B) inwards as shown by the red arrow. This action will cause the wind deflector to bow. The wind deflector bracket (B1) will tilt a bit while you align the slot of bracket (B1) with the end slot of the light bar mount (LB). Place the (S1) screw combination in place as was done in Fig. 6 and tighten down using the 5/32 Allen wrench and 7/16" ratchet wrench.

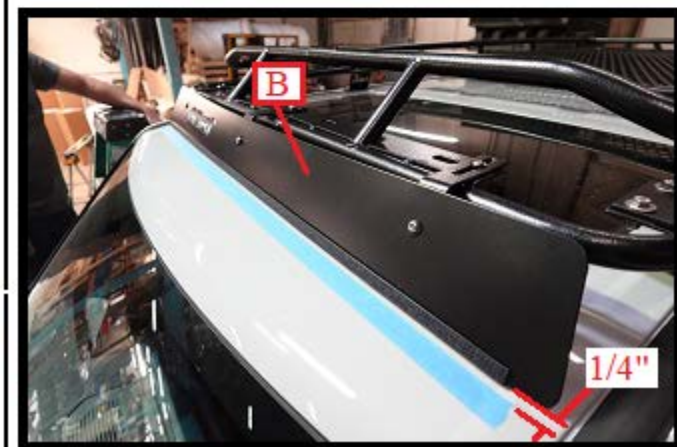
GOBI TOYOTA LAND CRUISER 2024-25 ROOF RACK WIND DEFLECTOR INSTALLATION INSTRUCTIONS

**Fig. 8**

As shown in Fig. 8, apply the same procedure as was done in Fig. 7 to the driver side wind deflector. Once completed the wind deflector will be bowed as you can see in Fig. 8 and Fig. 9.

**Fig. 9**

As shown in Fig. 9, make certain that the wind deflector (B) seal is snug or tight against the roof top as shown by the red arrows. No light should be visible between the seal and roof top. If light is present in the center adjust the center wind deflector in or out to close the gap. The same applies to the ends of the wind deflector.

**Fig. 10**

As shown in Fig. 10, when the wind deflector (B) is properly seated, place a strip of masking tape 1/4" in front of the wind deflector on the vehicle roof top surface.

**GOBI TOYOTA LAND CRUISER 2024-25 ROOF RACK
WIND DEFLECTOR
INSTALLATION INSTRUCTIONS****Fig. 11****Fig. 12**

As shown in Fig. 11, remove a roll of white backed clear wear tape (T) from Bag #2. Make certain the roof top surface remains clean then peel off the white backing and lay the clear tape as shown in Fig. 11 onto the roof top in front of the masking tape from one end to the other. Use the palm of your hand to press the tape down flat and even if you see bubbles under the tape, you can peel back the tape and try again. Once you have fully applied the tape, remove the masking tape marker.

Fig. 13**Fig. 14**

As shown in Fig. 13 and Fig. 14, place the wind deflector (B) back in place as was completed in Figures 5 through 9. Figure 13 shows how the wind deflector (B) should be seated on top of the clear wear tape (T). Fig. 14, shows a properly completed wind deflector installation for the Gobi Toyota Tacoma 4th Gen roof rack.

**GOBI TOYOTA LAND CRUISER 2024-25 ROOF RACK
WIND DEFLECTOR
INSTALLATION INSTRUCTIONS**

INSTALLATION COMPLETED