

GOBI STEALTH 270 DEGREE UNIVERSAL AWNING BRACKETS

INSTALLATION INSTRUCTIONS

Guidelines:

When using Load Carriers and Accessories, the user must understand the precautions. The points listed below will assist you in using the rack /carrier system and will encourage safety.

- For quality fits and safty, use only the recommended rack or accessory. Do not assume an accessory will fit, always check with dealer when obtaining new accessories. Use only approved accessories on load carriers. Using other brands will void your warrenty.
- Make sure all knobs, bolts, screws, straps, and locks are firmly attached, tightened and locked before every trip. Knobs, bolts, screws, straps, and locks must be periodically inspected for signs of wear, corrosion, and fatigue. Check your load at stops during the trip to insure continued fastening security.
- Check local and state laws governing projection of objects beyound the width of a vehicle. **Be aware of the width and height of your cargo since low clearance branches, bridges, and parking garages can affect the load** All cargo will affect the vehicle's driving behavior. Never drive with any lock, know, or rack in an open or unlocked position. All long loads such as, but not limited to sailboards, surfboards, kayaks, canoes, and lumber must be tied down front and rear to the bumpers or tow hooks, of the vehicle.
- Remove your rack accessories when they are not in use, before intering car washes, prior to taking in your vehicle for service, and whenever clearance may be an issue.
- All locks must be turned and moved periodically to insure smooth operation. Use graphite or similar dry lubricant to help this. Locks are designed to deter vandalism and theft. Remove valuable gear if your vehicle is unattended for an extended period. Place at least one key in the glove compartment.
- For safety to your vehicle and rack system, obey all posted speed limits and traffic cautions. Adapt your speed to the conditions of the road and the load being carried.
- Do not use load carriers and accessories for purposes other than those for which they were designed. Do not exceed their carrying capacity.
- Consult with your dealer if you have any questions regarding the operations and limits of this product. Review all instructions carefully.

NOTE: PLEASE FOLLOW ALL AWNING MANUFACTUER INSTRUCTIONS FOR TIE DOWN REQUIREMENTS WHEN WINDS OVER 20 MPH ARE PRESENT.

GOBI STEALTH 270 DEGREE UNIVERSAL AWNING BRACKETS

INSTALLATION INSTRUCTIONS

Included in kit

Letter	Description	Location	Quantity
A	GOBI STEALTH 270 DEGREE UNIVERSAL AWNING BRACKETS	Main box	4 BRKTS.

A

NOTE: PLEASE FOLLOW ALL AWNING MANUFACTURER INSTRUCTIONS FOR TIE DOWN REQUIREMENTS WHEN WINDS OVER 20 MPH ARE PRESENT.

GOBI STEALTH 270 DEGREE UNIVERSAL AWNING BRACKETS

INSTALLATION INSTRUCTIONS

Refer to Fig. 1 and Fig. 2 below. The Gobi awning support brackets (A) can be attached to just about any point along the side of the Gobi rack. During placement of the Gobi awning brackets space each bracket apart as evenly as possible to ensure stability of the awning during transport and use. Most 270 degree awnings are placed on the driver side so the hinge of the awning is positioned at the rear of the vehicle as shown in Fig. 1.

Top View

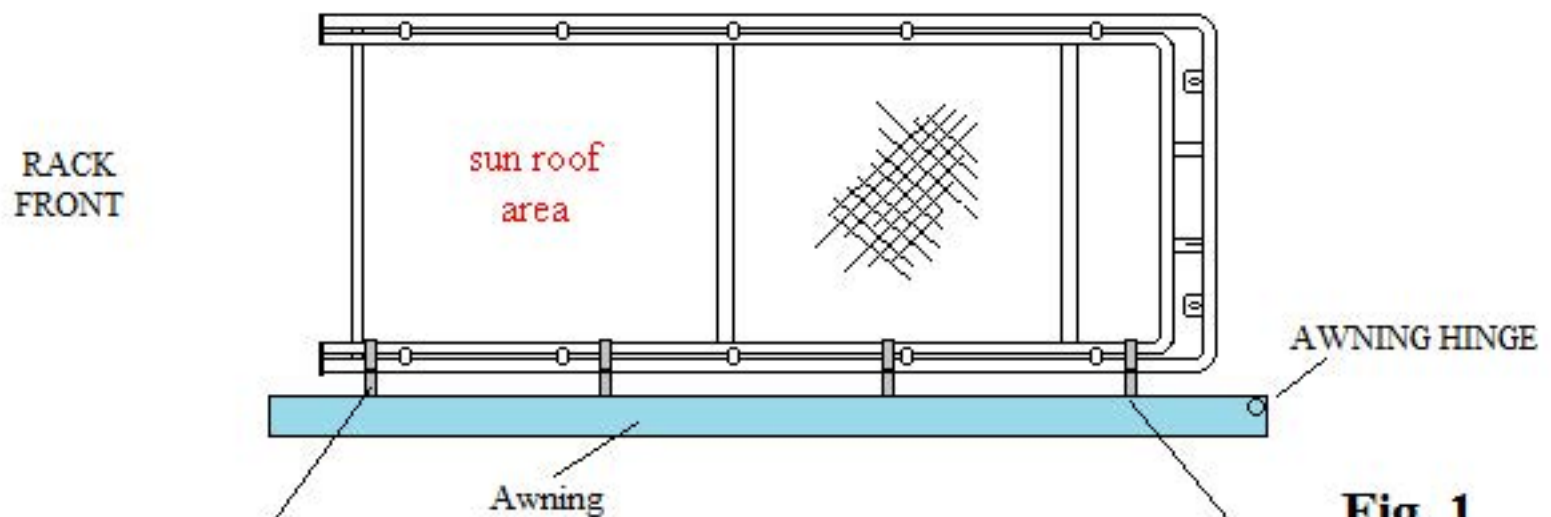


Fig. 1

Side View

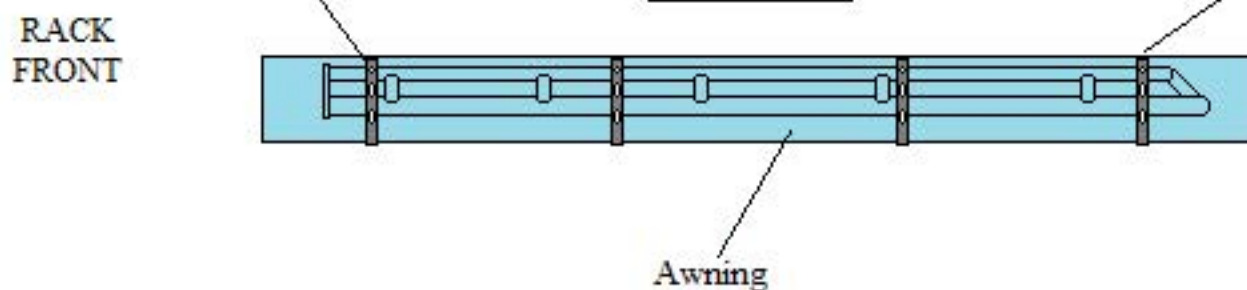
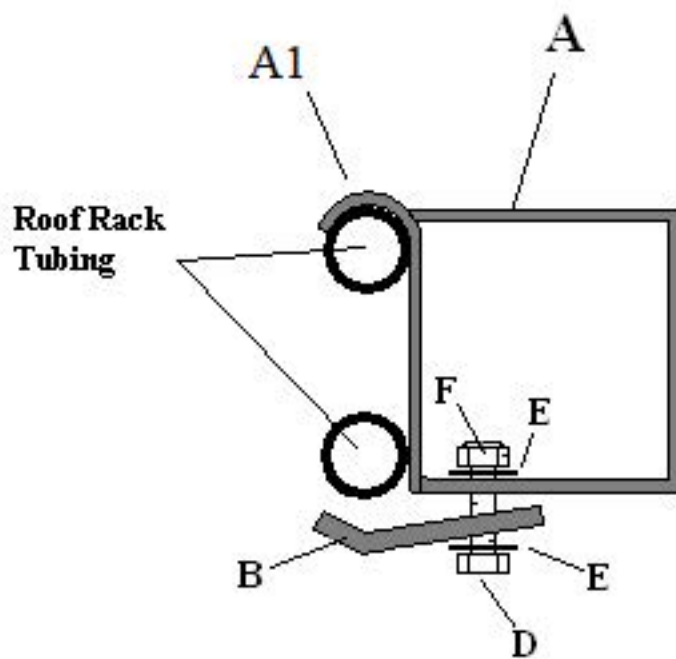
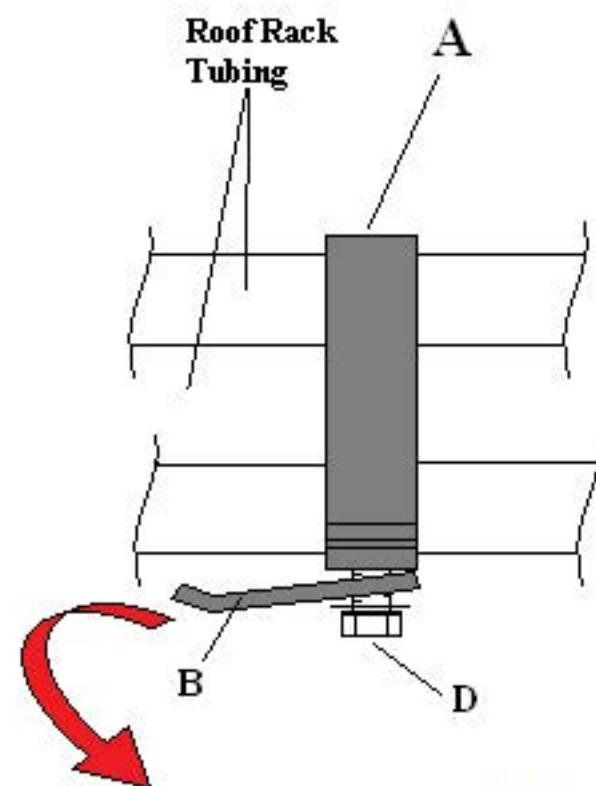


Fig. 2

NOTE: PLEASE FOLLOW ALL AWNING MANUFACTURER INSTRUCTIONS FOR TIE DOWN REQUIREMENTS WHEN WINDS OVER 20 MPH ARE PRESENT.

GOBI STEALTH 270 DEGREE UNIVERSAL AWNING BRACKETS INSTALLATION INSTRUCTIONS

Refer to Fig. 3 and Fig. 4 to install awning brackets on the roof rack. Loosen screw (D) and nut (F), then swing clamp (B) either to the right or left of the awning bracket (A). Place the hook end (A1) of Gobi awning bracket on the top roof rack tube as shown in Fig. 3 and Fig. 4. Swing clamp (B) back under lower tube and fully tighten all screws and nuts. Once all Gobi awning brackets are fully tightened, secure the 270 awning to the brackets.

**Fig. 3****Fig. 4**

NOTE: PLEASE FOLLOW ALL AWNING MANUFACTURER INSTRUCTIONS FOR TIE DOWN REQUIREMENTS WHEN WINDS OVER 20 MPH ARE PRESENT.

GOBI STEALTH 270 DEGREE UNIVERSAL AWNING BRACKETS INSTALLATION INSTRUCTIONS

Fig. 5

As shown in Fig. 5, each awning bracket plate (P) can be tilted up or down or slide in or out shown by red arrows based on the needs of the installation. Once adjustments have been made, fully tighten screws and nuts (S).

Fig. 6

As shown in Fig. 6, install your awning onto the 4 Gobi 270-degree awning brackets as directed by the awning manufacturer. Awning can now be deployed as shown. Installation completed.

NOTE: PLEASE FOLLOW ALL AWNING MANUFACTURER INSTRUCTIONS FOR TIE DOWN REQUIREMENTS WHEN WINDS OVER 20 MPH ARE PRESENT.