

## GOBI TOYOTA 4 RUNNER 3RD GEN ROOF RACK INSTALLATION INSTRUCTIONS

### Guidelines:

When using Load Carriers and Accessories, the user must understand the precautions. The points listed below will assist you in using the rack /carrier system and will encourage safety.

- For quality fits and safty, use only the recommended rack or accessory. Do not assume an accessory will fit, always check with dealer when obtaining new accessories. Use only approved accessories on load carriers. Using other brands will void your warrenty.
- Make sure all knobs, bolts, screws, straps, and locks are firmly attached, tightened and locked before every trip. Knobs, bolts, screws, straps, and locks must be periodically inspected for signs of wear, corrosion, and fatigue. Check your load at stops during the trip to insure continued fastening security.
- Check local and state laws governing projection of objects beyound the width of a vehicle. **Be aware of the width and height of your cargo since low clearance branches, bridges, and parking garages can affect the load** All cargo will affect the vehicle's driving behavior. Never drive with any lock, know, or rack in an open or unlocked position. All long loads such as, but not limited to sailboards, surfboards, kayaks, canoes, and lumber must be tied down front and rear to the bumpers or tow hooks, of the vehicle.
- Remove your rack accessories when they are not in use, before intering car washes, prior to taking in your vehicle for service, and whenever clearance may be an issue.
- All locks must be turned and moved periodically to insure smooth operation. Use graphite or similar dry lubricant to help this. Locks are designed to deter vandalism and theft. Remove valuable gear if your vehicle is unattended for an extended period. Place at least one key in the glove compartment.
- For safety to your vehicle and rack system, obey all posted speed limits and traffic cautions. Adapt your speed to the conditions of the road and the load being carried.
- Do not use load carriers and accessories for purposes other than those for which they were designed. Do not exceed their carrying capacity.
- Consult with your dealer if you have any questions regarding the operations and limits of this product. Review all instructions carefully.

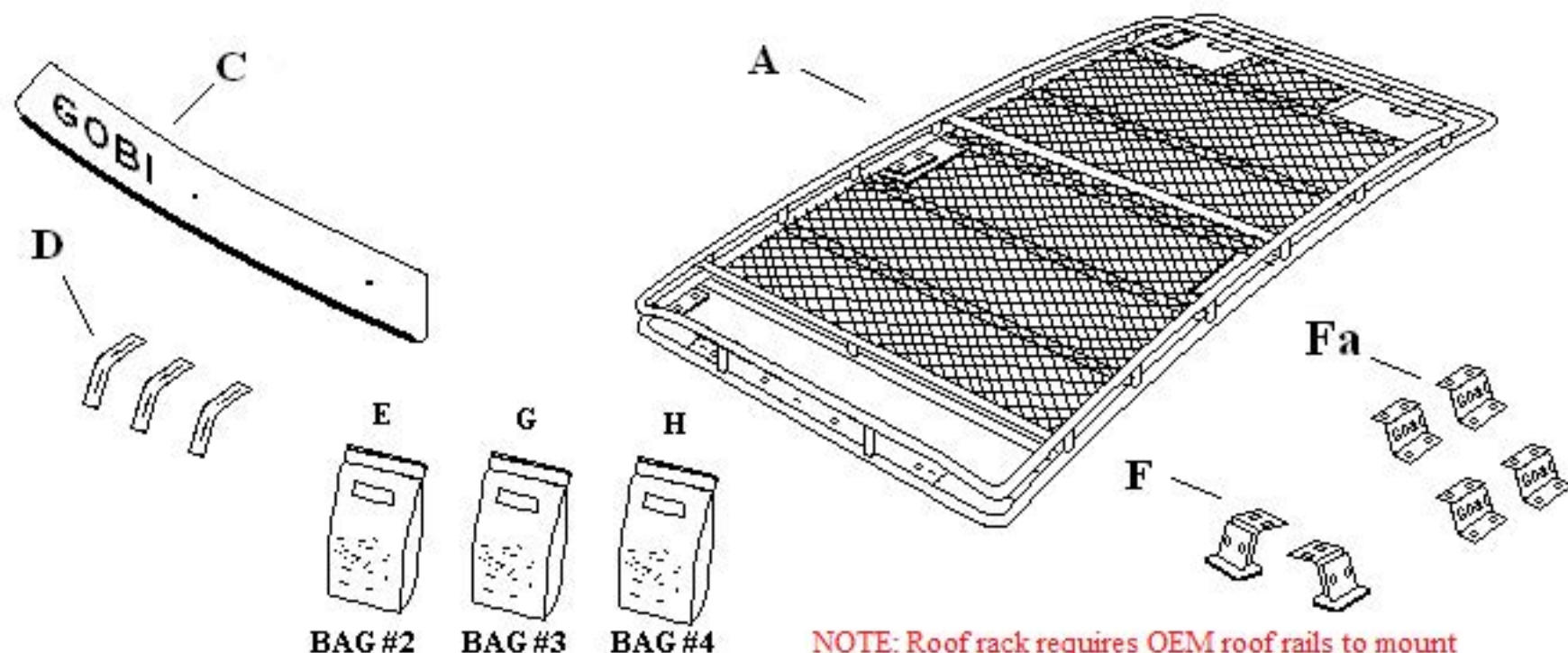
**NOTE: Roof rack requires OEM roof rails to mount**

# GOBI TOYOTA 4 RUNNER 3RD GEN ROOF RACK

## INSTALLATION INSTRUCTIONS

Included in kit

Letter	Description	Location	Quantity
A	GOBI TOYOTA 4 RUNNER 3RD GEN ROOF RACK	Main box	1
B	WIND DEFLECTOR RUBBER PROTECTIVE STRIP	pre-assembled	1
C	WIND DEFLECTOR	banded to rack	1
D	WIND DEFLECTOR BRACKETS IN BAG #2	banded to rack	3
E	WIND DEFLECTOR HARDWARE All wind deflector hardware is located in Bag #2 which is attached to wind deflector and banded to roof rack	<b>BAG #2</b> banded to wind deflector	1
F	GOBI FRONT ADJUSTABLE SUPPORT BRACKETS DRIVER AND PASSENGER SIDE	Hardware Box	2
Fa	GOBI MIDDLE AND REAR SUPPORT BRACKETS 2-1/2"	Hardware Box	4
G	GOBI ROOF MOUNT BRACKET HARDWARE CONTENTS: 8- 5/16" x 3/4" SS button head screws 8- 5/16" SS lock washers 8- 5/16" SS Flat washers 4 3 1/2" x 3/4" "T" nuts 1-Torx wrench T-25 1- 3/16" Allen wrench	<b>BAG #3</b> Hardware Box	1
H	GOBI RACK BRACKET HARDWARE CONTENTS: 12- 3/8" x 1" SS Hex Bolt 24- 3/8" SS Flat washers 12- 3/8" Nylock nuts 6- Rubber pads black	<b>BAG #4</b> Hardware Box	1



## GOBI TOYOTA 4 RUNNER 3RD GEN ROOF RACK INSTALLATION INSTRUCTIONS

The rack must be inspected before each use to make certain attachments are secure, and for evidence of Wear. Misuse of the rack or failure to observe the manufacturer's instructions as to installation, proper Attachment and maintenance will void any warranties that may be implied by law.

### INSTALLATION INSTRUCTIONS:

- 1- Refer to the hardware list on page 2 check and verify that all hardware is present prior to installation.
- 2- Refer to page 5 Fig. 1 and remove screws (#3) located at the end of each roof rail track (#4) both passenger and driver side using the Torx T-25 wrench located in Bag # 3 of your hardware kit.
- 3- Refer to page 5 Fig. 1 a remove all 4 roof rail end caps (#5) by lifting slightly on screw tab "A" and pulling in the direction of arrow "B". After all roof rail end caps #5 have been removed slide out OEM/original equipment cross bars (#1) as they are no longer needed. Continue by sliding "T" nuts (#6) located in Bag # 3 into roof rail ends as shown in Fig 1 a one into each end of both roof rail tracks then replace all 4 (#5) end caps and (#3) screws and tighten using the Torx wrench T-25. **NOTE: Roof rack requires OEM roof rails to mount**
- 4- Refer to page 6 Fig. 2 and install the GOBI support brackets #7 (Fa) as shown onto all "T"- nuts previously installed in roof rack rails using the 3/16" Allen wrench and the (#9) 5/16 -18 x 3/4" button head screws, lock washers and flat washers located in Bag #3 of your hardware kit. Slide each GOBI support bracket as shown on page 6 Fig. 2 approximately 1" from the end of each roof rail not including end caps (#5). Snug down only at this time using the 3/16" Allen wrench located in Bag #3.
- 5- Refer to page 6 Fig. 2 and attach both #8 (F) support brackets located in your hardware box to the front of the roof rack (#11) making sure to place each support bracket as labeled Drivers side and Passenger side. Place a black rubber pad (#10) located in Bag #4 between flange (#11a) of the roof rack and support bracket #8(F). Use the (#12) 3/8-16 x 1" SS Hex head bolt, washers, lock washers and nuts located in Bag #4 of your hardware kit to secure the brackets in place. Finger tighten only at this time.
- 6- Refer to page 6 Fig. 2 and place the Gobi roof rack #11 onto the 4 previously installed GOBI support brackets #7(Fa) as shown. Place a rubber pad (#10) between each support bracket and roof rack flange as before and use the (#12) 3/8-16 x 1" hex head bolts, flat washers and nuts located in Bag #4 of the hardware kit to secure roof rack in place. Finger tighten only at this time.
- 7- Refer to page 6 and fully tighten all 4 GOBI support brackets #7(Fa) to the roof rail track at this time using the 3/16" Allen wrench supplied in your hardware kit Bag #3.
- 8- Refer to page 6 and fully tighten all 4 GOBI support brackets #7(Fa) to the roof rack using two 9/16" box end wrenches.

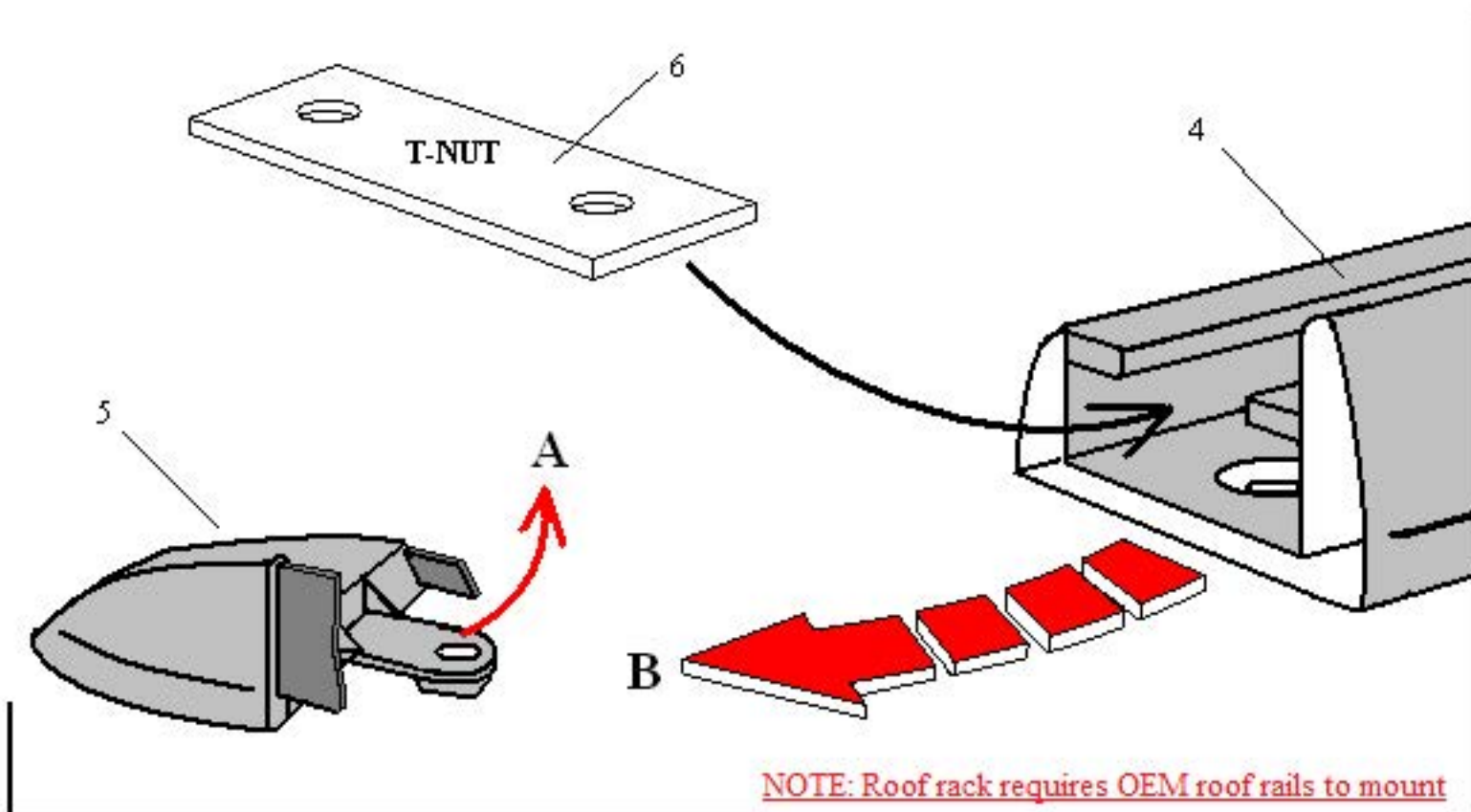
## GOBI TOYOTA 4 RUNNER 3RD GEN ROOF RACK INSTALLATION INSTRUCTIONS

The rack must be inspected before each use to make certain attachments are secure, and for evidence of Wear. Misuse of the rack or failure to observe the manufacturer's instructions as to installation, proper Attachment and maintenance will void any warranties that may be implied by law.

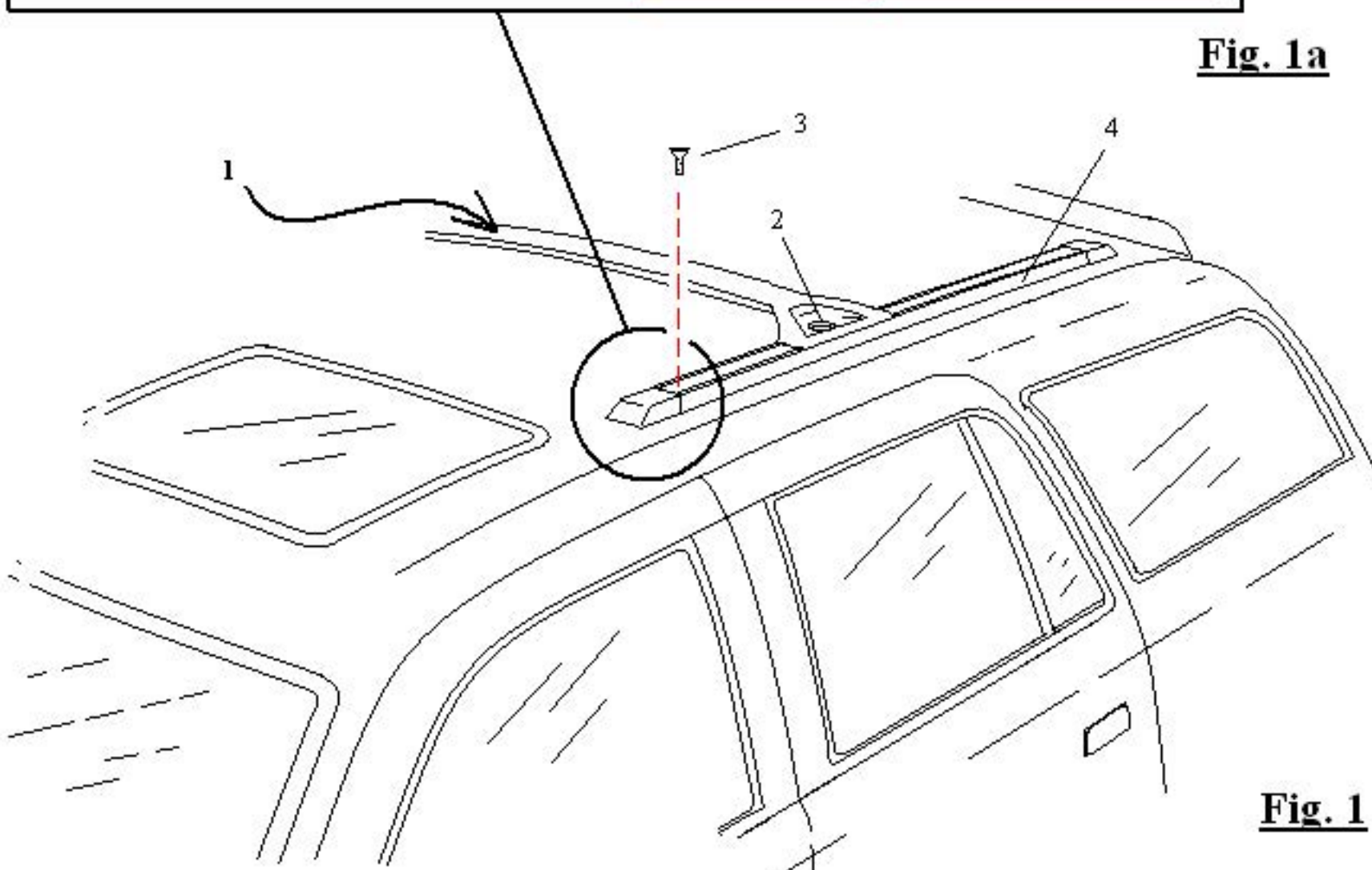
### INSTALLATION INSTRUCTIONS CONTINUED:

- 9- Refer to page 7 Fig. 3 and 3a fully tighten both the (#12) 3/8-16 x 1" hex bolts, washers, lock washers and nuts securing support bracket #8(F) to the roof rack flange (#11a). Be sure that bolts (#13) of support bracket #8(F) are snug and that the adhesive foam pad is in contact with the roof top surface. Place two strips of masking tape or the like around the two outside corners of the adjustable foot pad as shown on page 7 Fig 3 and 3a. Remove the adjustable foot sections of support bracket #8(F) by fully removing screws (#13). Clean off the surface below the foot pad with denatured alcohol to provide a clean bonding surface. Peel off the adhesive protective cover of the double back foam tape then carefully place the adjustable foot section back within the masking tape borders. Once adjustable foot has been installed place both bolts (#13) along with their nuts and washers and finger tighten at this time apply the same procedure to the opposite side.
- 10- Refer to Page 7 Fig. 3a make sure that screws (#13) of support bracket 8(F) are snug but not tight then adjust the Drivers side support bracket 8(F) so that a distance of no more than (3 1/4") is measured between the roof top and the underside of the Gobi roof rack as shown then fully tighten screws (#13). Apply the same procedure to the opposite side. Once both support brackets are fully adjusted and tightened remove masking tape markers.
- 11- Refer to page 8 Fig. 4 the (#2) fairing comes pre-assembled with fairing brackets (#4) attached. The position of each attached fairing bracket may not be fixed at the proper height for your particular roof line. Adjustments may need to be performed in order for the fairing to form correctly to your vehicles roof line. Begin by attaching the fairing's center bracket to the middle slot (#5a) of the Gobi roof rack light bar (#5) shown on page 8 Fig. 4, use the 1/4" screws, washers and lock nuts supplied in (Plastic Bag #2). Provide approximately a 1-1/2" to 2" gap between the fairing and the Gobi rack outer tube as shown on page 8 Fig. 6a, tighten down the center nut and screw at this time. Proceed to either the right or left hand side and pull the fairing in the direction of the arrows on page 8 Fig. 5 letters "F" and "G" while pushing down on the fairing towards the roof top at the same time. Pull each side until the fairing either makes contact with the Gobi roof rack or comes in close proximity. Align fairing bracket (#4) to the Gobi light bar fairing slots at the ends of the Gobi light bar (#5) and insert the 1/4" screw and washer through the fairing bracket (#4) then through the Gobi light bar slot and secure the fairing in place with a 1/4" washer and lock nut. Proceed to the opposite side and continue attaching the fairing in the same manner. Be sure that the fairing throughout its length is making contact with the roof top as snug as possible, fairing brackets may need to be adjusted either up or down and in some cases you may bend the fairing bracket to accommodate the final result. If a slight gap should appear between the vehicle roof and the bottom center of the fairing loosen the center fairing bracket and allow the bracket to relax and the center of the fairing will make contact with the roof line. Once the fairing is in the proper position tighten all fairing brackets screws firmly. Roof rack installation is complete.

## GOBI TOYOTA 4 RUNNER 3RD GEN ROOF RACK INSTALLATION INSTRUCTIONS

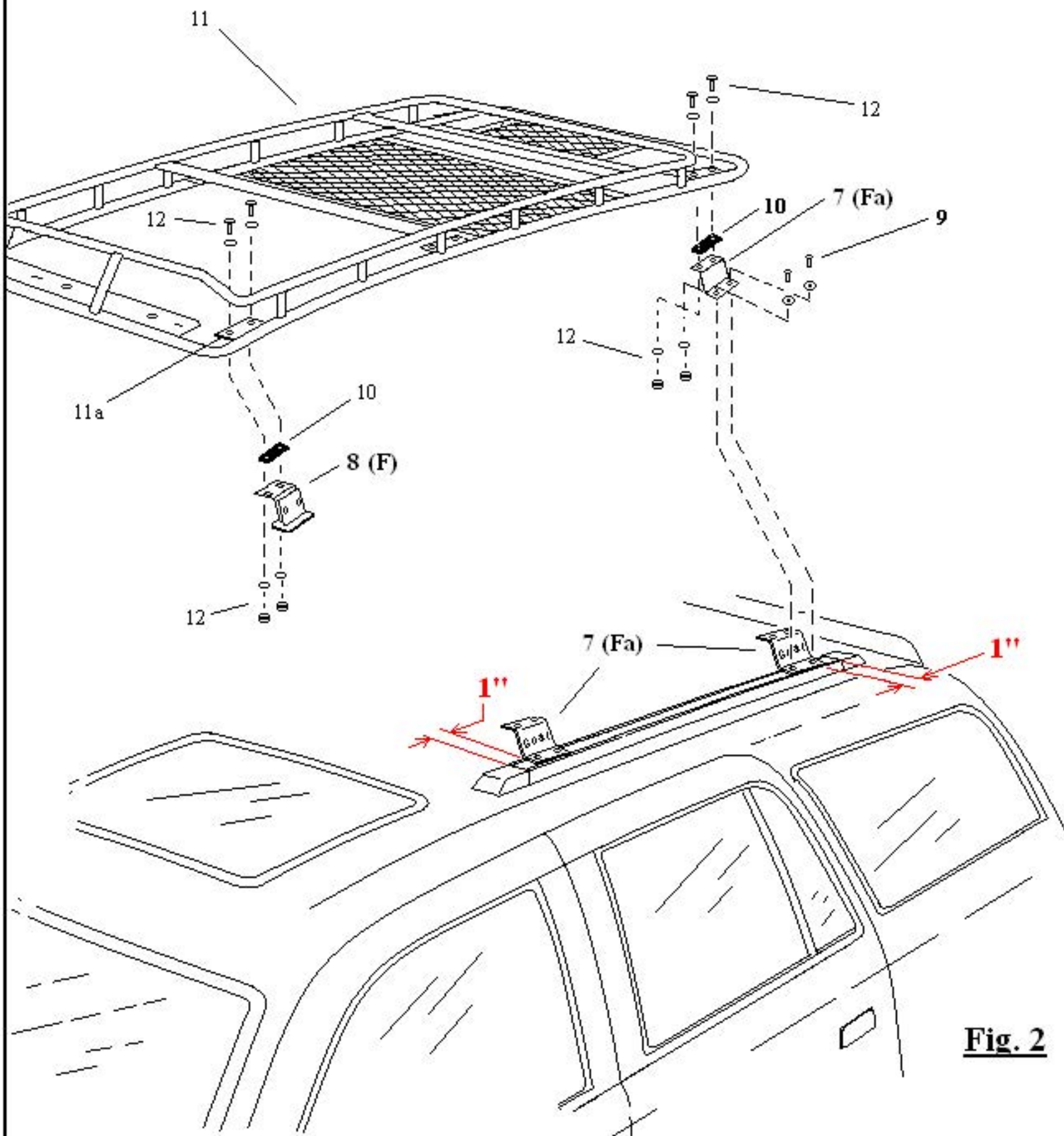


**Fig. 1a**



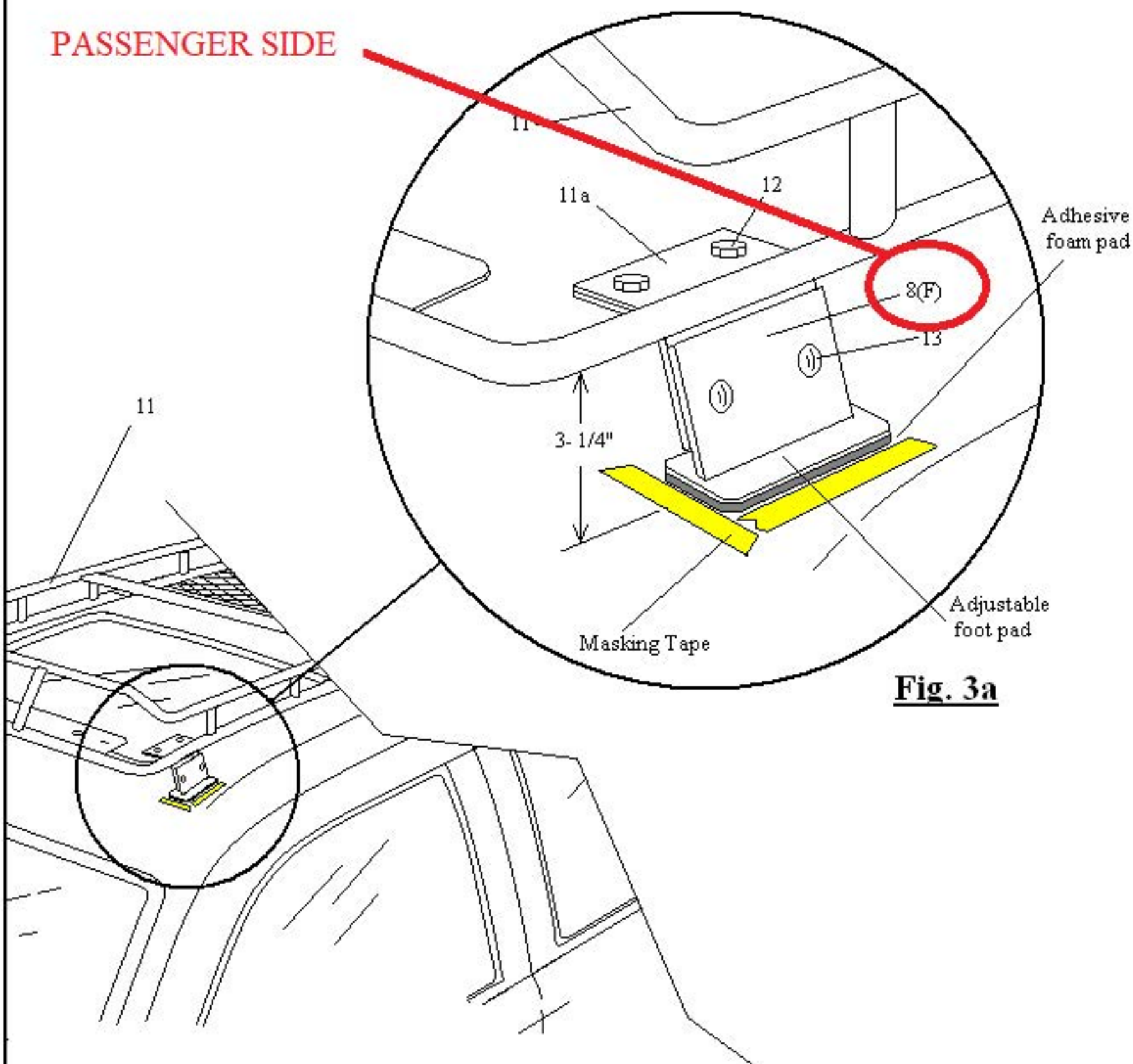
**Fig. 1**

## GOBI TOYOTA 4 RUNNER 3RD GEN ROOF RACK INSTALLATION INSTRUCTIONS

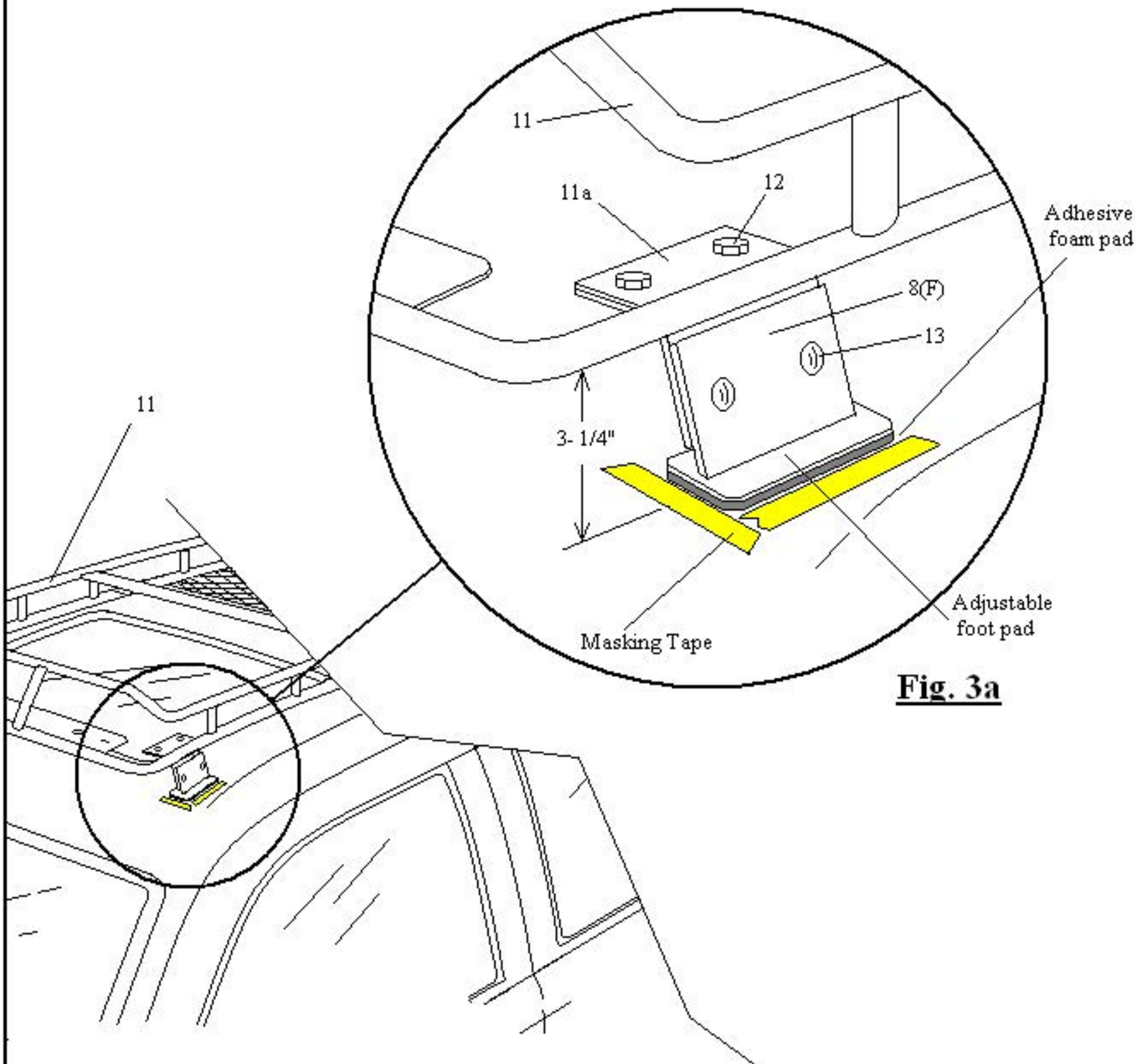
**Fig. 2**

## GOBI TOYOTA 4 RUNNER 3RD GEN ROOF RACK INSTALLATION INSTRUCTIONS

PASSENGER SIDE



## GOBI TOYOTA 4 RUNNER 3RD GEN ROOF RACK INSTALLATION INSTRUCTIONS



**Fig. 3a**

**Fig. 3**



## GOBI TOYOTA 4 RUNNER 3RD GEN ROOF RACK INSTALLATION INSTRUCTIONS

