

GOBI JEEP GRAND WAGONEER 2022 ROOF RACK INSTALLATION INSTRUCTIONS

Guidelines:

When using Load Carriers and Accessories, the user must understand the precautions. The points listed below will assist you in using the rack /carrier system and will encourage safety.

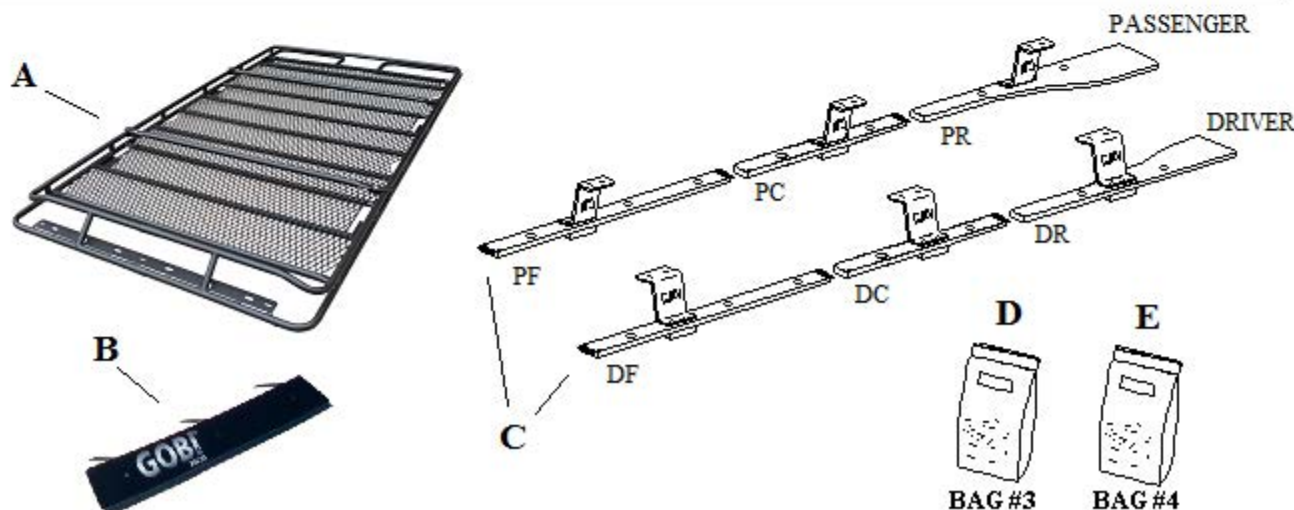
- For quality fits and safty, use only the recommended rack or accessory. Do not assume an accessory will fit, always check with dealer when obtaining new accessories. Use only approved accessories on load carriers. Using other brands will void your warrenty.
- Make sure all knobs, bolts, screws, straps, and locks are firmly attached, tightened and locked before every trip. Knobs, bolts, screws, straps, and locks must be periodically inspected for signs of wear, corrosion, and fatigue. Check your load at stops during the trip to insure continued fastening security.
- Check local and state laws governing projection of objects beyound the width of a vehicle. **Be aware of the width and height of your cargo since low clearance branches, bridges, and parking garages can affect the load** All cargo will affect the vehicle's driving behavior. Never drive with any lock, know, or rack in an open or unlocked position. All long loads such as, but not limited to sailboards, surfboards, kayaks, canoes, and lumber must be tied down front and rear to the bumpers or tow hooks, of the vehicle.
- Remove your rack accessories when they are not in use, before intering car washes, prior to taking in your vehicle for service, and whenever clearance may be an issue.
- All locks must be turned and moved periodically to insure smooth operation. Use graphite or similar dry lubricant to help this. Locks are designed to deter vandalism and theft. Remove valuable gear if your vehicle is unattended for an extended period. Place at least one key in the glove compartment.
- For safety to your vehicle and rack system, obey all posted speed limits and traffic cautions. Adapt your speed to the conditions of the road and the load being carried.
- Do not use load carriers and accessories for purposes other than those for which they were designed. Do not exceed their carrying capacity.
- Consult with your dealer if you have any questions regarding the operations and limits of this product. Review all instructions carefully.

CAUTION: USE ANTI-SEIZE LUBRICANT ON ALL SCREWS

GOBI JEEP GRAND WAGONEER 2022 ROOF RACK INSTALLATION INSTRUCTIONS

Included in kit

LETTER	DESCRIPTION	LOCATION	QUANTITY
A	GOBI JEEP GRAND WAGONEER 2022 ROOF RACK	Main box	1
B	<p>WIND DEFLECTOR COMPLETE</p> <p><u>CONTENTS:</u></p> <p>1- Wind Deflector aluminum black powder coated (strapped to roof rack)</p> <p>3- Wind deflector mounting brackets 65° pre-assembled to wind deflector</p> <p>1- Wind deflector clear wear strip packed in roll form (inside Bag #2)</p> <p>3- 1/4-20 x 3/4" Button head screw SS (inside Bag #2)</p> <p>6- 1/4" I.D. x 1/2" O.D. black nylon round washer (inside Bag #2)</p> <p>3- 1/4" Nylock nut SS (inside Bag #2)</p> <p>Wind deflector installation instructions inside Bag #2</p>	Wind deflector complete banded to roof rack including Bag #2	1
C	<p>3- Driver side Gobi rack support bracket assemblies</p> <p>3- Passenger side Gobi rack support bracket assemblies</p>	Hardware box	6
D	<p>GOBI RACK MOUNTING HARDWARE</p> <p><u>CONTENTS:</u> 14- 3/8" SS flat washer (37RWC53)</p> <p>14- Nylon spacer (13RS071821B)</p> <p>1- 5mm Allen wrench</p> <p>1- 3/16" Allen wrench</p>	BAG #3 Hardware Box	1
E	<p>GOBI RACK SUPPORT BRACKET HARDWARE</p> <p><u>CONTENTS:</u> 12- 3/8-16x1" Hex head bolt SS</p> <p>24- 3/8" Flat washer SS</p> <p>12- 3/8" Nylock nut SS</p> <p>6- Black rubber pad</p> <p>1- Anti-seize lubricant</p>	BAG #4 Hardware Box	1



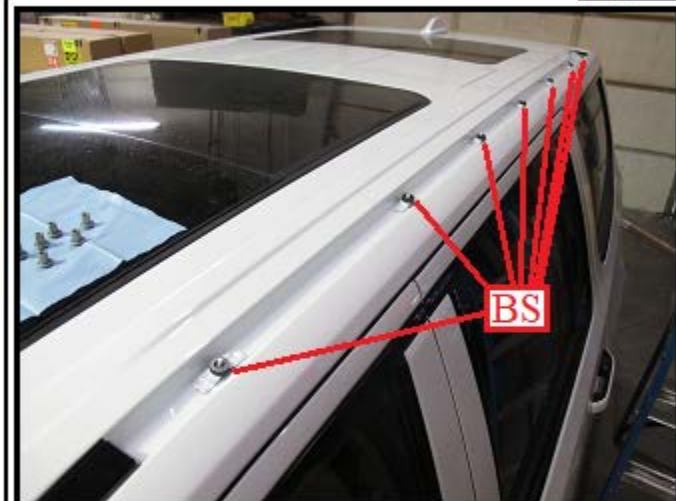
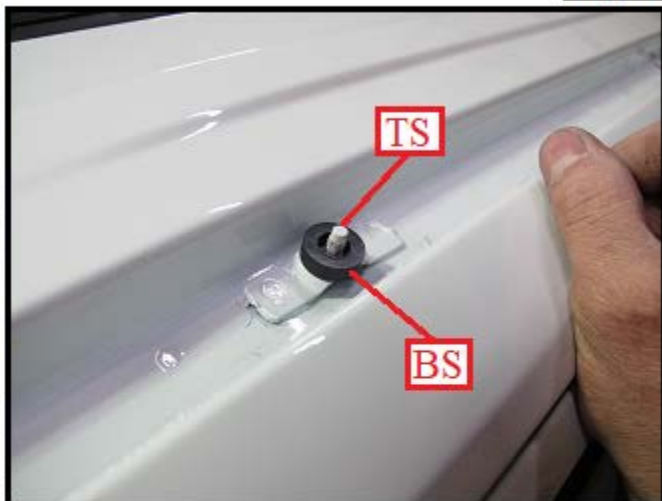
GOBI JEEP GRAND WAGONEER 2022 ROOF RACK INSTALLATION INSTRUCTIONS

Fig. 1**Fig. 2****Fig. 3**

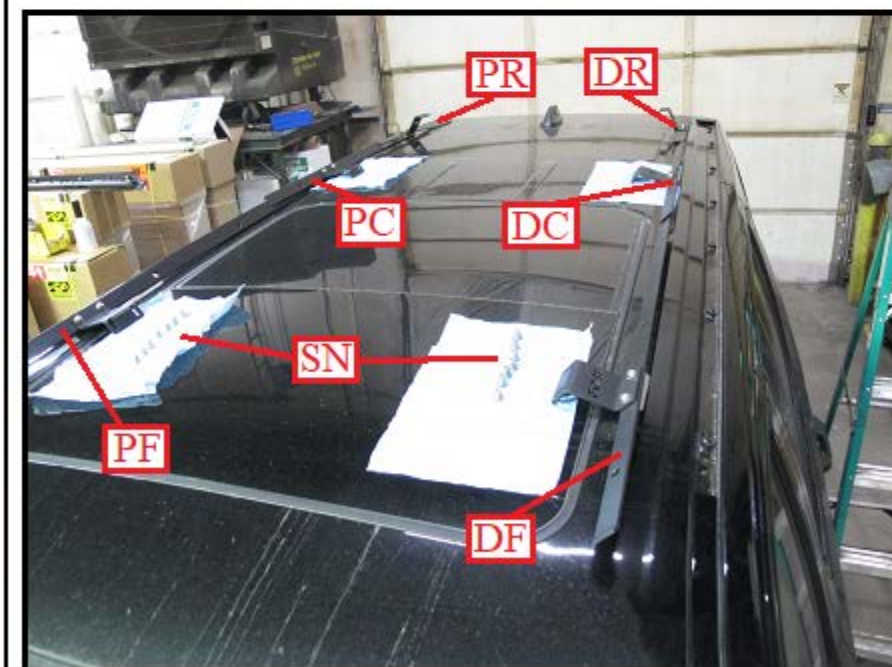
As shown in Fig. 1 by red arrows, pull straight up on the top portion of rail cover (RC) of the roof top rail to remove the cover. Fig. 2 and Fig. 3 shows a close up view of the clip (CL) holding the top rail cover (RC) in place.

Fig. 4**Fig. 5**

As shown in Fig. 4 and Fig. 5, use a 5mm Allen wrench supplied in Bag #3 of your hardware kit and remove all seven metric sleeve nuts (SN) and place them on the roof top as shown in Fig. 5 as they will be needed shortly. Then pull up on main roof top rail base (RB) shown by red arrows and set aside as they are no longer needed. Apply the same procedure to the opposite side.

**GOBI JEEP GRAND WAGONEER 2022 ROOF RACK
INSTALLATION INSTRUCTIONS****Fig. 6****Fig. 7**

As shown in Fig. 6 and Fig. 7 place seven black nylon spacers (BS), located in Bag #3 onto each threaded stud (TS) both driver and passenger sides.

**Fig. 8**

As shown in Fig. 8 place all support bracket assemblies, three per side onto the roof top next to where the OEM rails were removed in the order shown.

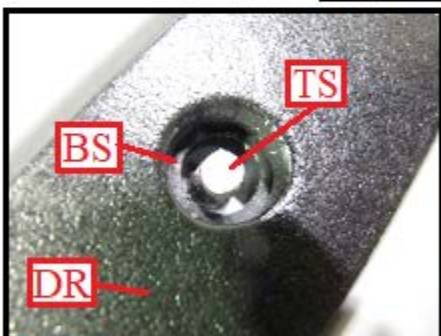
SUPPORT BRACKET ASSY. ORDER:

DF: Driver front
DC: Driver center
DR: Driver rear
PF: Passenger front
PC: Passenger center
PR: Passenger rear
SN: Sleeve nuts

GOBI JEEP GRAND WAGONEER 2022 ROOF RACK INSTALLATION INSTRUCTIONS

Fig. 9**Fig. 10****Fig. 11**

As shown in Fig. 9 and Fig. 10, remove the Driver side rear support bracket assembly (DR) from the roof top and set over the last two threaded studs (TS) and over the black nylon spacer (BS). As shown in Fig. 11, the plastic spacer (BS) will be off center to the hole in bracket assembly (DR). Use a thin bladed screw driver or similar tool to center up the black nylon spacer to match as much as possible bracket assembly (DR) as shown in Fig. 12.

Fig. 12**Fig. 13****Fig. 14**

As shown in Fig. 12, 13 and Fig. 14, once the black nylon spacer (BS) is aligned. Thread onto the two threaded studs (TS) and into bracket assembly (DR) sleeve nut (SN) and one flat 3/8" washer (W) located in Bag #3 of your hardware kit. Finger tighten both sleeve nuts only at this time.

GOBI JEEP GRAND WAGONEER 2022 ROOF RACK INSTALLATION INSTRUCTIONS

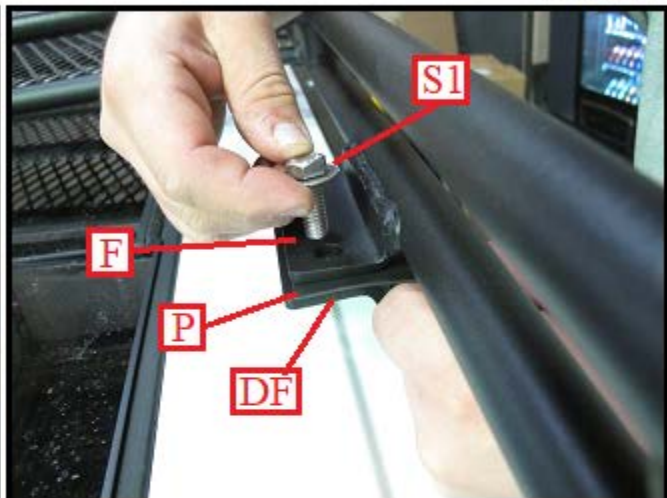
**Fig. 15**

As shown in Fig. 15, fully tighten all driver side sleeve nuts (SN) using the 5mm Allen wrench located in Bag #3 of your hardware kit. Apply the same procedure to the opposite side.

Fig. 16**Fig. 17**

As shown in Fig. 16 and Fig. 17, with the help of some friends. Place Gobi rack (A) over all support brackets previously installed.

GOBI JEEP GRAND WAGONEER 2022 ROOF RACK INSTALLATION INSTRUCTIONS

Fig. 18**Fig. 19**

As shown in Fig. 18, place a rubber pad (P) located in Bag #4 of your hardware kit between support bracket (DF) and roof rack flange (F). Then as shown in Fig. 19, slide one 3/8-16 x 1" hex head screw and one 3/8" flat washer (S1) through roof rack flange (F), down through rubber pad (P) and into support bracket (DF).

Fig. 20**Fig. 21**

As shown in Fig. 20, by a red arrow, swing rubber pad (P) around to the second open hole in Flange (F) and slide one 3/8-16 x 1" hex head screw and one 3/8" flat washer (S1) down through flange (F) as was previously done in Fig. 19. Thread on from the underside one, 3/8" nylock nut and one 3/8" flat washer (S2) and finger tighten as shown in Fig. 21. Apply the same procedure to the remaining five support brackets. Do not fully tighten at this time.

GOBI JEEP GRAND WAGONEER 2022 ROOF RACK INSTALLATION INSTRUCTIONS



Fig. 22

As shown in Fig. 22, fully tighten all 6-roof rack support bracket button head screws (S3) using a 3/16" Allen wrench supplied in Bag #3.



Fig. 23

As shown in Fig. 23 tighten all roof rack flange hex head screws (S1) using two 9/16" open or closed end wrenches.

For wind deflector installation refer to wind deflector installation instructions located in your hardware Bag #2 strapped to wind deflector.

GOBI JEEP GRAND WAGONEER 2022 ROOF RACK INSTALLATION INSTRUCTIONS



GOBI JEEP WAGONEER ROOF RACK INSTALLATION COMPLETED

Max suggested cargo load limit for on Highway and off-road driving: 300 lbs.

Max suggested load limit for static or nonmoving loads, typically roof top tents and occupants: 800 lbs.

Wind deflector installation instructions are located in Bag #2 strapped to wind deflector, tied to roof rack. Once you have installed the Gobi wind deflector as shown in the Gobi wind deflector instructions the Gobi rack install will be completed.