

GOBI TOYOTA 4 RUNNER 2010-23 5TH GEN REAR DOOR LADDER INSTALLATION INSTRUCTIONS

The Gobi ladder must be inspected before each use to make certain attachments are secure, and for evidence of Wear. Misuse of the ladder or failure to observe the manufacturer's instructions as to installation, proper Attachment and maintenance will void any warranties that may be implied by law.

CAUTION

**"LADDER IS TO BE TRAVERSED UPON
ONLY
WHEN THE REAR DOOR IS FULLY
CLOSED AND LOCKED"**

CAUTION: Make certain to apply Anti-Seize to all screws

GOBI TOYOTA 4 RUNNER 2010-23 5TH GEN REAR DOOR LADDER INSTALLATION INSTRUCTIONS

Guidelines:

When using Load Carriers and Accessories, the user must understand the precautions. The points listed below will assist you in using the rack /carrier system and will encourage safety.

- For quality fits and safety, use only the recommended rack or accessory. Do not assume an accessory will fit, always check with dealer when obtaining new accessories. Use only approved accessories on load carriers. Using other brands will void your warranty.
- Make sure all knobs, bolts, screws, straps, and locks are firmly attached, tightened and locked before every trip. Knobs, bolts, screws, straps, and locks must be periodically inspected for signs of wear, corrosion, and fatigue. Check your load at stops during the trip to insure continued fastening security.
- Check local and state laws governing projection of objects beyond the width of a vehicle. **Be aware of the width and height of your cargo since low clearance branches, bridges, and parking garages can affect the load** All cargo will affect the vehicle's driving behavior. Never drive with any lock, knob, or rack in an open or unlocked position. All long loads such as, but not limited to sailboards, surfboards, kayaks, canoes, and lumber must be tied down front and rear to the bumpers or tow hooks, of the vehicle.
- Remove your rack accessories when they are not in use, before entering car washes, prior to taking in your vehicle for service, and whenever clearance may be an issue.
- All locks must be turned and moved periodically to insure smooth operation. Use graphite or similar dry lubricant to help this. Locks are designed to deter vandalism and theft. Remove valuable gear if your vehicle is unattended for an extended period. Place at least one key in the glove compartment.
- For safety to your vehicle and rack system, obey all posted speed limits and traffic cautions. Adapt your speed to the conditions of the road and the load being carried.
- Do not use load carriers and accessories for purposes other than those for which they were designed. Do not exceed their carrying capacity.
- Consult with your dealer if you have any questions regarding the operations and limits of this product. Review all instructions carefully.

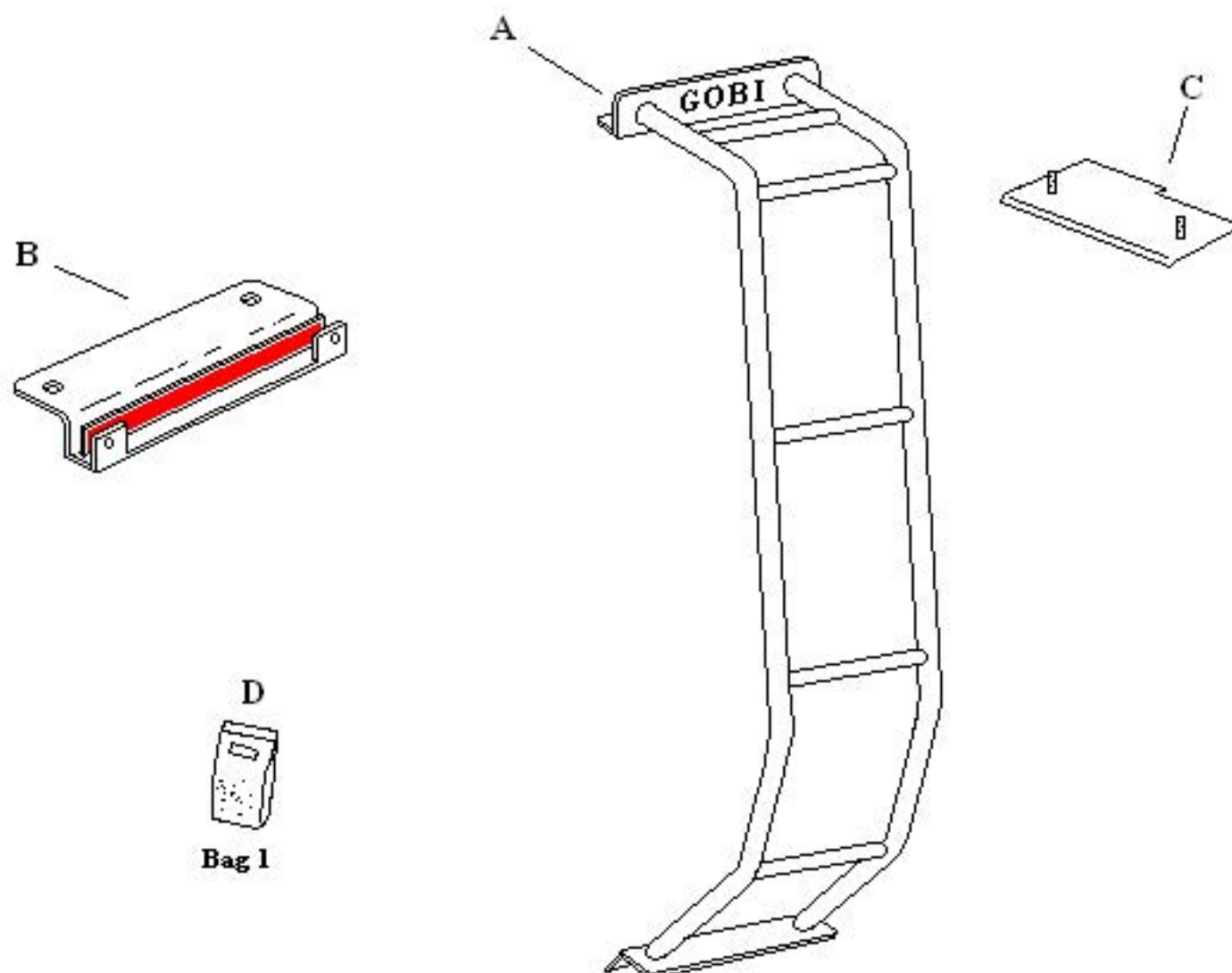
CAUTION: Make certain to apply Anti-Seize to all screws

GOBI TOYOTA 4 RUNNER 2010-23 5TH GEN REAR DOOR LADDER INSTALLATION INSTRUCTIONS

Included in kit

Letter	Description	Location	Quantity
A	GOBI 4 RUNNER 2010-19 REAR DOOR LADDER	Main box	1
B	LOWER LADDER CLAMP	strapped to ladder	1
C	LADDER HANGER BRACKET	strapped to ladder	1
D	<p>GOBI LADDER MOUNTING HARDWARE</p> <p>CONTENTS: 2- 5/16" Nylock nuts SS 2- 5/16" Lock washer SS 2- 3/8" Flat washer SS 1- 3/16" Allen wrench 1- 1/8" Allen wrench</p> <p>2- 5/16" x 1" Button head screws SS 2- 5/16" Flat washers SS 2- 5/16" Lock washers SS</p>	BAG #1	1

Pre-assembled to bottom of ladder



GOBI TOYOTA 4 RUNNER 2010-23 5TH GEN REAR DOOR LADDER

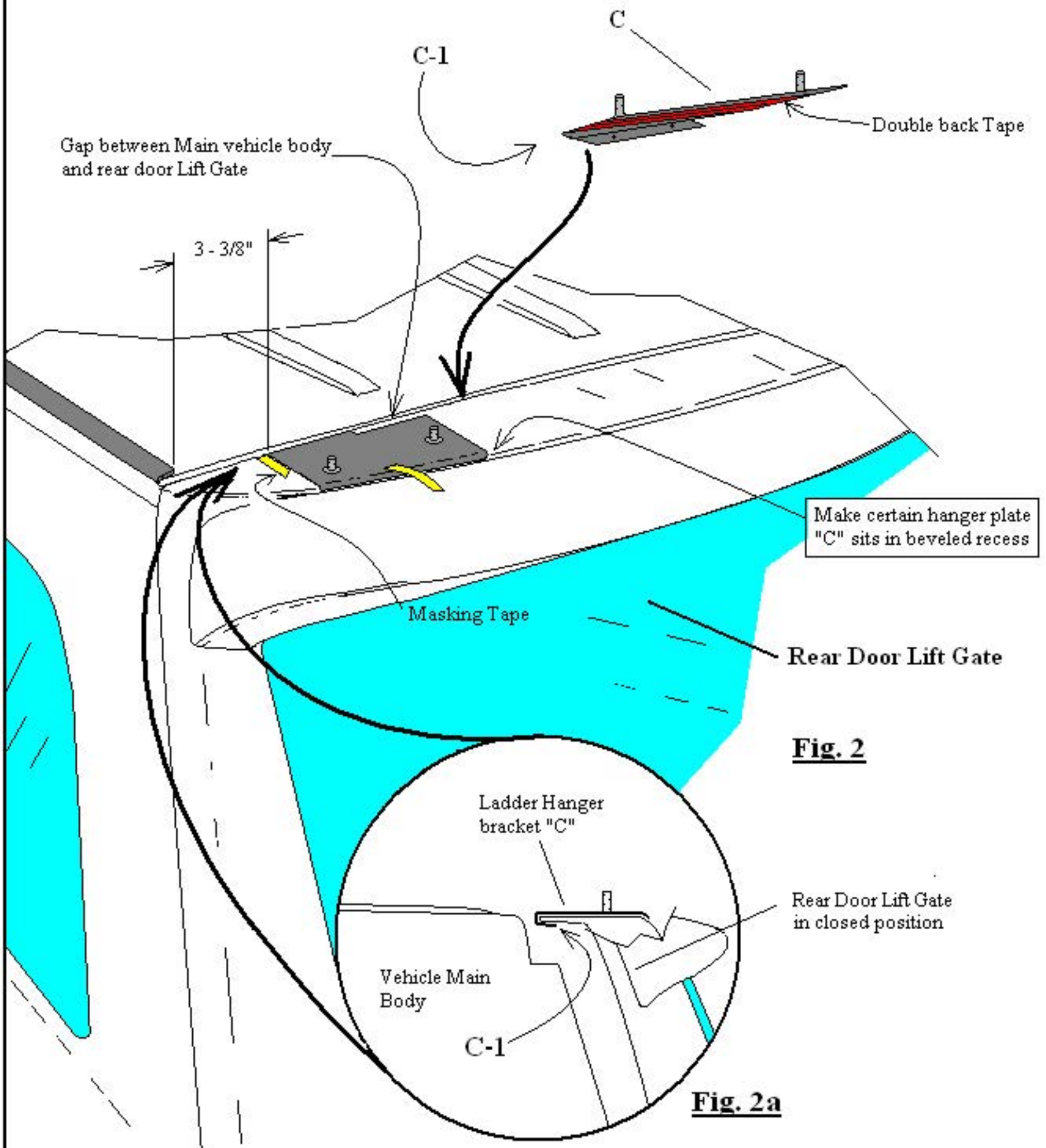
INSTALLATION INSTRUCTIONS

The Gobi ladder must be inspected before each use to make certain attachments are secure, and for evidence of Wear. Misuse of the ladder or failure to observe the manufacturer's instructions as to installation, proper Attachment and maintenance will void any warranties that may be implied by law.

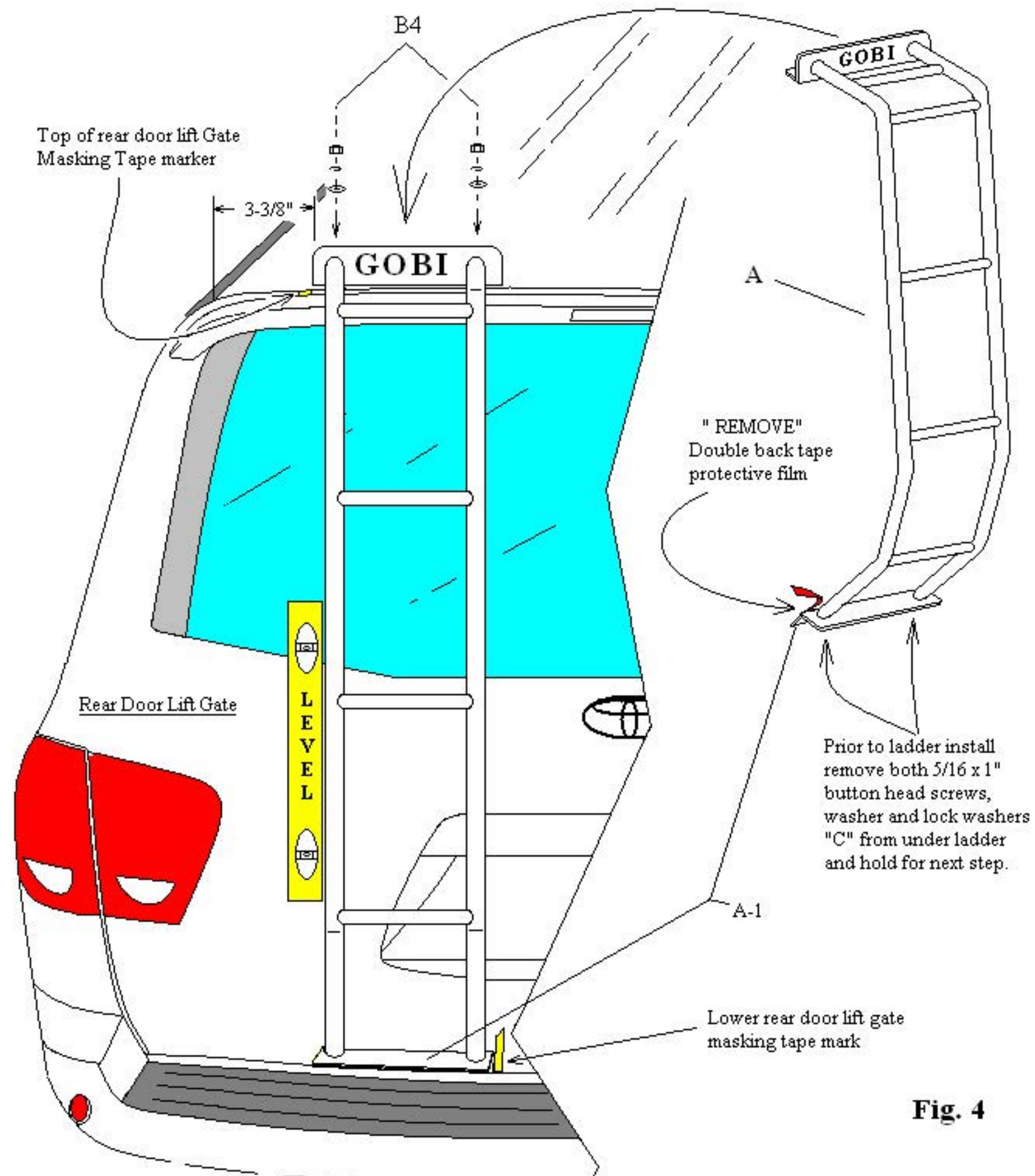
INSTALLATION INSTRUCTIONS:

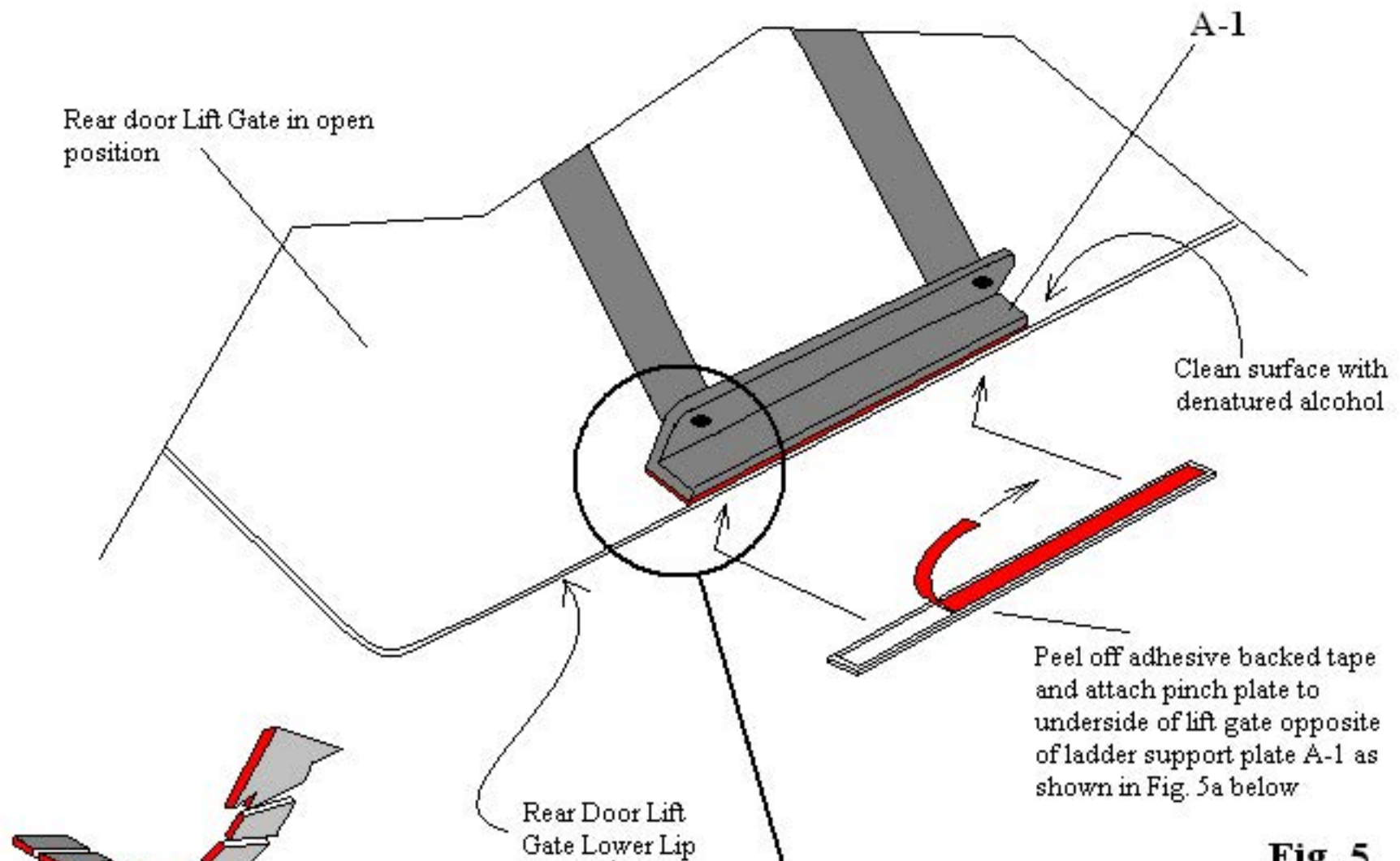
- 1- Prior to install read all instructions carefully then refer back to page 3 and make certain all parts are present before installation.
- 2- Refer to page 5 using masking tape or the like attach a piece of tape as shown in Fig. 2 at the top of the rear door lift gate approximately (3- 3/8") from the driver side outer roof top rubber molding edge.
- 3- Refer to page 3 and remove ladder hanger bracket "C" from your parts kit. *"Do not peel off the double back protective film at this time"*. Refer to page 5 carefully slide hanger bracket "C" as shown in Fig. 2 and exploded view Fig. 2a between the gap of the upper rear door lift gate and the main vehicle body. Once bracket "C" has been slipped into the gap align the left edge of the ladder hanger bracket with the masking tape mark and pull the hanger bracket "C" so that the inside edge "C-1" is up against the rear lift gate door edge as shown in exploded view Fig. 2a. Use an additional piece of masking tape to hold down bracket "C" from moving temporarily at this time.
- 4- Refer to page 6 attach ladder "A" on to upper ladder hanger plate "C" as shown *"Do not peel off double back protective film at this time"*. Visually align the ladder so that it hangs vertically straight up and down. You may want to use a level for accuracy if desired so that the ladder does not appear slanted. Once you have confirmed that the position of the ladder is vertically straight place a piece of masking tape at the bottom driver or passenger side edge of ladder "A-1" as shown in Fig. 4. After the masking tape mark is applied remove ladder "A" from the rear door.
- 5- Refer to page 5 and remove the ladder hanger bracket "C" from the door, clean the surface area where the ladder hanger bracket is to be attached with denatured alcohol. Peel off the protective double back tape film and re-fit ladder hanger bracket "C" back in place and be sure that the inner edge "C-1" is in full contact with the rear door lift gate's upper edge as shown in Fig. 2a. Once in place press down firmly and hold for at least 30 seconds.
- 6- Refer to page 7 Fig. 5 and Fig. 5a remove from your hardware kit lower ladder clamp "B". Remove from the lower ladder clamp "B" a (1/2" x 10") aluminum pinch plate with double back tape attached. As shown in Fig. 5 and Fig. 5a clean the area on the outside and inside bottom lower lip of the rear door lift gate where the ladder was previously placed with denatured alcohol then peel off the double back tape from the aluminum pinch plate and attach to the inside door's lower lip as shown in Fig. 5a.
- 7- Refer to page 8 and remove the two 5/16-18x1" button head screws, lock washers and flat washers "C" from the bottom of the ladder using the 3/16" Allen wrench supplied in your kit and place nearby as they will be needed shortly. Refer to page 6 and remove the double back protective film from the bottom of the ladder "A-1" then re-install ladder "A" back onto the hanger plate "C" as before. As you lower ladder "A" onto the rear door lift gate pull down firmly as you align the lower ladder plate "A-1" to the masking tape marker previously made. With the help of another person keep lower ladder plate "A-1" in line with the bottom lower lift gate lip and hold in place for 30 seconds.
- 8- Refer to page 8 Fig 6 and Fig. 6a with the help of another person while still holding the ladder against the lift gate rear door, open lift gate and install clamp "B" to the bottom of ladder "A-1" and rear door lift gate as shown in Fig 6. Thread the two 5/16-18 x 1" button head screws, lock washers and flat washer just recently removed back into the bottom of the ladder using the 3/16" Allen wrench and fully tighten at this time. Continue to the inside of clamp "B" and fully tighten screws "B-3" using the 1/8" Allen wrench supplied in your kit as shown in Fig 6a.
- 9- Refer to page 6 Fig. 4 and install washers, lock washers and nuts "B-4" to the upper hanger bracket as shown in Fig. 4 and fully tighten, *"Do not over tighten"*. Remove all previously applied masking tape markers. Installation is now completed.
- 10- If you should experience a slow lifting of the rear door lift gate with the added weight of the ladder a stronger gas spring is available upon request.

GOBI TOYOTA 4 RUNNER 2010-23 5TH GEN REAR DOOR LADDER INSTALLATION INSTRUCTIONS

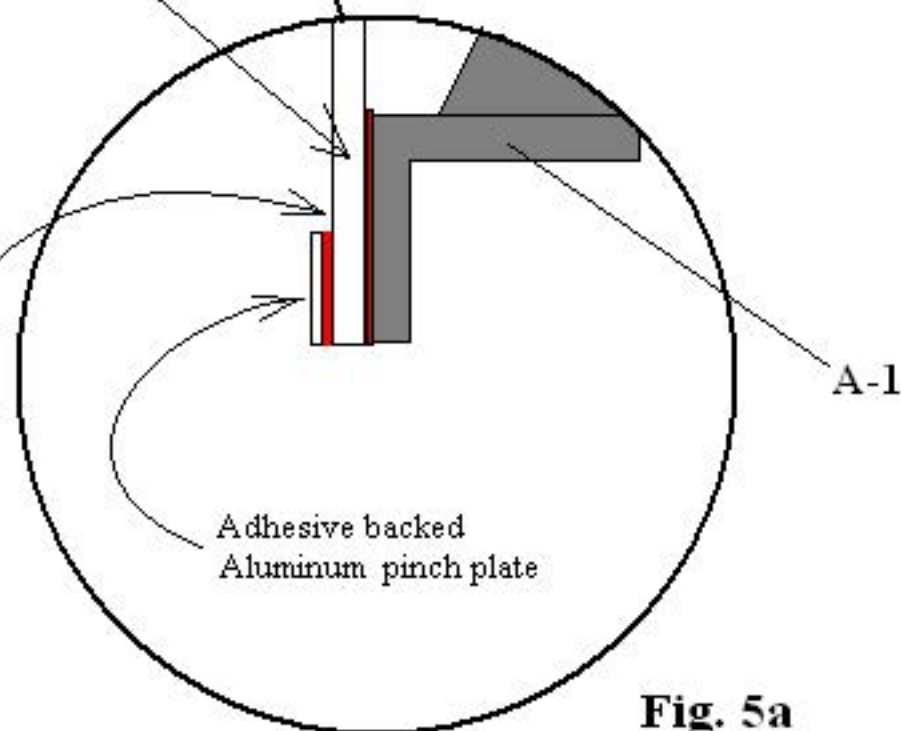


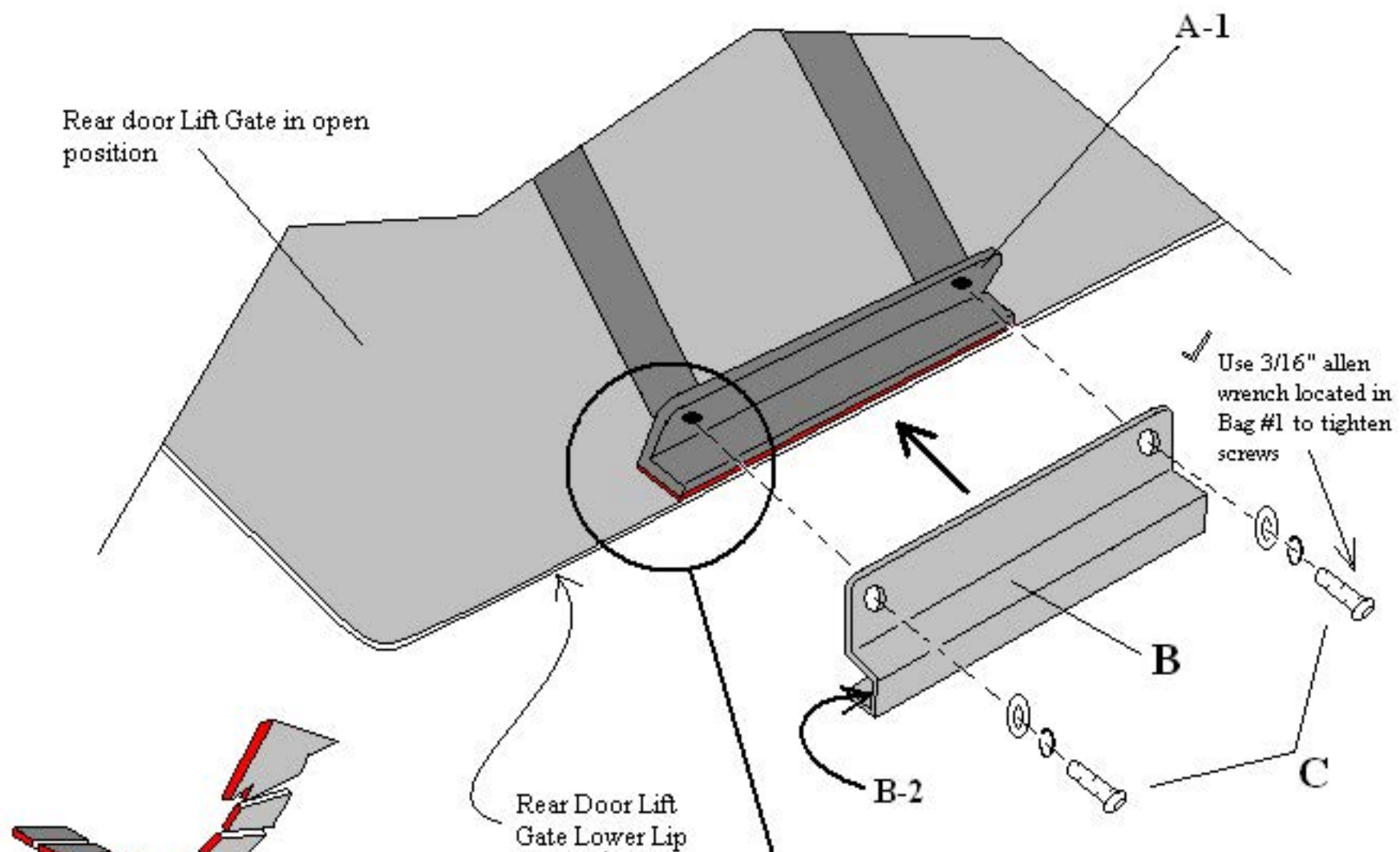
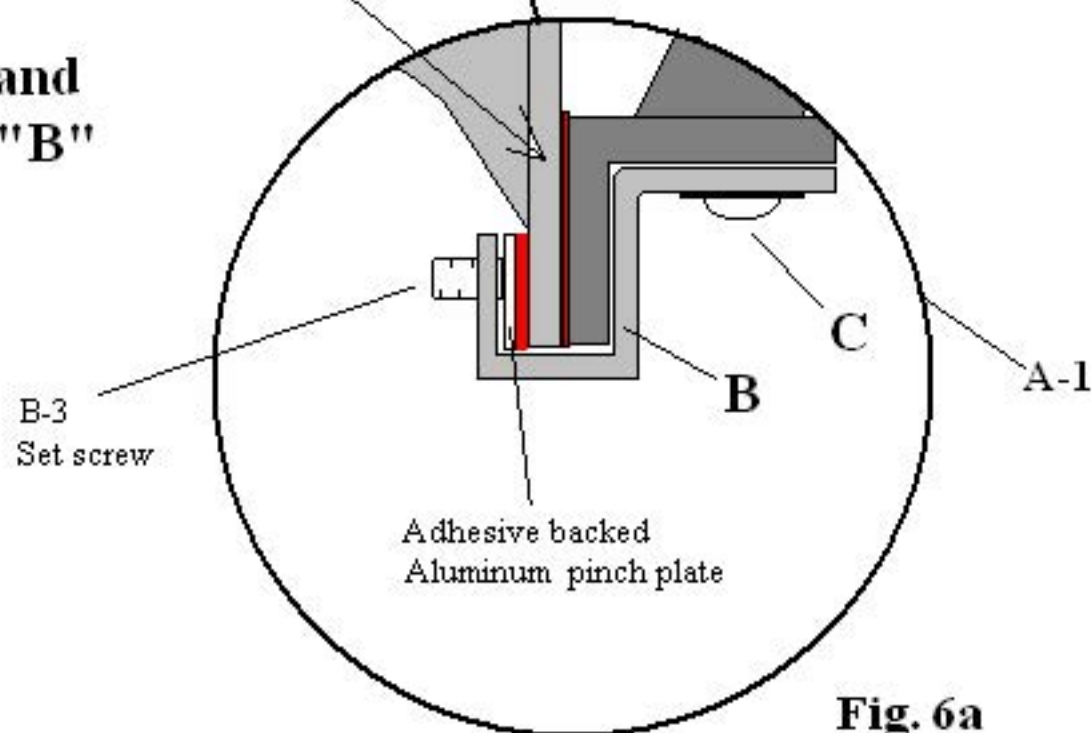
GOBI TOYOTA 4 RUNNER 2010-23 5TH GEN REAR DOOR LADDER INSTALLATION INSTRUCTIONS



**GOBI TOYOTA 4 RUNNER 2010-23 5TH GEN REAR DOOR LADDER
INSTALLATION INSTRUCTIONS****Rear Door Open and Lifted for Clamp "B" installation**

Clean the pinch plate contact area with denatured alcohol prior to install.



**GOBI TOYOTA 4 RUNNER 2010-23 5TH GEN REAR DOOR LADDER
INSTALLATION INSTRUCTIONS****Rear Door Open and Lifted for Clamp "B" installation****INSTALLATION COMPLETED**