

GOBI JEEP GRAND CHEROKEE WL 3ROW WIND DEFLECTOR INSTALLATION INSTRUCTIONS

Guidelines:

When using Load Carriers and Accessories, the user must understand the precautions. The points listed below will assist you in using the rack /carrier system and will encourage safety.

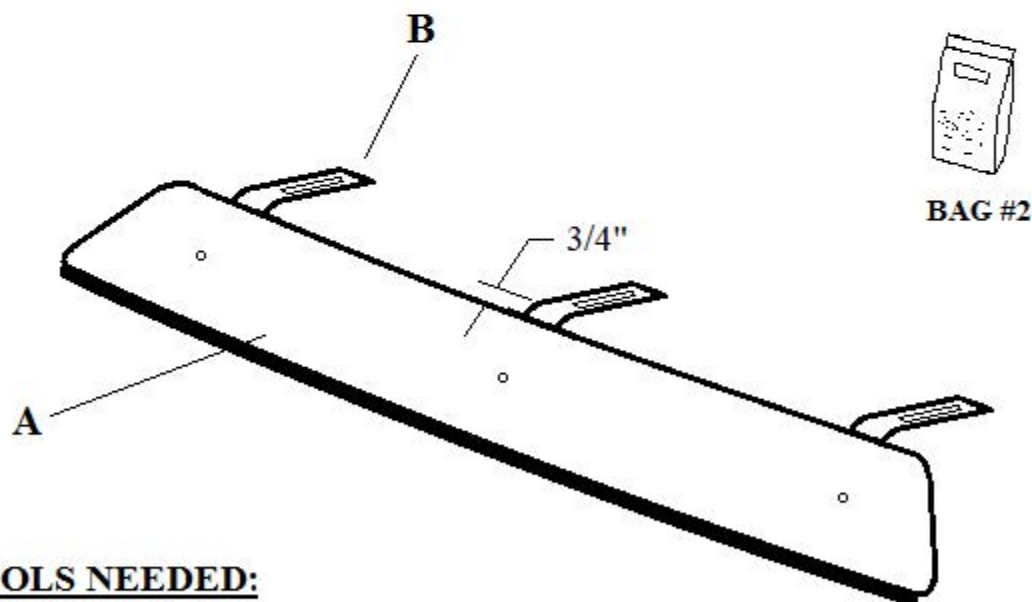
- For quality fits and safety, use only the recommended rack or accessory. Do not assume an accessory will fit, always check with dealer when obtaining new accessories. Use only approved accessories on load carriers. Using other brands will void your warranty.
- Make sure all knobs, bolts, screws, straps, and locks are firmly attached, tightened and locked before every trip. Knobs, bolts, screws, straps, and locks must be periodically inspected for signs of wear, corrosion, and fatigue. Check your load at stops during the trip to insure continued fastening security.
- Check local and state laws governing projection of objects beyond the width of a vehicle. **Be aware of the width and height of your cargo since low clearance branches, bridges, and parking garages can affect the load** All cargo will affect the vehicle's driving behavior. Never drive with any lock, knob, or rack in an open or unlocked position. All long loads such as, but not limited to sailboards, surfboards, kayaks, canoes, and lumber must be tied down front and rear to the bumpers or tow hooks, of the vehicle.
- Remove your rack accessories when they are not in use, before entering car washes, prior to taking in your vehicle for service, and whenever clearance may be an issue.
- All locks must be turned and moved periodically to insure smooth operation. Use graphite or similar dry lubricant to help this. Locks are designed to deter vandalism and theft. Remove valuable gear if your vehicle is unattended for an extended period. Place at least one key in the glove compartment.
- For safety to your vehicle and rack system, obey all posted speed limits and traffic cautions. Adapt your speed to the conditions of the road and the load being carried.
- Do not use load carriers and accessories for purposes other than those for which they were designed. Do not exceed their carrying capacity.
- Consult with your dealer if you have any questions regarding the operations and limits of this product. Review all instructions carefully.

CAUTION: USE ANTI-SEIZE LUBRICANT ON ALL SCREWS

GOBI JEEP GRAND CHEROKEE WL 3ROW WIND DEFLECTOR INSTALLATION INSTRUCTIONS

Included in kit

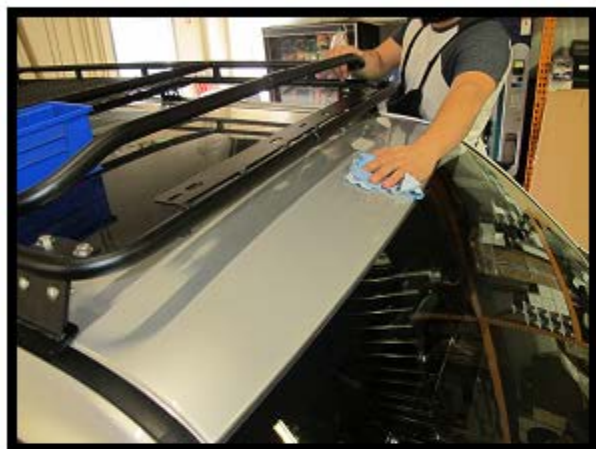
Letter	Description	Location	Quantity
A	WIND DEFLECTOR WITH RUBBER SEAL	Strapped to rack	1
B	WIND DEFLECTOR SUPPORT BRACKETS 65°	Inside Bag #2	3
C	WIND DEFLECTOR MOUNTING HARDWARE CONTENTS: 6- 1/4-20 x 3/4" SS Button head screw 12- Nylon black round flat washers 6- 1/4-20 SS Nylock nuts 1- 2" x 47" Wind deflector roof top clear tape 1- Package Anti-Seize lubricant	BAG #2 Strapped to Wind deflector	1

**TOOLS NEEDED:**

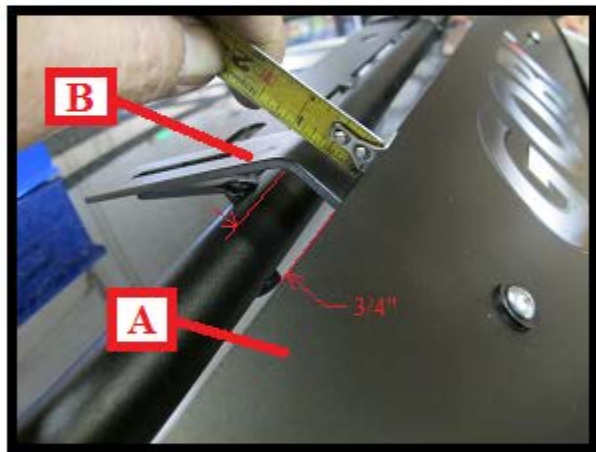
- 1- 7/16" BOX END WRENCH
- 1- 5/32" ALLEN WRENCH
- 1- 1" WIDE MASKING TAPE

CAUTION: USE ANTI-SEIZE LUBRICANT ON ALL SCREWS

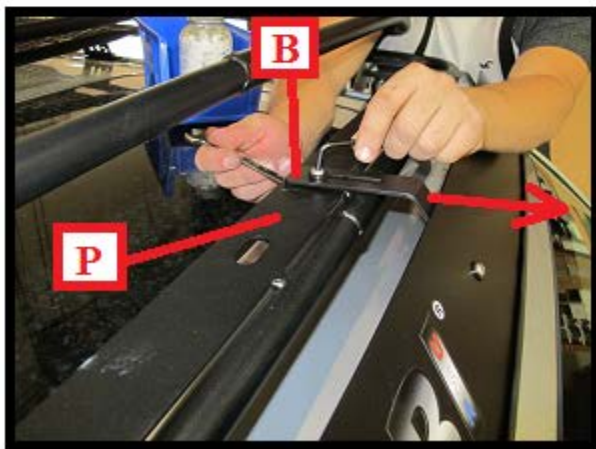
GOBI JEEP GRAND CHEROKEE WL 3ROW WIND DEFLECTOR INSTALLATION INSTRUCTIONS

**Fig. 1**

After the Gobi roof rack has been installed clean the surface of the roof top from the top of the windshield to about 5 inches above the windshield with denatured alcohol or a cleaner without ammonia.

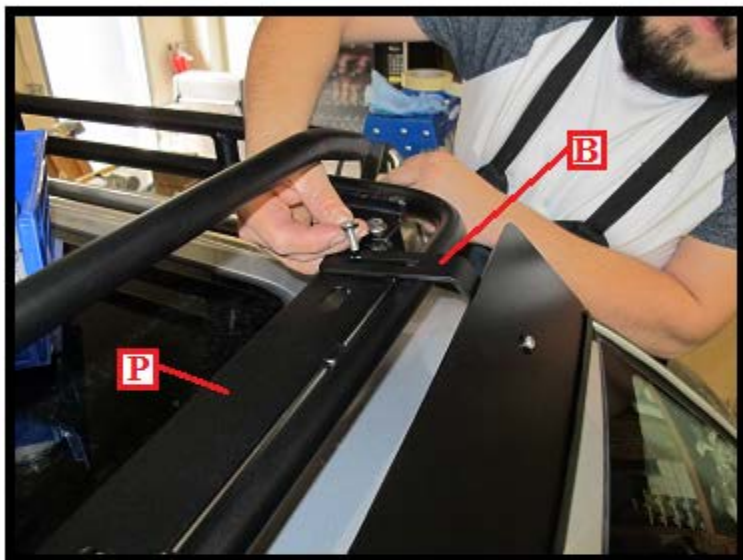
**Fig. 2**

Install all 3 wind deflector support brackets (B) to your wind deflector (A) as shown in Fig. 2 and position the bent portion of the bracket approximately 3/4" above the top of the wind deflector as shown. Use attachment hardware located in Bag #2 of your hardware kit.

**Fig. 3**

First attach the center support bracket (B) to the center slot of the roof rack's light bar mount plate (P). Make certain to slide the support bracket fully forward as shown by the red arrow then fully tighten the wind deflector support bracket to light bar (P).

GOBI JEEP GRAND CHEROKEE WL 3ROW WIND DEFLECTOR INSTALLATION INSTRUCTIONS

**Fig. 4**

Slide the driver side end wind deflector support bracket (B) over the top of mount plate (P) and align with the small slot at the end of mount plate (P) as shown. Thread one 1/4-20 x 3/4" button head screw and black nylon washer into bracket (B) then through mount plate (P) end slot. Use a black nylon washer 1/4" nylock nut and finger tighten only on the underside.

Do not fully tighten. Support bracket (B) will be at a slight angle at this point this is normal. Snug down screw and nut until the bracket is flat on plate (P). But do not fully tighten at this time.

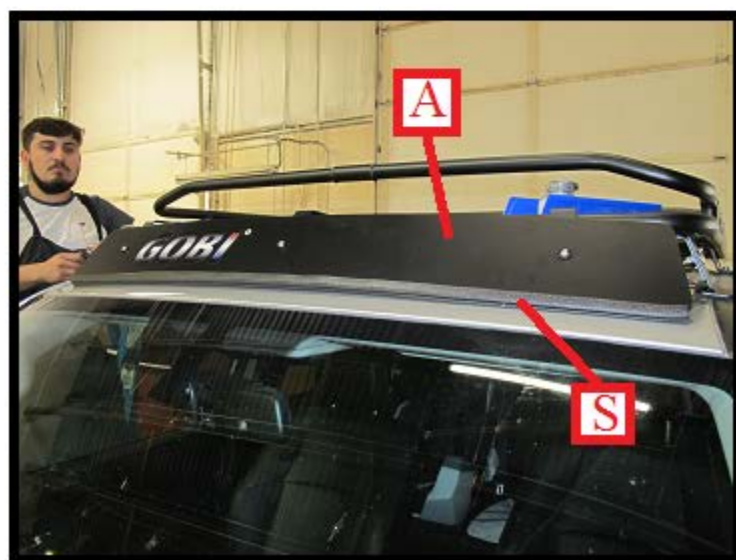
Fig. 5**Fig. 6**

Either alone or with another person's help, push wind deflector (A) towards the roof rack as shown in Fig. 5 by the red arrow. Then twist end bracket (B) inwardly as shown by a red arrow in Fig. 6. The inwardly turn of the outside brackets (B) as shown in Fig. 6 will set the wind deflector's ends in contact with the roof line. Then set the wind deflector as close as possible to the roof rack. No gap is needed.

GOBI JEEP GRAND CHEROKEE WL 3ROW WIND DEFLECTOR INSTALLATION INSTRUCTIONS

Fig. 7**Fig. 8**

Apply the same installation procedure as shown in Fig. 4, 5 and Fig. 6 to the passenger side wind deflector shown in Fig. 7 and Fig. 8 above.

Fig. 9

The rubber seal (S) at the bottom of the wind deflector (A) should be in full contact with the vehicle roof top from end to end.

GOBI JEEP GRAND CHEROKEE WL 3ROW WIND DEFLECTOR INSTALLATION INSTRUCTIONS

**Fig. 10**

Place a piece of masking tape as shown in Fig. 10 approximately 1/2" below the wind deflector along its full length.

**Fig. 11**

Remove the wind deflector but leave the masking tape in place

**Fig. 12**

Remove from your hardware kit Bag #2 a roll of clear wear tape and peel back the corner as shown above

GOBI JEEP GRAND CHEROKEE WL 3ROW WIND DEFLECTOR INSTALLATION INSTRUCTIONS

Fig. 13**Fig. 14**

Place the edge of the tape as shown in Fig. 13 approximately 1" from the edge of the trim shown by red arrow. Pull the white paper backing off and stick to the roof top along the edge of the masking tape mark. Press down firmly with your palm or squeegee tool. If possible remove all bubbles from under tape.

**Fig. 15**

Cut off any extra clear tape approximately 1" from the edge of the vehicle trim as indicated by the red lines in Fig. 15

GOBI JEEP GRAND CHEROKEE WL 3ROW WIND DEFLECTOR INSTALLATION INSTRUCTIONS



Install the wind deflector back again on the roof rack as previously shown in Fig. 3 thru Fig. 9. When you have completed the install the wind deflector's rubber seal will be seated on the clear wear tape.



Above is the Gobi Wind deflector properly installed. Make certain that the center screw is in line with the center of the rear view mirror support in the windshield shown above by a red line. If your wind deflector is out of line push wind deflector from either end to center.

INSTALLATION COMPLETED.