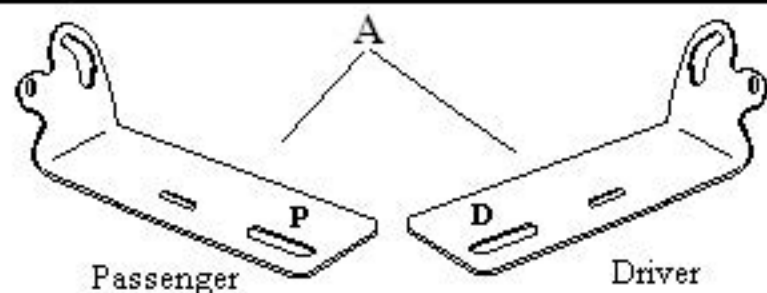


GOBI TOYOTA 4 RUNNER 4th & 5th GEN EXTREME & CALI 38" LED LIGHT BRACKETS INSTALLATION INSTRUCTIONS

Included in kit

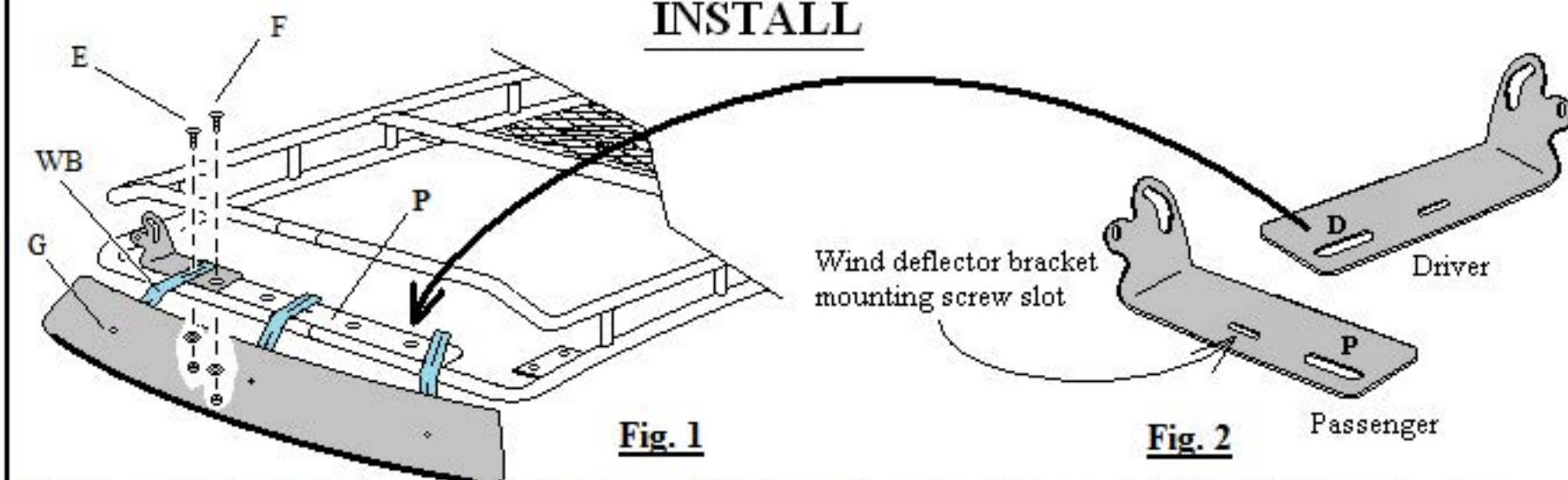
Letter	Description	Location	Quantity
A	GOBI TOYOTA 4 RUNNER 4th & 5th GEN 38" EXTREME & CALI LED LIGHT BRACKETS, PASSENGER AND DRIVER	Main box	1 set
B	<p><u>LIGHT BRACKET HARDWARE</u></p> <p><u>CONTENTS:</u> 2- 3/8 x 1" SS carriage screws 2- 3/8" SS flat washer 2- 3/8" SS nylock nuts 2- 1/4-20 x 1" SS button head screw 4- 1/4" Black nylon flat washer</p>	BAG #1	1



CAUTION:
PLACE ANTI-SEIZE
LUBRICANT ON
ALL SCREWS



INSTALL



- Refer to Fig. 1 and only loosen button head screw (G) for later adjustment. Remove the 1/4-20 x 3/4" button head screw (E) from the passenger side of the wind deflector and discard.
- Take the passenger side light bar bracket as shown in Fig. 2 and slide under the wind deflector bracket (WB) as shown in Fig. 1. Place one longer 1/4-20 x 1" button head screw and black nylon flat washer located in Bag #1 through the wind deflector bracket (WB) and light bar bracket then into main light bar mount plate (P) as shown in Fig. 1 and secure in place with a black nylon washer and 1/4" nylok nut (E). Do not fully tighten, leave some play for later adjustment.
- Place 1- 3/8-16 x 1" carriage screw (F) through the light bracket then through the main light bar mount plate (P) and secure in place with a 3/8" flat washer and 3/8" nylock nut located in Bag #1. Do not fully tighten, leave some play for adjustment.
- Apply the same procedure to the opposite side.
- Set the LED light bar between the Gobi LED support brackets and fasten in place, snug light down only at this time.
- Center the LED with the rack and fully tighten screws (F) both sides using a 9/16" open or closed end wrench.
- Pull both side wind deflector brackets (WB) back in place and tighten screws (E) both sides. Adjust wind deflector down and tighten screws (G) both sides. Adjust LED and fully tighten LED light in place. Install is completed.