

GOBI JEEP TJ 2 DOOR ROOF RACK INSTALLATION INSTRUCTIONS

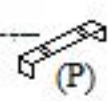
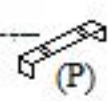
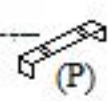



Guidelines:

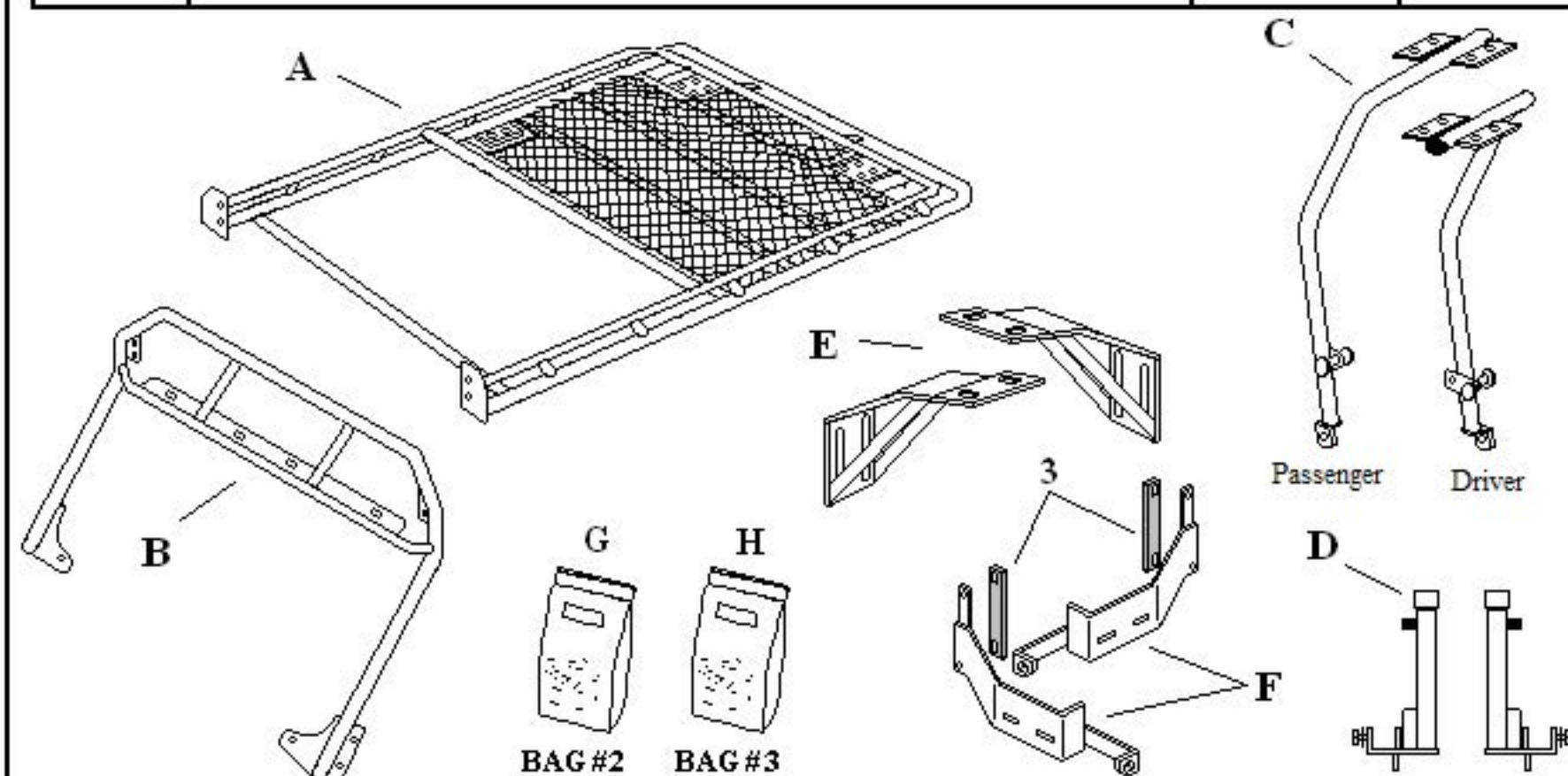
When using Load Carriers and Accessories, the user must understand the precautions. The points listed below will assist you in using the rack /carrier system and will encourage safety.

- For quality fits and safety, use only the recommended rack or accessory. Do not assume an accessory will fit, always check with dealer when obtaining new accessories. Use only approved accessories on load carriers. Using other brands will void your warranty.
- Make sure all knobs, bolts, screws, straps, and locks are firmly attached, tightened and locked before every trip. Knobs, bolts, screws, straps, and locks must be periodically inspected for signs of wear, corrosion, and fatigue. Check your load at stops during the trip to insure continued fastening security.
- Check local and state laws governing projection of objects beyond the width of a vehicle. **Be aware of the width and height of your cargo since low clearance branches, bridges, and parking garages can affect the load** All cargo will affect the vehicle's driving behavior. Never drive with any lock, knob, or rack in an open or unlocked position. All long loads such as, but not limited to sailboards, surfboards, kayaks, canoes, and lumber must be tied down front and rear to the bumpers or tow hooks, of the vehicle.
- Remove your rack accessories when they are not in use, before entering car washes, prior to taking in your vehicle for service, and whenever clearance may be an issue.
- All locks must be turned and moved periodically to insure smooth operation. Use graphite or similar dry lubricant to help this. Locks are designed to deter vandalism and theft. Remove valuable gear if your vehicle is unattended for an extended period. Place at least one key in the glove compartment.
- For safety to your vehicle and rack system, obey all posted speed limits and traffic cautions. Adapt your speed to the conditions of the road and the load being carried.
- Do not use load carriers and accessories for purposes other than those for which they were designed. Do not exceed their carrying capacity.
- Consult with your dealer if you have any questions regarding the operations and limits of this product. Review all instructions carefully.

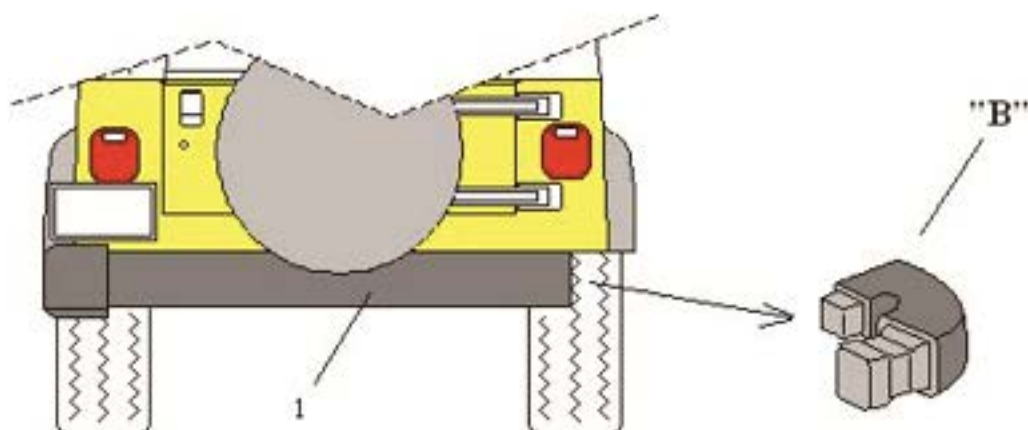
GOBI JEEP TJ 2 DOOR ROOF RACK INSTALLATION INSTRUCTIONS

Included in kit

Letter	Description	Location	Quantity																		
A	GOBI 98-06 JEEP TJ ROOF RACK	Main box	1																		
B	GOBI 98-06 JEEP TJ FRONT LIGHT BAR	Main box	1																		
C	GOBI REAR ROOF RACK SUPPORT BARS PASSENGER AND DRIVER	Main box	1 ea.																		
D	REAR RACK SUPPORT TOWERS PASSENGER AND DRIVER	Hardware Box	1 ea.																		
E	REAR TOWER SUPPORT PLATE PASSENGER AND DRIVER	Hardware Box	1 ea.																		
F	REAR FRAME EXTENSION PLATES PASSENGER AND DRIVER	Hardware Box	1 ea.																		
G	<p>GOBI RACK MOUNTING HARDWARE</p> <p>CONTENTS:</p> <table border="0"> <tr> <td>4- Nylon shoulder washers</td> <td>4- 3/8-16 x 4" Carriage screw</td> </tr> <tr> <td>4- 1/2" Flat washers SS</td> <td>6- 5/16-18 X 1-1/4" Hex head screw SS</td> </tr> <tr> <td>2- 1/2" x 2-1/2" Hex head bolts SS</td> <td>6- 5/16" Flat washer SS</td> </tr> <tr> <td>2- 1/2" Nylock nut SS</td> <td>6- 5/16" Lock washer SS</td> </tr> <tr> <td>8- 3/8-16 x 1-1/4" Hex head screw SS</td> <td>2- Clamp plates black #3- Pre assembled to (F)</td> </tr> <tr> <td>32- 3/8" Flat washers SS</td> <td>1- Pack of Anti-seize lubricant</td> </tr> <tr> <td>24- 3/8" Nylock nuts SS</td> <td>4- Rear support bar position plates </td> </tr> <tr> <td>8- 3/8 x 1" Carriage screw SS</td> <td></td> </tr> <tr> <td>2- 3/8 x 1-1/4" Carriage screw SS</td> <td></td> </tr> </table>	4- Nylon shoulder washers	4- 3/8-16 x 4" Carriage screw	4- 1/2" Flat washers SS	6- 5/16-18 X 1-1/4" Hex head screw SS	2- 1/2" x 2-1/2" Hex head bolts SS	6- 5/16" Flat washer SS	2- 1/2" Nylock nut SS	6- 5/16" Lock washer SS	8- 3/8-16 x 1-1/4" Hex head screw SS	2- Clamp plates black #3- Pre assembled to (F)	32- 3/8" Flat washers SS	1- Pack of Anti-seize lubricant	24- 3/8" Nylock nuts SS	4- Rear support bar position plates 	8- 3/8 x 1" Carriage screw SS		2- 3/8 x 1-1/4" Carriage screw SS		BAG #2 Hardware Box	1
4- Nylon shoulder washers	4- 3/8-16 x 4" Carriage screw																				
4- 1/2" Flat washers SS	6- 5/16-18 X 1-1/4" Hex head screw SS																				
2- 1/2" x 2-1/2" Hex head bolts SS	6- 5/16" Flat washer SS																				
2- 1/2" Nylock nut SS	6- 5/16" Lock washer SS																				
8- 3/8-16 x 1-1/4" Hex head screw SS	2- Clamp plates black #3- Pre assembled to (F)																				
32- 3/8" Flat washers SS	1- Pack of Anti-seize lubricant																				
24- 3/8" Nylock nuts SS	4- Rear support bar position plates 																				
8- 3/8 x 1" Carriage screw SS																					
2- 3/8 x 1-1/4" Carriage screw SS																					
H	<p>GOBI RACK ISOLATOR HARDWARE</p> <p>CONTENTS:</p> <ul style="list-style-type: none"> 2- Black Triangular adhesive backed wear plates  (Place on vehicle body under Rubber Isolators 21) 2- Oval black adhesive backed wear plates  (Place on vehicle body under Tower stand offs (14)) 2- 1" Round Brown adhesive backed wear pads  	BAG #3 Hardware Box	1																		

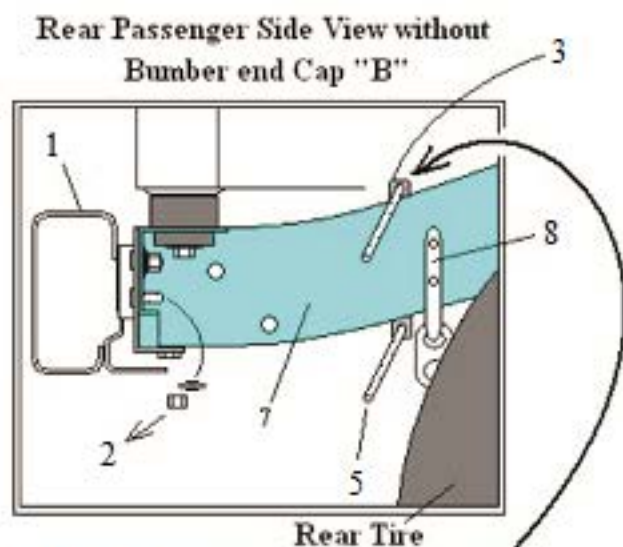
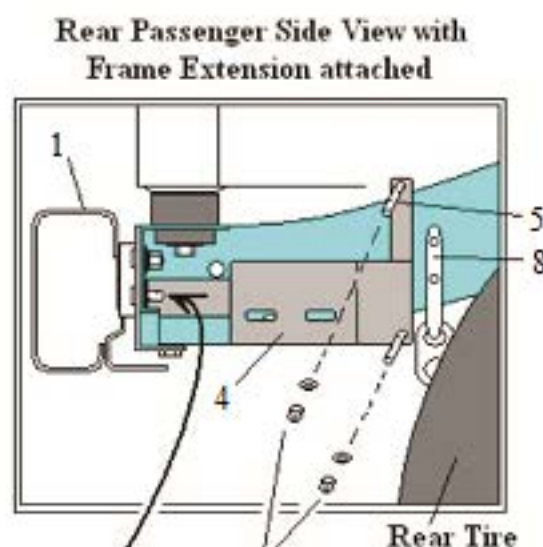
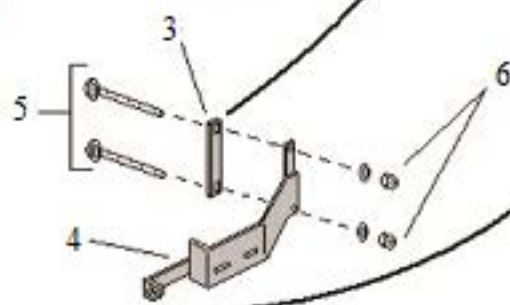


GOBI JEEP TJ 2 DOOR ROOF RACK INSTALLATION INSTRUCTIONS

**Fig. 1**

- 1- Refer to page 2 make sure all hardware is present prior to install.
- 2- Read all instructions carefully prior to installation.
- 3- Apply Anti-Seize lubricant to all screws.

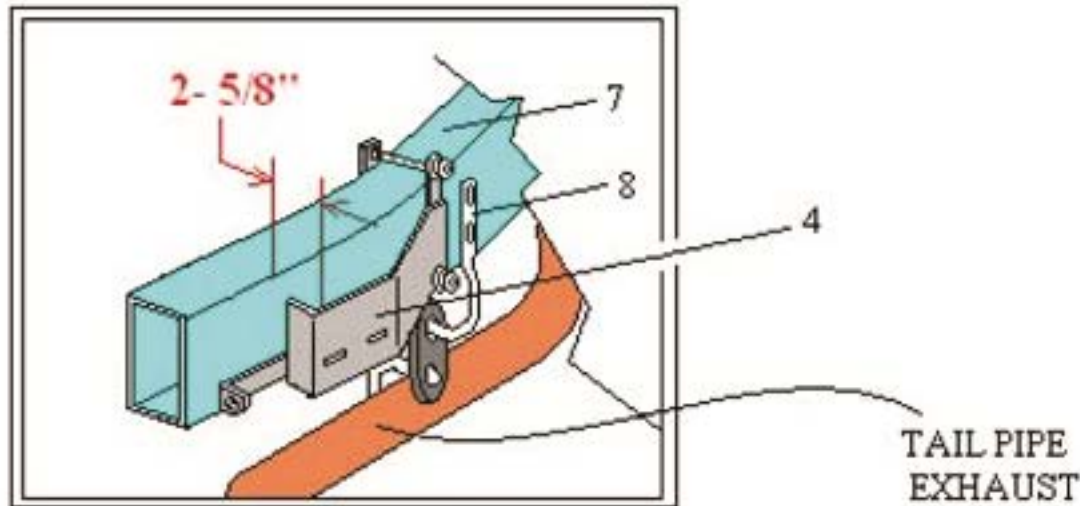
Refer to Fig. 1 and remove both rear bumper plastic end caps (B) as shown.

**Fig. 2****Fig. 3**

Refer to Fig. 2 and remove from the passenger side only the lower nut and washer (2) from rear bumper (1) as shown. Then remove from your hardware kit one clamp (3) and two 4" long carriage bolts (5) located in Bag #2. Thread the 4" long carriage bolts (5) through clamp plates (3) then slide them as a unit behind the passenger side rear body frame (7) as shown in Fig. 2. Keep clamp plate assembly on the left side or rear of the exhaust tail pipe support hook (8). Refer to Fig. 3 and remove from your hardware kit passenger side frame extension (4). Slide frame extension (4) onto the rear bumper screw (2) then slip frame extension over both 4" carriage bolts (5). Thread nut and washer recently removed from screw (2) back in place over frame extension (4) and finger tighten only. Continue by threading a 3/8" flat washer and nylock nut on the two 4" carriage bolts (5) holding the frame extension (4) in place. Snug down only at this time. Refer back to Fig. 2 and fully tighten nut and washer (2) to rear bumper (1) then continue to Fig. 3 and fully tighten nuts and washers (6).

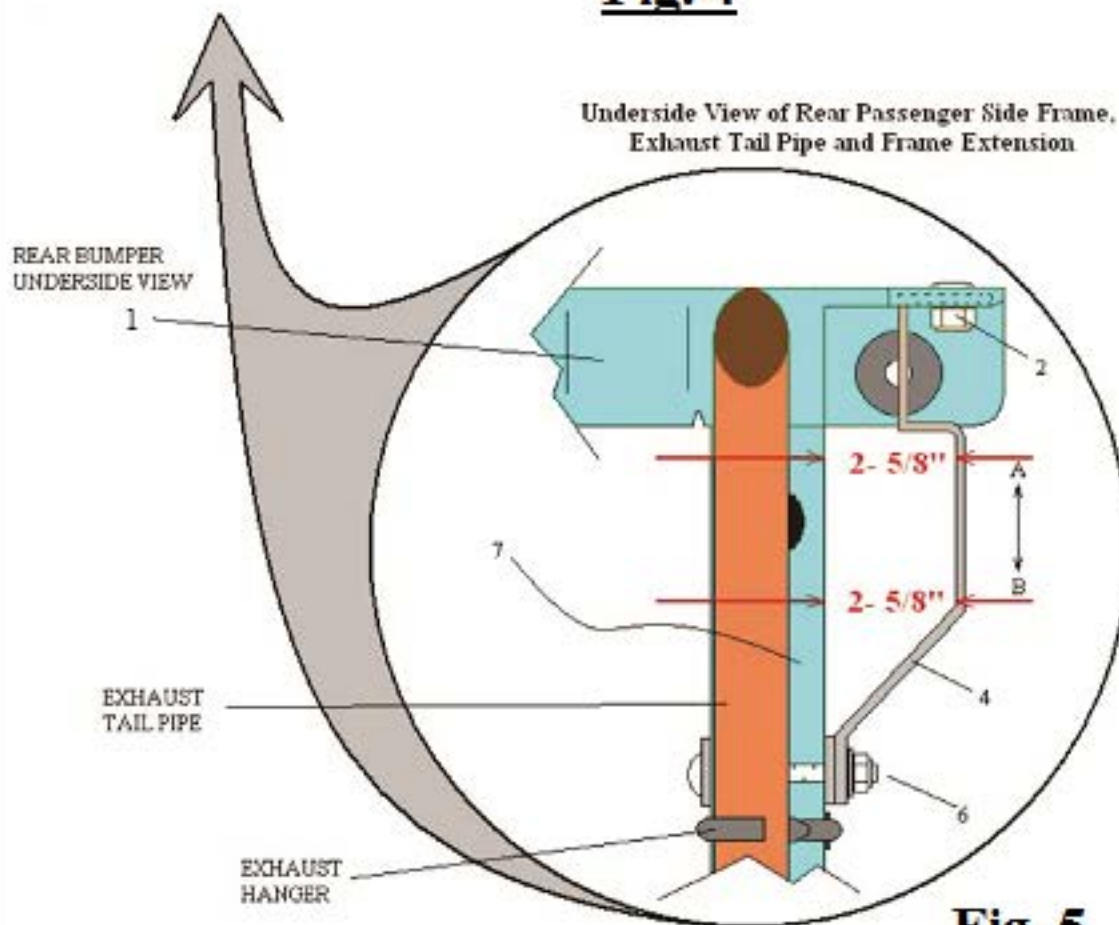
GOBI JEEP TJ 2 DOOR ROOF RACK INSTALLATION INSTRUCTIONS

Rear View Passenger Side Frame and Frame Extension

**Fig. 4**

Refer to Fig. 4 and Fig. 5 loosen nut (2) on bumper 1 as shown in Fig. 5 then adjust the frame extension plate (4) either closer or further from vehicle frame (7) so that an approximate 2-5/8" spacing is provided between frame (7) of the vehicle and frame extension plate (4) along points (A) to (B) as shown in Fig. (5). Once measurements have been confirmed fully tighten nut and washer (2).

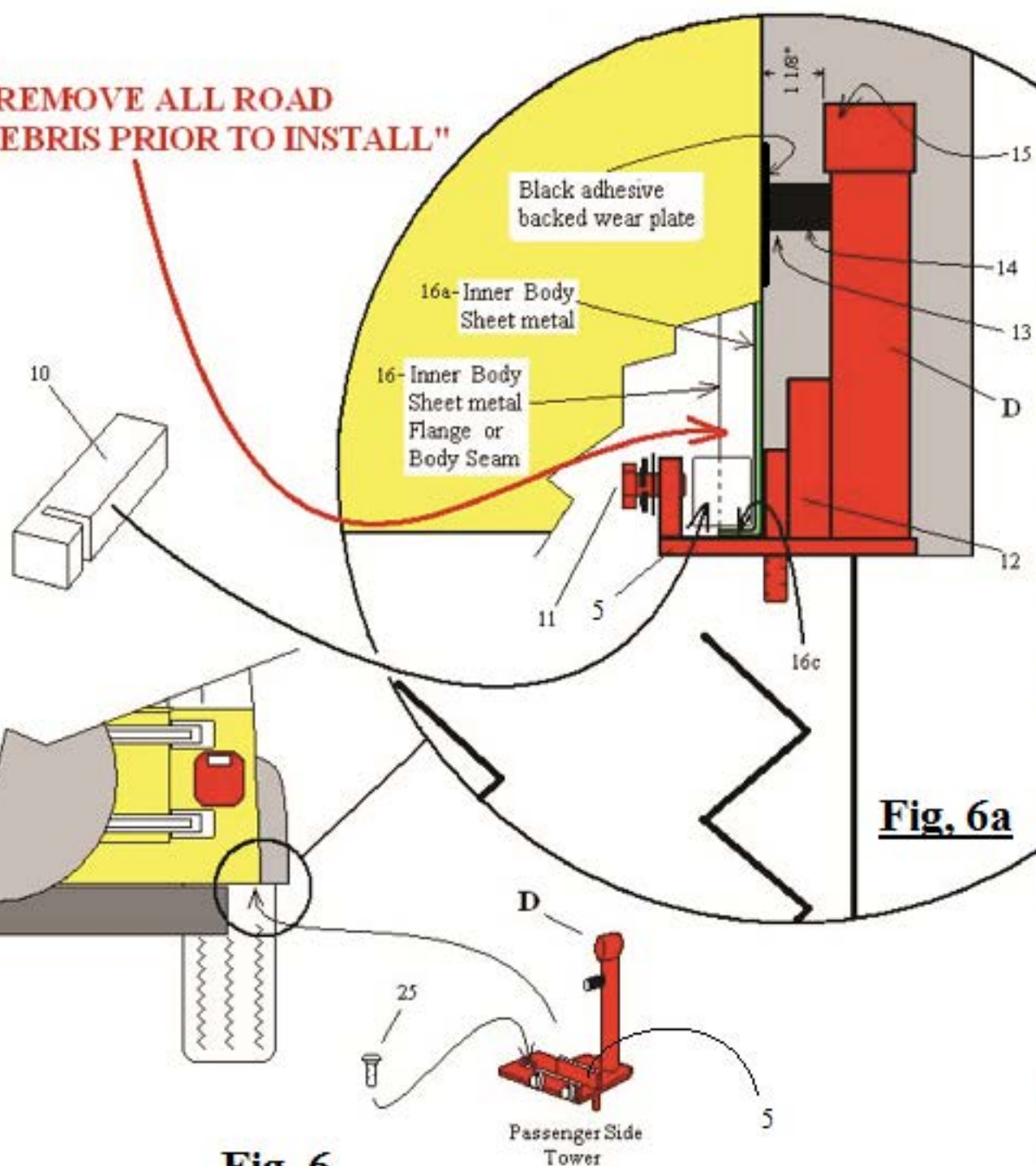
Underside View of Rear Passenger Side Frame, Exhaust Tail Pipe and Frame Extension

**Fig. 5**

GOBI JEEP TJ 2 DOOR ROOF RACK INSTALLATION INSTRUCTIONS

The rack must be inspected before each use to make certain attachments are secure, and for evidence of Wear. Misuse of the rack or failure to observe the manufacturer's instructions as to installation, proper Attachment and maintenance will void any warranties that may be implied by law.

**"REMOVE ALL ROAD
DEBRIS PRIOR TO INSTALL"**



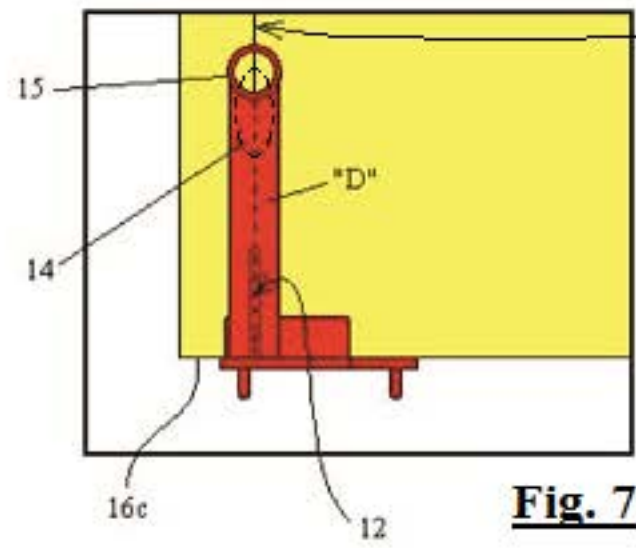
Refer to Fig. 6 remove passenger side tower (D) from your hardware kit. Remove the aluminum pinch plate (10) from the passenger side tower clamp portion (5) as shown in Fig. 6a. As illustrated in Fig. 6a (exploded cut away view) remove any debris such as mud or the like from underside of vehicle which may inhibit the installation procedure. Once cleaned place pinch plate (10) onto the inner body flange (16) with the slot end of the pinch plate surrounding flange (16) as shown. Make sure that pinch plate (10) sets flat against inner body sheet metal wall (16a) and surrounds flange (16) while seated directly onto the lower ledge (16c) as shown in Fig. 6a. Refer to page 6 Fig. 7 and clean from top to bottom body seam 17 with denatured alcohol. Refer to Fig. 6 and remove one 1-1/4" carriage bolt (25) from Bag #2 of your hardware kit and place into square hole in passenger side tower (D) as shown.

Fig. 6

Refer to Fig. 6 and Fig. 6 a above and page 6 Fig. 7 while holding pinch plate (10) in position place the passenger side tower (D) clamp portion (5) over the outer vehicle body and over pinch plate (10) as shown in Fig. 6a and page 6 Fig. 7. Push tower (D) up against lower body (16c) as much as possible while aligning support flange (12) and collar (15) of tower (D) to outer body seam (17) shown on page 6 Fig. 7. Once alignment is complete and clamp (5) is fully pushed up against lower body (16c) snug down the two clamp 3/8" hex cap screw, lock washers and flat washers (11) using a 9/16" socket or box end wrench as shown in Fig. 6a. Do not fully tighten at this time. Refer to page 2 section (H) of your hardware kit and remove one oval black adhesive backed wear plate located in Bag #3.

GOBI JEEP TJ 2 DOOR ROOF RACK INSTALLATION INSTRUCTIONS

Rear Passenger Side view



Clean body seam (17) top to bottom with denatured alcohol prior to install of rear tower both passenger and driver sides.

Refer to page 5 Fig. 6a and page 6 Fig. 7 peel off the self adhesive protective film and place the oval black wear plate on seam (17) of the vehicle body directly behind black nylon standoff (14) of support tower (D). You will need to tilt tower (D) slightly away from the vehicle body at the same time you apply the black wear plate. Be sure not to move tower (D) out of previously aligned position during this procedure. After the wear plate has been installed check that tower (D) alignment has not been moved. **FIRMLY** tighten the two 3/8 hex clamp screws, lock washers and flat washers (11) of tower (D) as shown on page 5 Fig. 6a using a 9/16 socket wrench or box end wrench. Follow the same procedure when installing the driver side support tower (D).

Place black oval adhesive backed wear plate's center hole directly behind black nylon standoff (14) and directly in line with seam (17) as shown above

Fig. 7

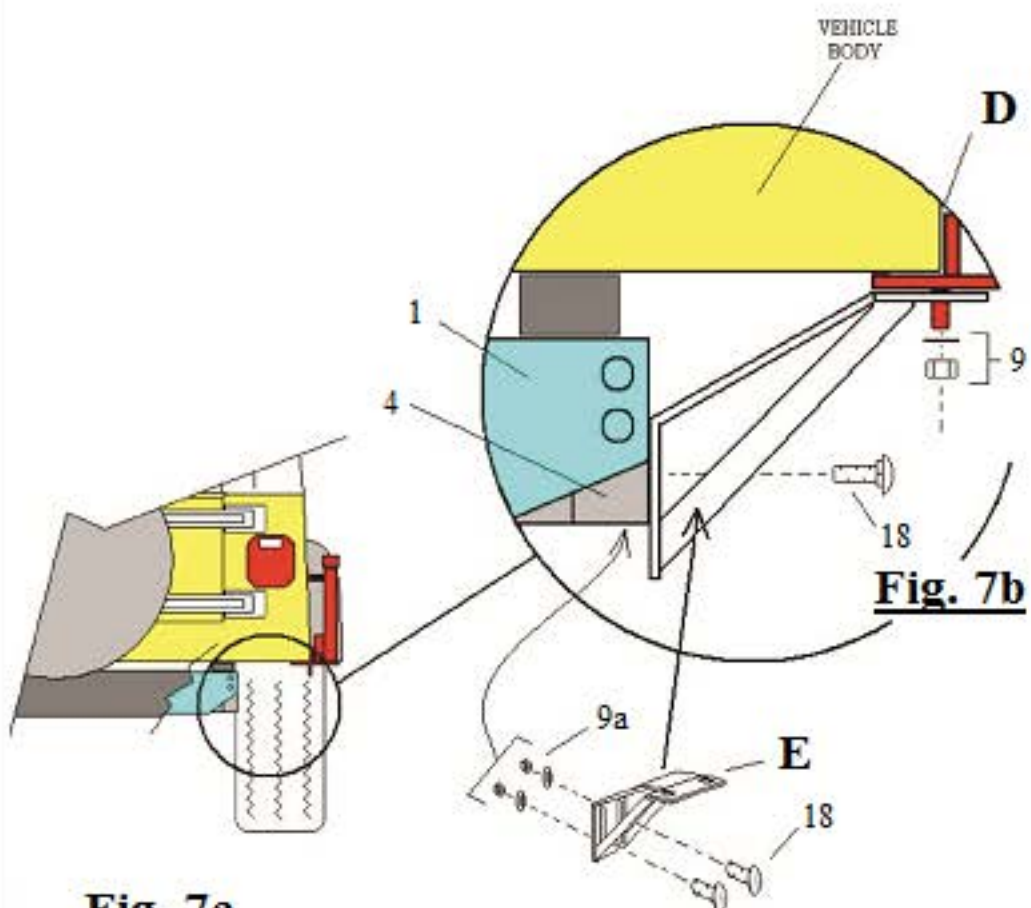
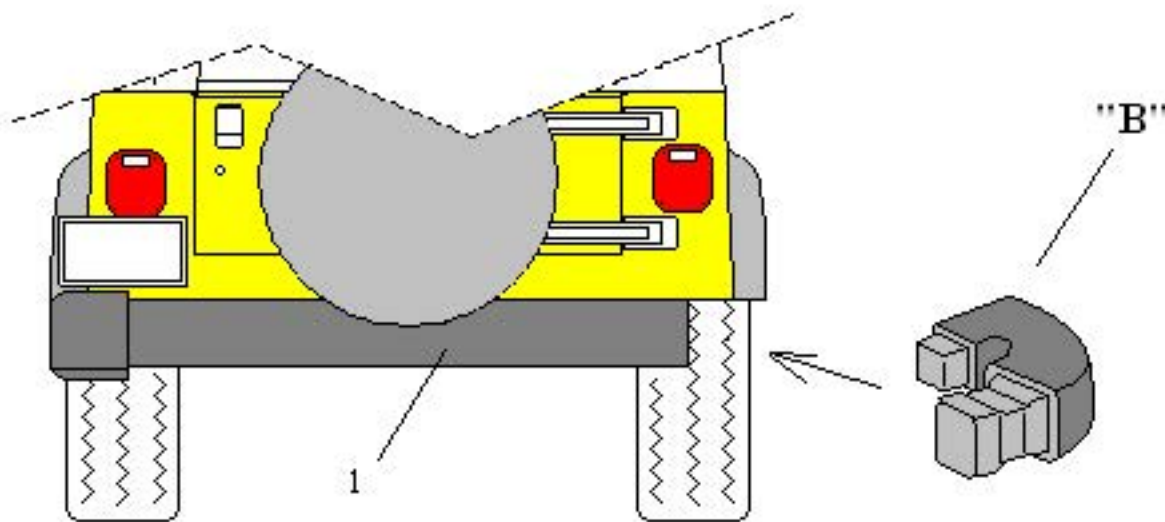


Fig. 7a

Fig. 7b

Refer to Fig. 7a and Fig. 7b remove the passenger side tower support plate (E) designation indicated by a stamp or sticker located in your hardware kit. Attach passenger side tower support plate (E) to the underside of passenger side tower (D) as shown in Fig. 7b. Using two 3/8" flat washers and nylock nuts supplied in Bag #2 of your hardware kit referred to as (9) on Fig. 7b thread them in place but leave loose enough for adjustment. Continue by installing two 1" carriage bolts (18) located in Bag #2 through support plate (E) then through frame extension (4) as shown in Fig. 7b holding tower support plate (E) to frame extension (4). Follow by threading two 3/8" flat washers and nylock nuts (9a) from the inside of frame extension (4) to carriage bolts (18). Snug down only leave loose for adjustment. Position tower support plate (E) as shown in Fig. 7b tightly to the underside of tower (D) and against frame extension (4). Tighten screws (9) and (18) by switching back and forth until you have tower support plate (E) tightly against the underside of tower (D) and against frame extension (4). Once you see you have no space between parts fully tighten in place. Apply the same procedure to the driver side.

GOBI JEEP TJ 2 DOOR ROOF RACK INSTALLATION INSTRUCTIONS



Referr to Fig. 8
and reinstall both
rear bumper
plastic end caps
(B) at this time.

Fig. 8

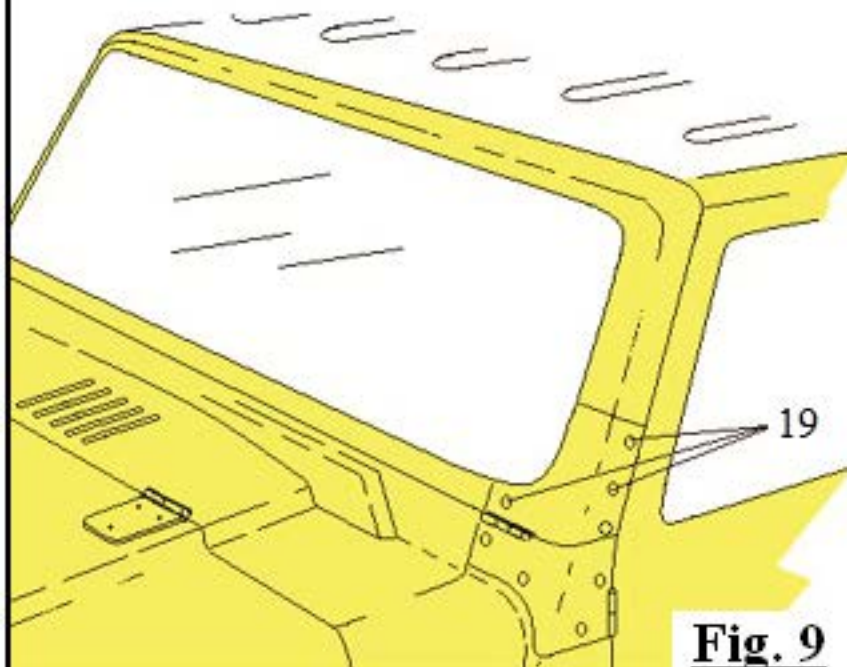


Fig. 9

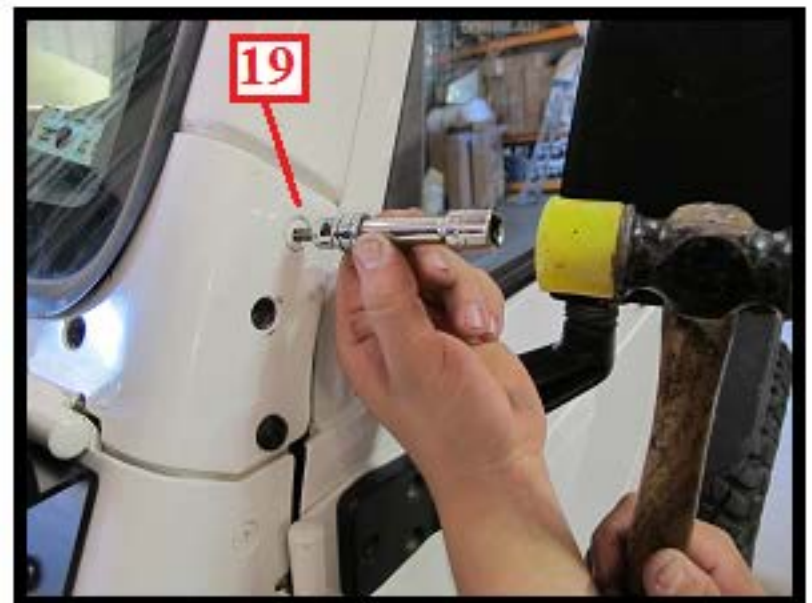
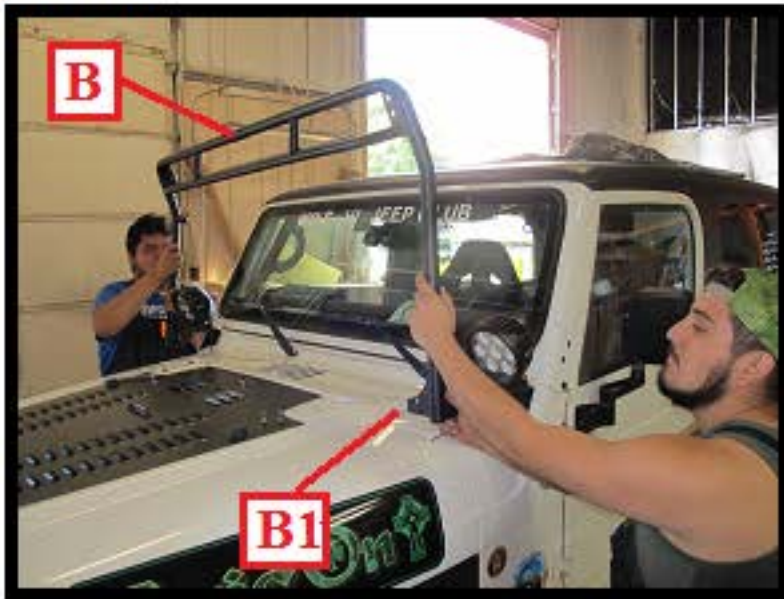


Fig. 9a

Refer to Fig. 9 and Fig. 9a and remove 3 Torx flat head screws (19) from each side of the windshield using a (T-40) Torx bit. Use a 1/4" socket and extension to hold the (T-40) Torx bit in place when removing the flat head Torx screws from the base of the windshield. Try using a plastic tipped hammer and impact the screw head directly to help loosen the paint from around the screw head. This will help make screw extraction easier.

GOBI JEEP TJ 2 DOOR ROOF RACK INSTALLATION INSTRUCTIONS

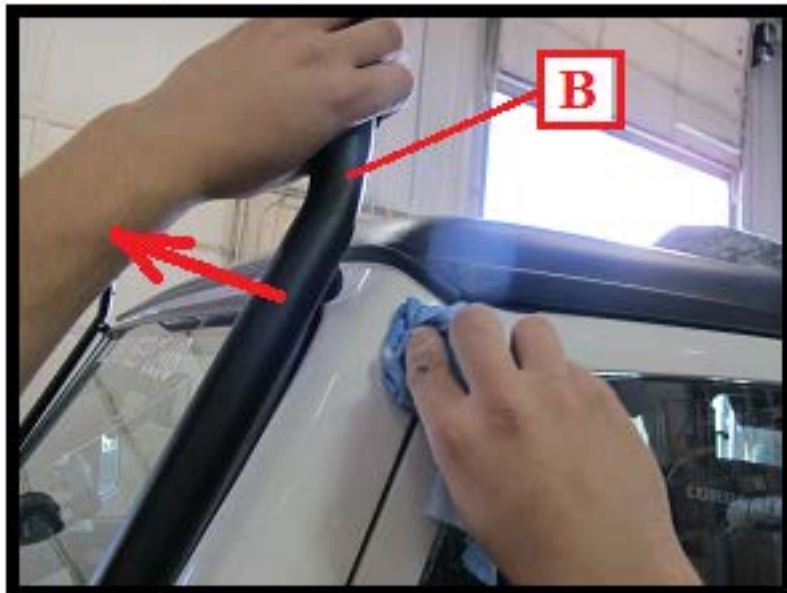
Fig. 10**Fig. 11**

Refer to page 2 and remove six 5/16-18 x 1-1/4" stainless hex head screws, lock washers and flat washers (20) from Bag #2 of your hardware kit. Using two persons as shown in Fig. 10 install the Gobi light bar (B) onto the windshield by sliding the driver side mounting base foot (B1) over the base of the driver side windshield frame shown in Fig. 11. Thread in all three 5/16-18 x 1-1/4" screws, lock washers and flat washers (20) in place but leave loose for later adjustment.

Fig. 12**Fig. 13**

Pull with force the passenger side light bar mount base foot (B1) over onto the base of the passenger side windshield as shown by the red arrows. Align the light bar mounting holes with the lower windshield base screw holes and install all three screws, lock washers and flat washers (20) as shown in Fig. 13. Do not tighten screws at this time leave loose for adjustment.

GOBI JEEP TJ 2 DOOR ROOF RACK INSTALLATION INSTRUCTIONS

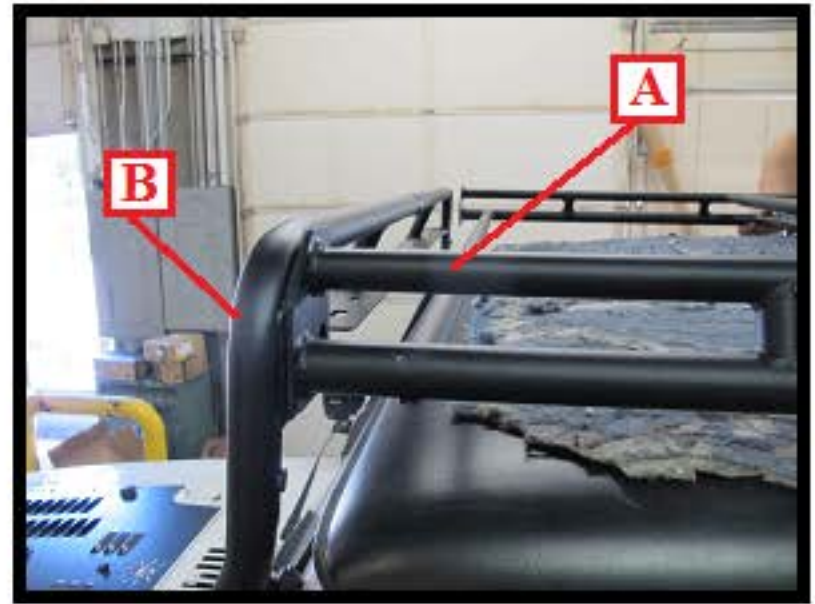
Fig. 14**Fig. 15**

Pull back the Gobi light bar (B) from the windshield in the direction of the red arrow and clean the surface of the windshield frame just behind each rubber bumper with denatured alcohol as shown in Fig. 14 and let dry for 30 seconds. Remove from Bag #3 of your hardware kit two 1" round brown adhesive backed wear pads. Peel off the adhesive protective film as shown in Fig. 15 and place them on the windshield frame just behind each light bar rubber bumper as shown in Fig. 16.

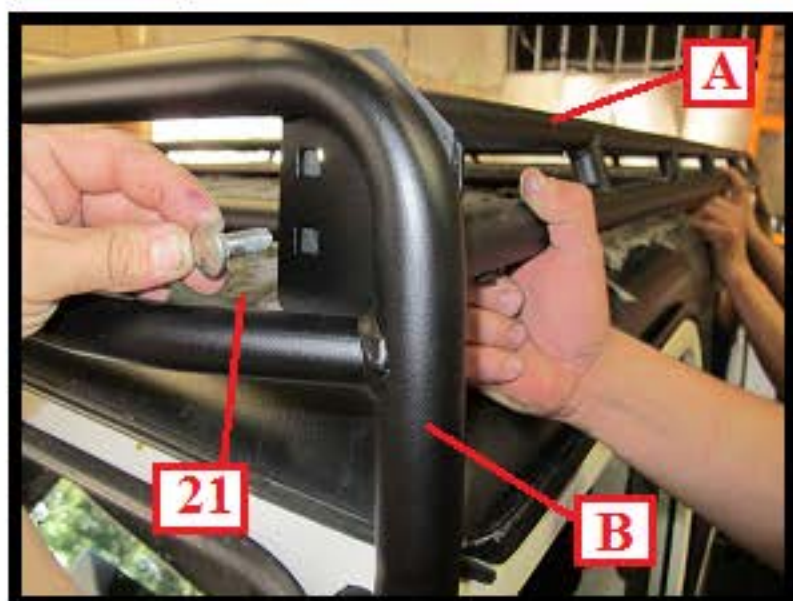
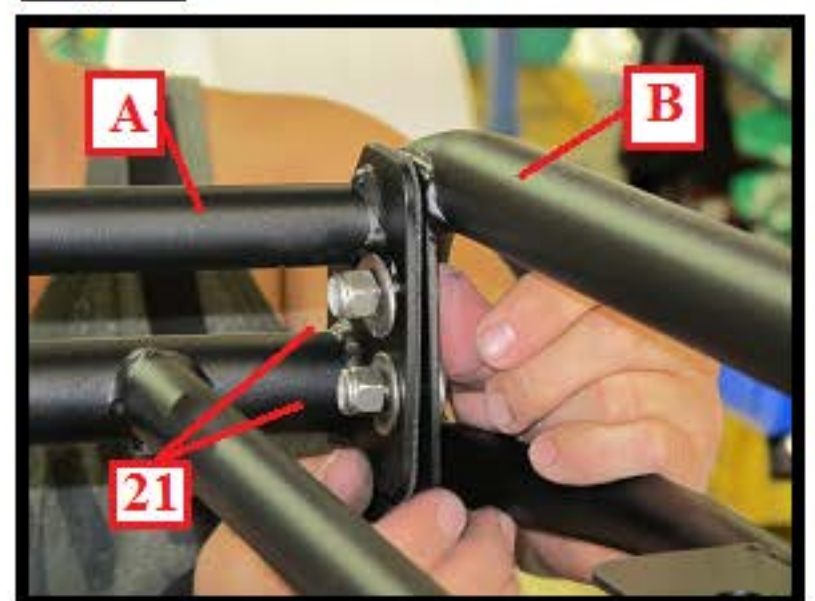
Fig. 16**Fig. 17**

Press down the brown adhesive wear pad then have one person pull back on light bar (B) as shown in Fig. 17 in the direction of the red arrow while another person fully tightens all three lower light bar mounting screws (20) using a 1/2" ratchet both the passenger and driver sides.

GOBI JEEP TJ 2 DOOR ROOF RACK INSTALLATION INSTRUCTIONS

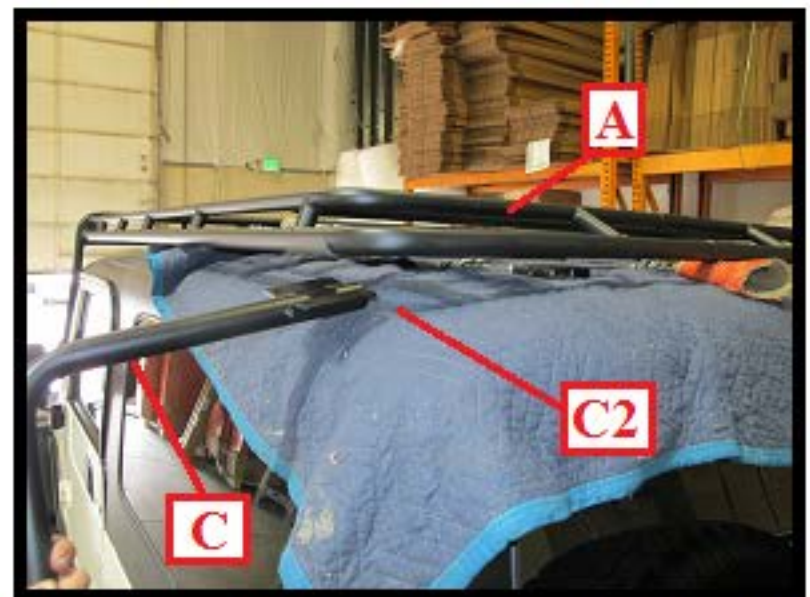
Fig. 18**Fig. 19**

Place a blanket on the top of your roof top then with the help of two to three people set the Gobi roof rack (A) onto the top of your vehicle just behind the Gobi light bar (B) as shown in Fig. 18 and Fig. 19.

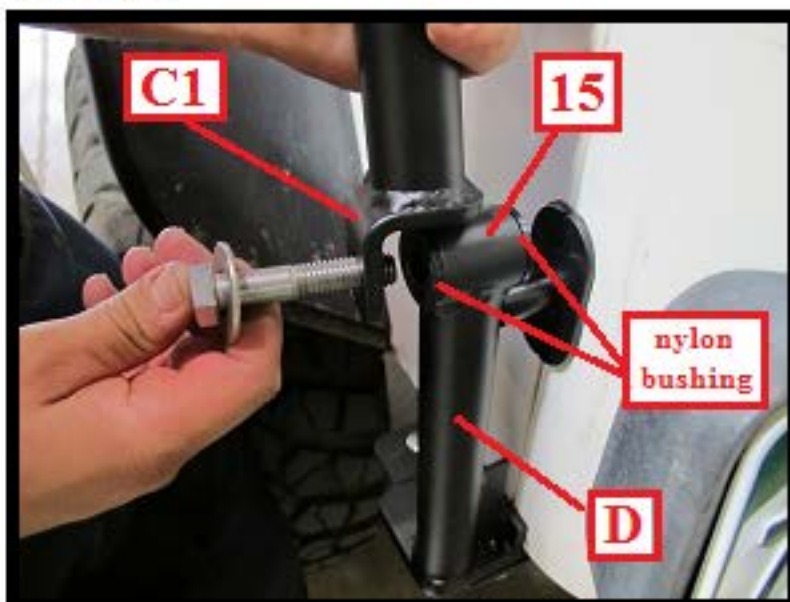
Fig. 20**Fig. 21**

Remove from Bag #2 four 3/8-16 x 1" carriage bolts, four flat washers and four nylock nuts. As shown in Fig. 20 push the 3/8 x 1" carriage bolts (21) through the front light bar (B) then into the roof rack (A) as shown in Fig. 21. Thread on the 3/8" flat washers and nylock nuts and snug down at this time both driver and passenger sides. Do not fully tighten leave loose enough for adjustment.

GOBI JEEP TJ 2 DOOR ROOF RACK INSTALLATION INSTRUCTIONS

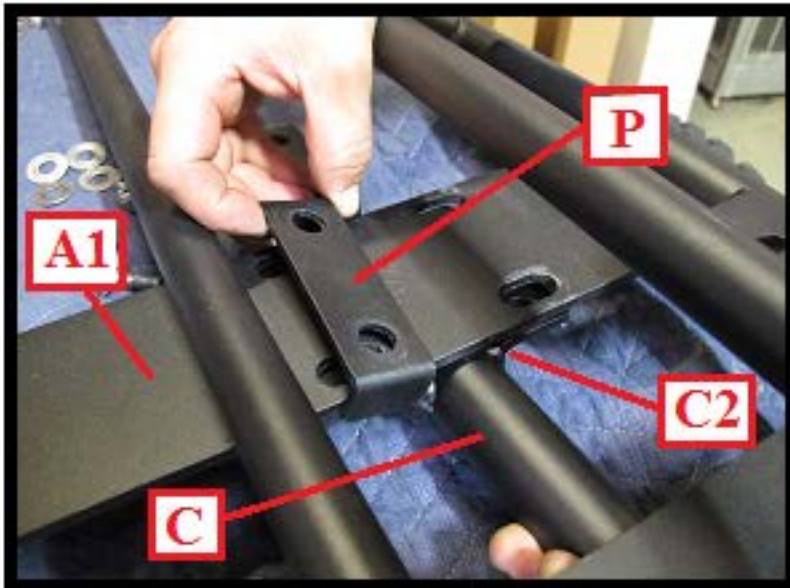
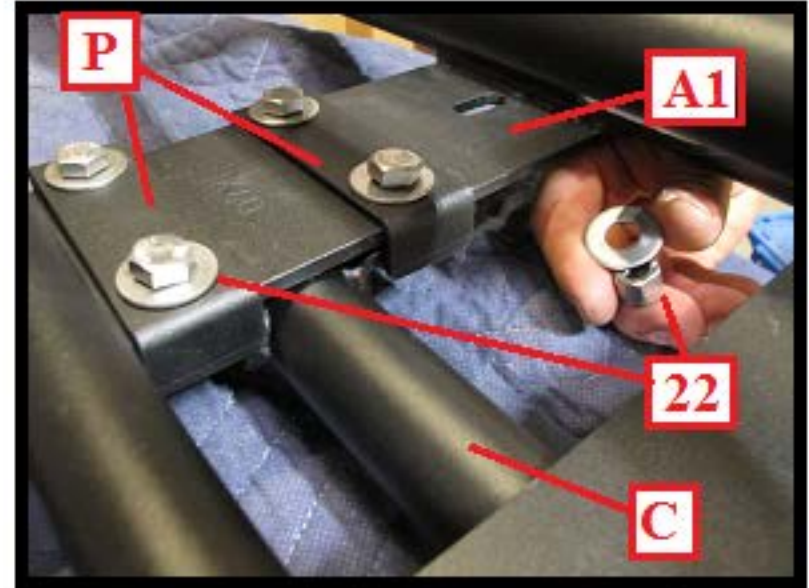
Fig. 22**Fig. 23**

With a blanket still in place over the vehicle top place a small block of wood or cardboard roll and make sure the rear of roof rack (A) sits approximately 2" above the hard top or that roof rack (A) is level if a soft top is present. Remove the driver side rear support bar (C) marked as driver side from your hardware kit and slip the top section with the two welded in flanges (C2) under the rear driver side section of roof rack (A) and position the lower section of support bar (C1) onto the driver side tower (D) as shown in Fig. 24.

Fig. 24**Fig. 25**

Remove from Bag #2 of your hardware kit one 1/2" x 2-1/2" hex bolt, two flat washers, one 1/2" nylock nut and two black nylon bushings. Slip the black nylon bushings into each end of tower sleeve (15) as shown in Fig. 24 then place support bar (C) in place on the outside. Insert one 1/2" x 2-1/2" hex bolt and flat washer into support bar (C) then into nylon bushings of tower (D) and secure in place with one 1/2" flat washer and one 1/2" nylock nut as shown. Snug down at this time do not fully tighten.

GOBI JEEP TJ 2 DOOR ROOF RACK INSTALLATION INSTRUCTIONS

Fig. 25**Fig. 26**

Remove from Bag #2 two rear support bar positioning plates (P). Align the two welded in flanges (C2) of the driver side rear support bar (C) under the roof rack rear mounting plate (A1) then place positioning plate (P) over both roof rack mounting plate (A1) and flanges (C2) of support bar (C) as shown in Fig. 25 and Fig. 26. Use four 3/8-16 x 1-1/4" hex screws, eight 3/8" flat washers and four 3/8 nylock nuts (22) located in Bag #2 to secure in place. Do not fully tighten at this time leave loose enough for adjustment.

Fig. 27**Fig. 28**

Adjust rear support bar (C) either forward or rearward based on the height you wish the roof rack to be in. For example if you are carrying a heavy load you may want to set support bar (C) fully to the rear raising the roof rack. Standard height would be setting the rear support bar fully forward in the direction of the red arrows then fully tighten all four screws and nuts (22) using a 9/16" ratchet and box end wrench. Make sure to keep the rear support bar (C) in line with roof rack rear cross bar (A3). Apply the same procedure to the passenger side.

GOBI JEEP TJ 2 DOOR ROOF RACK INSTALLATION INSTRUCTIONS

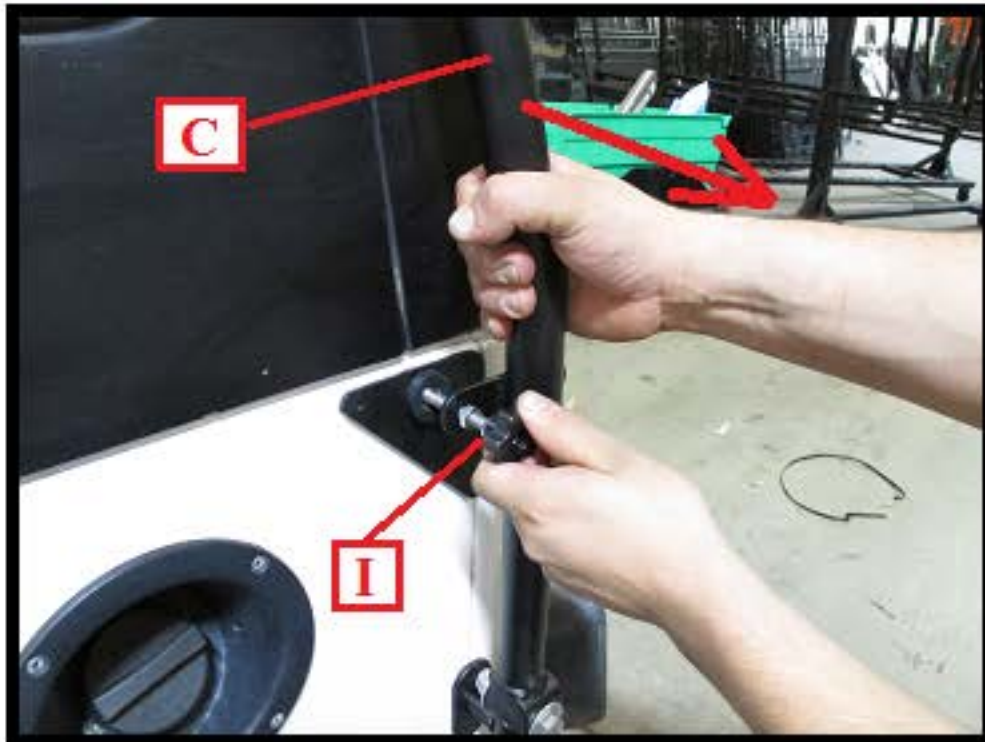
Fig. 29**Fig. 30**

Fully tighten rear support bar (D) pivot bolt and nut as shown in Fig. 29 using a 3/4" ratchet and 3/4" open end wrench or adjustable wrench. Clean the area behind the rear support bar isolator screw (I) with denatured alcohol and let dry for 30 seconds.

Fig. 31**Fig. 32**

Remove from Bag #3 one black rear triangular adhesive backed wear plate as shown in Fig. 31 peel off the protective film. Install onto the rear body panel behind isolator screw (I) as shown in Fig. 32 in line with seam (17) and upper body panel edge. Press in place and hold for at least 30 seconds. Apply the same procedure to the passenger side.

GOBI JEEP TJ 2 DOOR ROOF RACK INSTALLATION INSTRUCTIONS

**Fig. 33**

Adjust both passenger and driver side rear isolators (I) so that the rubber cap contacts the side of the triangular black wear plate. Then turn isolator (I) driver side first two to three full turns clockwise while pulling out on rear support bar (C) as shown by the red arrow with each turn. This will allow you to apply pressure against the rear body panel with minimal turning force preventing roof rack play. Apply the same procedure to the passenger side.

**Fig. 34**

When you have fully adjusted both driver and passenger side isolators use a 1/2" open end wrench and tighten the isolator nut against isolator plate (30) preventing the isolator adjustment from coming loose during travel.

Refer to page 10 Fig.21 and lift roof rack as high as possible then fully tighten screws (21) both passenger and driver sides using a 9/16 box end wrench.

GOBI JEEP TJ 2 DOOR ROOF RACK INSTALLATION INSTRUCTIONS



INSTALLATION COMPLETED

- CAUTION:**
- * DO NOT REST THE GOBI ROOF RACK ON THE REAR BUMPER AS DAMAGE CAN RESULT FROM THE WEIGHT OF THE ROOF RACK ON THE REAR LICENSE PLATE FRAME OR PLASTIC BUMPER
 - * EXCESSIVE SPEEDS OVER ROUGH TERRAIN WITH OR WITHOUT A FULLY LOADED ROOF RACK ARE NOT RECOMMENDED
 - * DO NOT EXCEED 300 LBS CARGO WEIGHT SPREAD EVENLY OVER ENTIRE ROOF RACK DURING ON OR OFF ROAD DRIVING

Recommended Attachments:

- A) "QUICK RELEASE" part #GJJKQR for easy and quick release of the roof rack for soft top retraction.
- B) "Upper rear Isolators" part #GJJKRUI prevents rear upper roof rack movement during off road driving or extreme heavy loads. For hard top use only.

To purchase these or other Gobi attachments please contact a Gobi online dealer or Gobi Racks direct at 1-720-479-9372 or e-mail to sales@gobiracks.com Thank you for your purchase