

GOBI ELEVATION ADJUSTABLE CROSS BARS INSTALLATION INSTRUCTIONS

Guidelines:

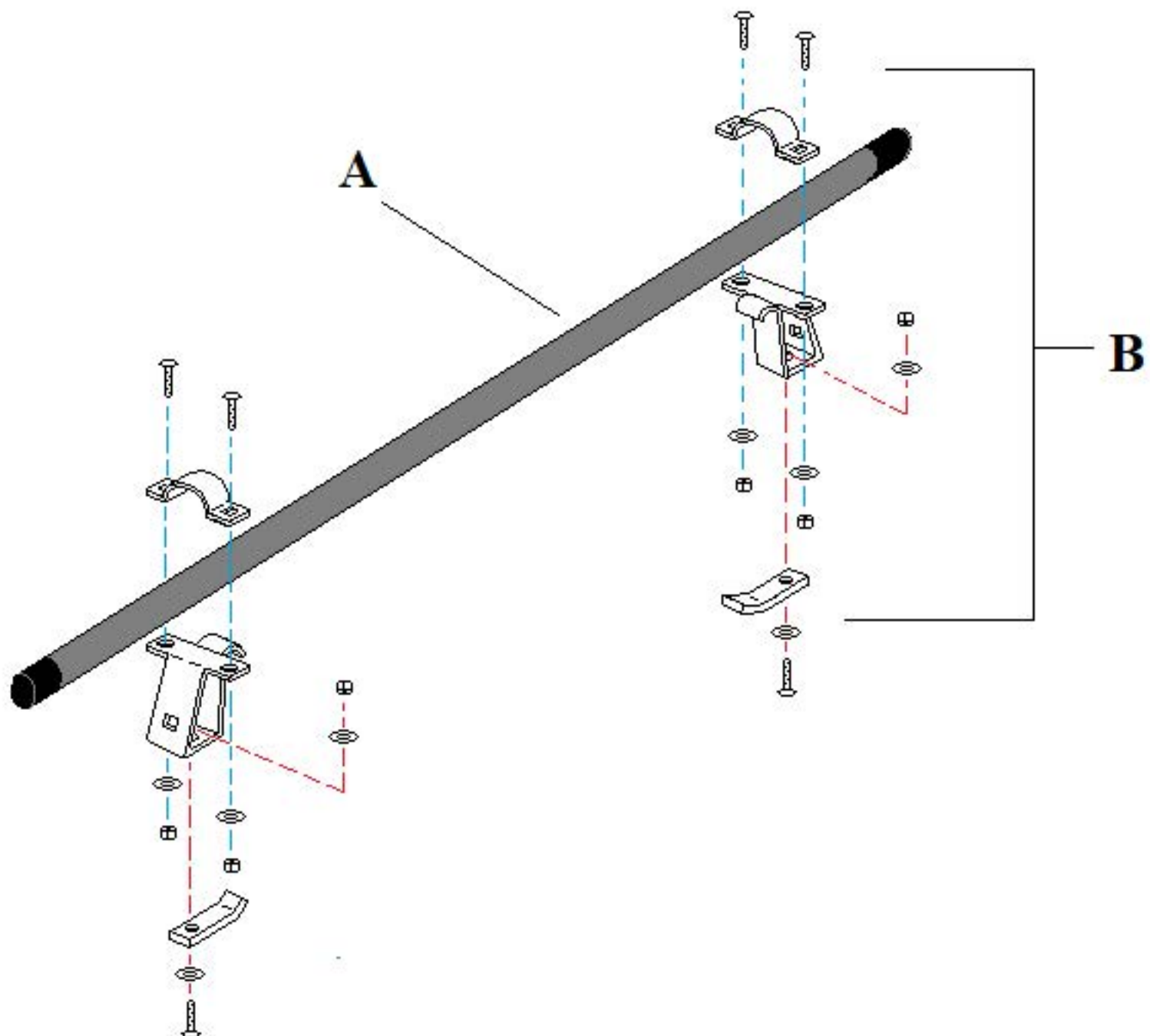
When using Load Carriers and Accessories, the user must understand the precautions. The points listed below will assist you in using the rack /carrier system and will encourage safety.

- For quality fits and safty, use only the recommended rack or accessory. Do not assume an accessory will fit, always check with dealer when obtaining new accessories. Use only approved accessories on load carriers. Using other brands will void your warrenty.
- Make sure all knobs, bolts, screws, straps, and locks are firmly attached, tightened and locked before every trip. Knobs, bolts, screws, straps, and locks must be periodically inspected for signs of wear, corrosion, and fatigue. Check your load at stops during the trip to insure continued fastening security.
- Check local and state laws governing projection of objects beyound the width of a vehicle. **Be aware of the width and height of your cargo since low clearance branches, bridges, and parking garages can affect the load** All cargo will affect the vehicle's driving behavior. Never drive with any lock, know, or rack in an open or unlocked position. All long loads such as, but not limited to sailboards, surfboards, kayaks, canoes, and lumber must be tied down front and rear to the bumpers or tow hooks, of the vehicle.
- Remove your rack accessories when they are not in use, before intering car washes, prior to taking in your vehicle for service, and whenever clearance may be an issue.
- All locks must be turned and moved periodically to insure smooth operation. Use graphite or similar dry lubricant to help this. Locks are designed to deter vandalism and theft. Remove valuable gear if your vehicle is unattended for an extended period. Place at least one key in the glove compartment.
- For safety to your vehicle and rack system, obey all posted speed limits and traffic cautions. Adapt your speed to the conditions of the road and the load being carried.
- Do not use load carriers and accessories for purposes other than those for which they were designed. Do not exceed their carrying capacity.
- Consult with your dealer if you have any questions regarding the operations and limits of this product. Review all instructions carefully.

GOBI ELEVATION ADJUSTABLE CROSS BARS INSTALLATION INSTRUCTIONS

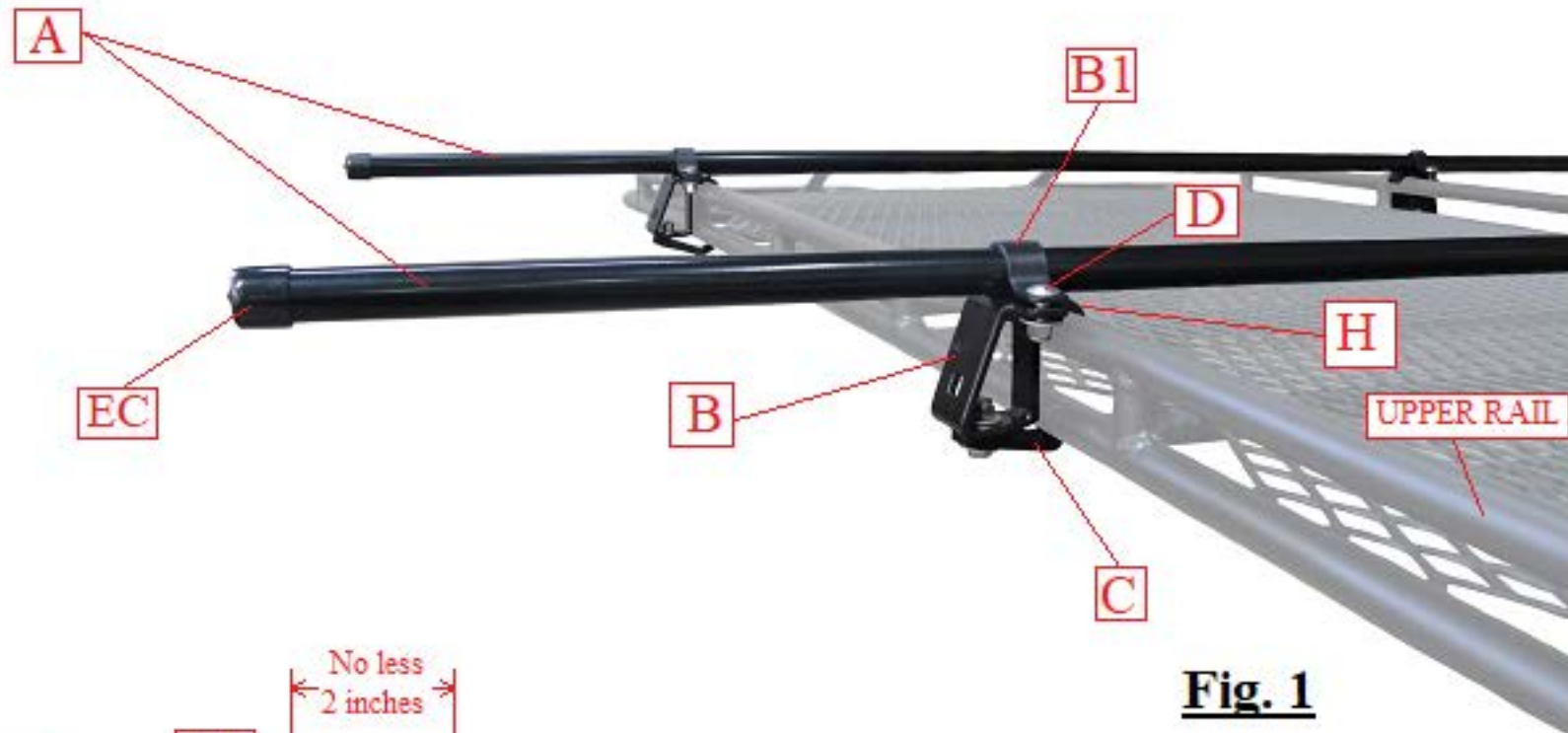
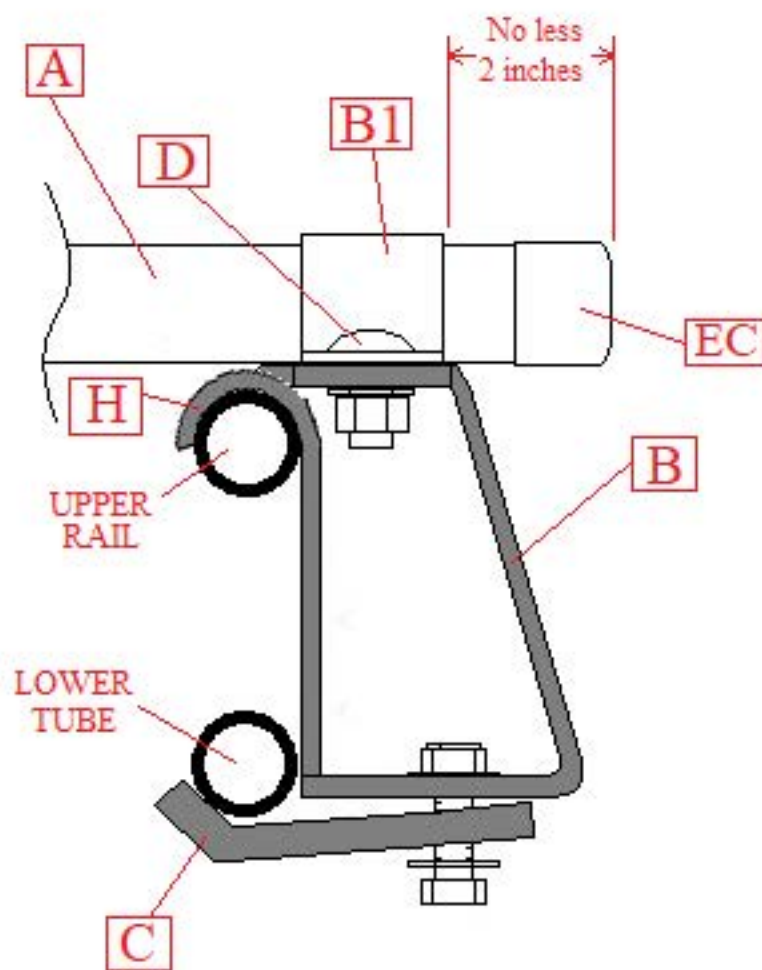
Included in kit

Letter	Description	Location	Quantity
A	GOBI ELEVATION ADJUSTABLE CROSS BAR ONLY	Main box	1
B	GOBI ELEVATION CROSS BAR BRACKET COMPLETE	Main box	2



CAUTION: MAXIMUM DYNAMIC CROSS BAR WEIGHT LIMIT 150 LBS. (68.04kg) per cross bar
MAXIMUM STATIC CROSS BAR WEIGHT LIMIT 225 LBS. (102.06kg) per cross bar

GOBI ELEVATION ADJUSTABLE CROSS BARS INSTALLATION INSTRUCTIONS

**Fig. 1****Fig. 2**

INSTALLATION STEPS:

- 1 Choose a section on your Gobi rack you plan to install the Elevation cross bar onto. Remove from your hardware box 1 complete cross bar bracket assembly (B). Place hook end (H) of the cross-bar bracket assembly (B) as shown in Fig. 1 and Fig. 2 over the upper rail of your Gobi rack.
- 2 Swing clamp plate (C) under the lower tube of the Gobi rack as shown in Fig. 1 and Fig. 2 and fully tighten in place using 2-9/16" box end wrenches. Make sure the bracket assemblies (B) are in alignment with each other on both sides of your Gobi rack as shown in Fig. 1.
- 3 Loosen screws (D) holding cross bar clamp (B1) in place on both cross-bar bracket assemblies (B). Do not remove screws (D) completely if not needed.
- 4 Remove end cap (EC) from one end of the cross bar (A) and slide cross bar (A) under clamps (B1) of both bracket assemblies (B) as shown in Fig. 1. Then re-install end cap (EC) back onto cross bar (A).
- 5 Position cross-bar (A) to a desired length protruding from both sides of your Gobi rack, then fully tighten all 4 screws (D) using a 9/16 box end wrench.

Note: Cross bars can be cut down to any specific length needed so long as the cross bar protrudes past each cross-bar clamp (B1) no less than 2 inches.