

GOBI JEEP CHEROKEE XJ 1984-2001 ROOF RACK INSTALLATION INSTRUCTIONS

Guidelines:

When using Load Carriers and Accessories, the user must understand the precautions. The points listed below will assist you in using the rack /carrier system and will encourage safety.

- For quality fits and safety, use only the recommended rack or accessory. Do not assume an accessory will fit, always check with dealer when obtaining new accessories. Use only approved accessories on load carriers. Using other brands will void your warranty.
- Make sure all knobs, bolts, screws, straps, and locks are firmly attached, tightened and locked before every trip. Knobs, bolts, screws, straps, and locks must be periodically inspected for signs of wear, corrosion, and fatigue. Check your load at stops during the trip to insure continued fastening security.
- Check local and state laws governing projection of objects beyond the width of a vehicle. **Be aware of the width and height of your cargo since low clearance branches, bridges, and parking garages can affect the load** All cargo will affect the vehicle's driving behavior. Never drive with any lock, knob, or rack in an open or unlocked position. All long loads such as, but not limited to sailboards, surfboards, kayaks, canoes, and lumber must be tied down front and rear to the bumpers or tow hooks, of the vehicle.
- Remove your rack accessories when they are not in use, before entering car washes, prior to taking in your vehicle for service, and whenever clearance may be an issue.
- All locks must be turned and moved periodically to insure smooth operation. Use graphite or similar dry lubricant to help this. Locks are designed to deter vandalism and theft. Remove valuable gear if your vehicle is unattended for an extended period. Place at least one key in the glove compartment.
- For safety to your vehicle and rack system, obey all posted speed limits and traffic cautions. Adapt your speed to the conditions of the road and the load being carried.
- Do not use load carriers and accessories for purposes other than those for which they were designed. Do not exceed their carrying capacity.
- Consult with your dealer if you have any questions regarding the operations and limits of this product. Review all instructions carefully.

GOBI JEEP CHEROKEE XJ 1984-2001 ROOF RACK INSTALLATION INSTRUCTIONS

Tools Required:

- 1- 5/32" Allen Wrench
- 1- 7/16" Open and Boxed end Wrench
- 2- 9/16" Boxed end Wrench

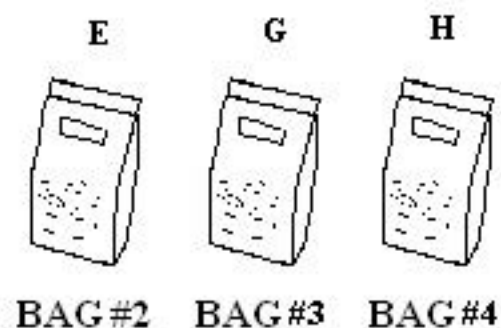
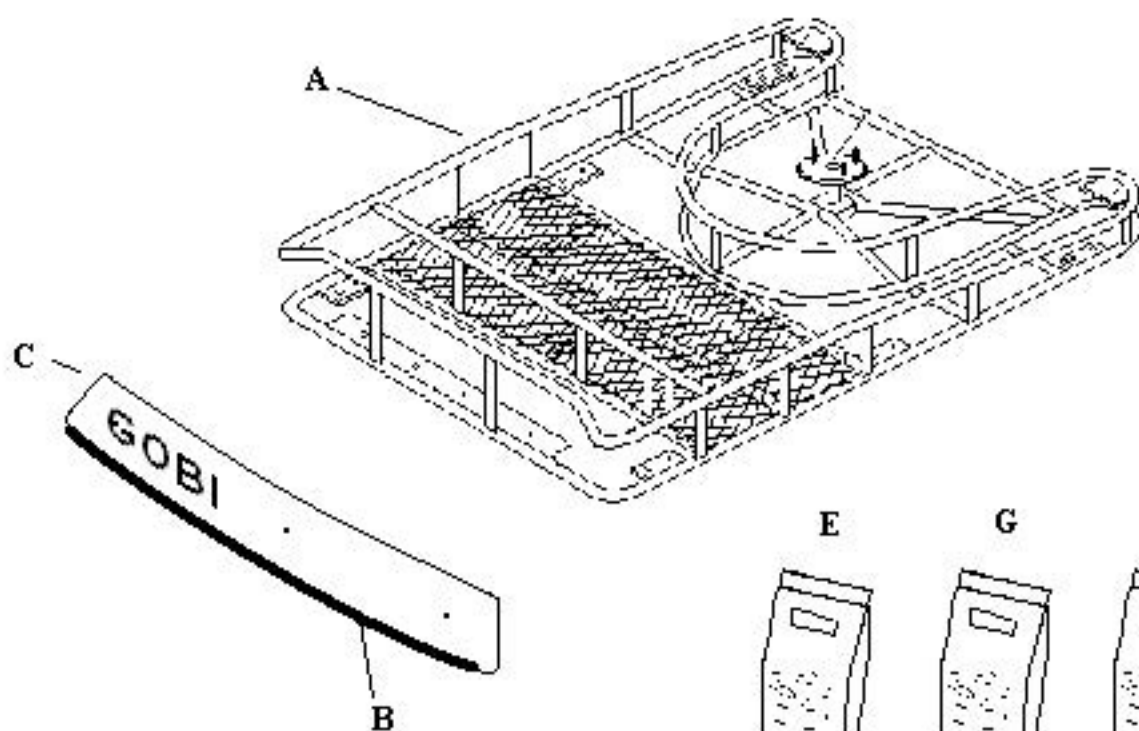
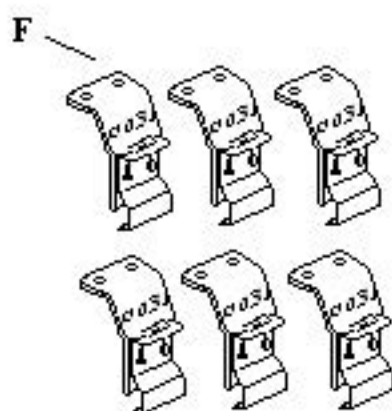
Note: For quick installation use ratchet type wrenches

GOBI JEEP CHEROKEE XJ 1984-2001 ROOF RACK

INSTALLATION INSTRUCTIONS

Included in kit

Letter	Description	Location	Quantity
A	GOBI JEEP CHEROKEE XJ 1984-2001 ROOF RACK	Main box	1
B	WIND DEFLECTOR RUBBER STRIP	pre-assembled	1
C	WIND DEFLECTOR	banded to rack	1
D	WIND DEFLECTOR BRACKETS	BAG #2	3
E	WIND DEFLECTOR HARDWARE (Inside Bag #2 banded to wind deflector)	BAG #2 banded to rack	1
F	GOBI SUPPORT BRACKETS	Hardware Box	6
G	GOBI SUPPORT BRACKET HARDWARE CONTENTS: 12- 3/8-16x1 stainless steel hex bolt 24- 3/8" stainless steel washer 12- 3/8" Nylock nut 6 - rubber pad black	BAG #3 Hardware Box	1
H	GOBI DRIVING/FOG LIGHT SPACER WASHER CONTENTS: 28- washer black zinc (FOR RANGER ONLY)	BAG #4 Hardware Box	1



GOBI JEEP CHEROKEE XJ 1984-2001 ROOF RACK INSTALLATION INSTRUCTIONS

INSTALLATION INSTRUCTIONS:

- 1- Plastic Bag labeled #1 remove contents and press rubber protective strip #1 onto bottom of fairing #2 as shown on page 6 Fig. 1.
- 2- Plastic Bag labeled #2 remove contents and place black button head screw #3 thru black washer and then thru fairing #2. Place fairing onto bracket #4 and attach black washer, lock washer and wing nut finger tighten only. Attach all 3 brackets as shown on page 6 Fig. 1 but do not attach fairing to rack at this time.
- 3- If your vehicle's roof has the original factory cross bars reposition both cross bars to the rear of the roof track.
- 4- Plastic Bag labeled #3 remove contents and attach all 6 Gobi Support brackets "F" to roof rack "A" in the direction shown in the illustration Fig. 1 page 6 be sure to place rubber pad #7 between Gobi Support Bracket "F" and roof rack welded in brackets as shown in fig. 1 page 6. Finger tighten bolts and nuts only at this time.
- 5- Place the complete Gobi roof rack with attached brackets "F" on top of your vehicles roof be sure to place all 6 Gobi brackets "F" into vehicle roof gutter. (Make sure the tire support hub nut found under your Gobi roof rack directly below #12 Fig. 1 page 6 is not in contact with your vehicle original roof rack cross bars). If contact is made slide your factory cross bars in a position away from the tire hub support nut but maintain the factory cross bar within close proximity to the tire hub support nut. Once all 6 Gobi brackets are seated into vehicle gutter slide rack either towards the front or rear of the vehicle so that a distance of approximately 8 inches (203mm) is measured between the front of the first Gobi bracket "F" and the forward beginning of the roof rack gutter as shown in Fig. 2 page 6. If by sliding your Gobi roof rack towards the front or rear of your vehicle causes the Gobi racks tire hub support nut to make contact with the factory cross bars reposition your factory cross bars to prevent contact once again.
- 6- After the Gobi roof rack has been positioned properly onto the vehicles roof and all Gobi support brackets "F" are seated into the vehicles roof gutter be sure that each Gobi support bracket clamp #6 as shown in Fig. 2 page 6 has been positioned under roof gutter #12 also shown in Fig. 2 page 6. Snug down but remove all play from carriage bolts #9 of clamp #6 while still maintaining that clamp #6 is under roof gutter #12 Fig. 2 page 6. After all carriage bolts have been snugged down, tighten down all support bracket clamp bolts #9a in Fig. 2 page 6 so that clamp #6 has been tightened securely to roof gutter #12 Fig. 2 page 6. Do not over tighten clamp as you may damage the vehicles roof gutter. Once all clamp screws #9a have been tightened go back and completely tighten and secure carriage bolts #9.
- 7- Completely tighten all bolts and nuts #11 to securely anchor roof rack "A" to Gobi support brackets "F" as shown in Fig. 1 page 6.

GOBI JEEP CHEROKEE XJ 1984-2001 ROOF RACK INSTALLATION INSTRUCTIONS

INSTALLATION INSTRUCTIONS CONT.

- 8- All wind deflector installation instructions are located inside Bag #2 which is attached to wind deflector. Wind deflector is banded to roof rack.

- 9- If your GOBI roof rack is equipped with a tire carrier remove the protective covering on the threaded studs of the tire carrier support plate #12 at this time. Place the spare tire on top of the tire carrier support plate #12 making sure the inner rim of the spare tire is in contact with the tire carrier support plate #12. Position the tire carrier support plate #12 approximately 3/4" to 1" below the inner spare tire rim surface. You will have to lift the tire and turn the tire carrier support plate #12 clockwise or counter clockwise a few times in order to achieve the desired distance 3/4" to 1" below the inner spare tire rim. When the tire carrier #12 has been adjusted properly install all lug nuts and tighten securely. After the spare tire has been tightened down completely the face of the tire in contact with the roof rack will form slightly around the roof rack tubing this is normal and will prevent the spare tire from moving during transport.

GOBI JEEP CHEROKEE XJ 1984-2001 ROOF RACK INSTALLATION INSTRUCTIONS

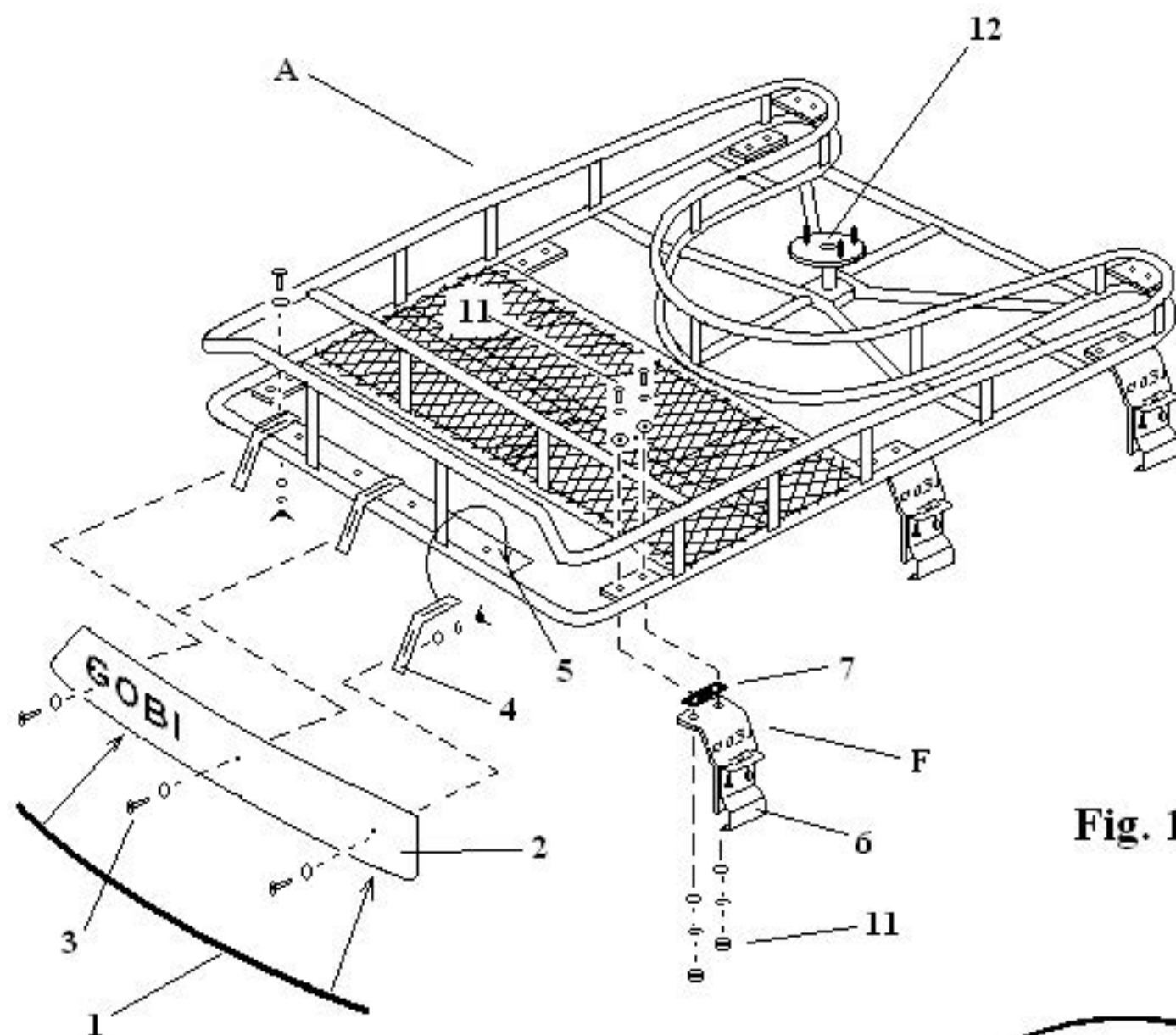


Fig. 1

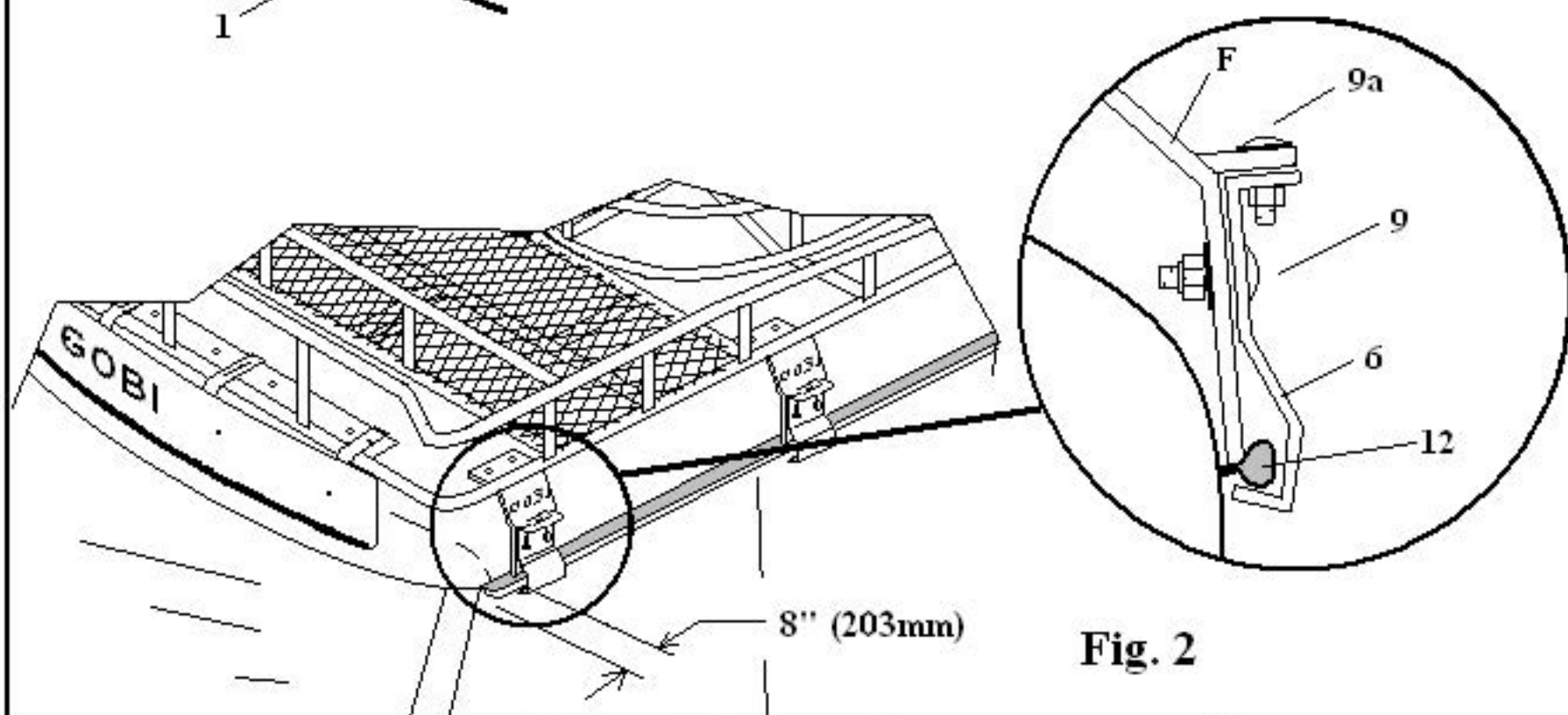


Fig. 2