

GOBI STEALTH ROOF RACK BUNDUTEC AWNING ATTACHMENT

INSTALLATION INSTRUCTIONS

Guidelines:

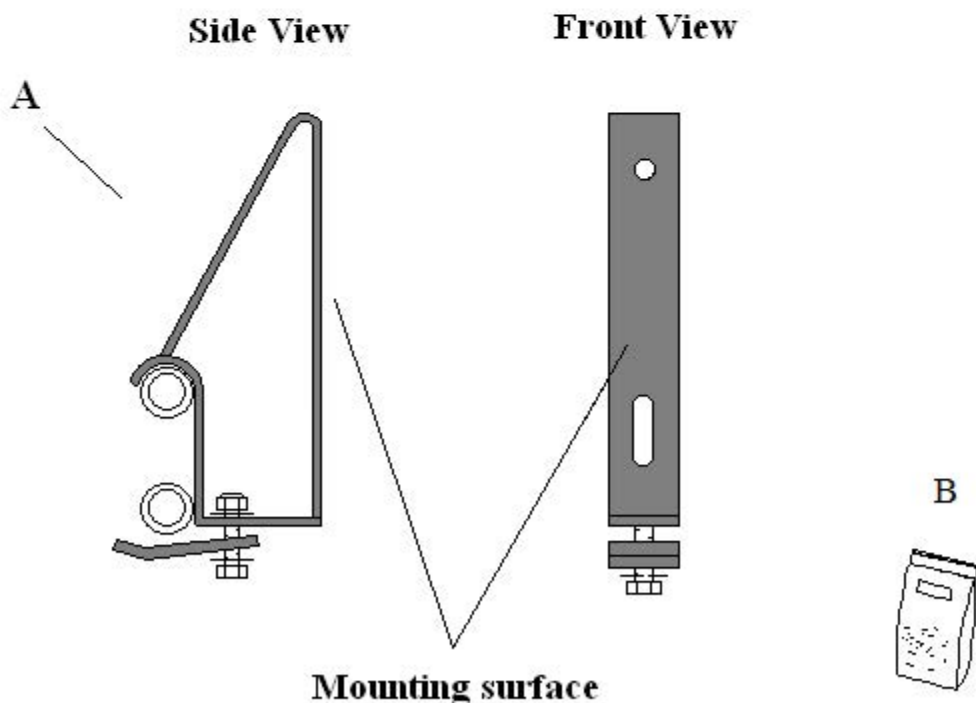
When using Load Carriers and Accessories, the user must understand the precautions. The points listed below will assist you in using the rack /carrier system and will encourage safety.

- For quality fits and safety, use only the recommended rack or accessory. Do not assume an accessory will fit, always check with dealer when obtaining new accessories. Use only approved accessories on load carriers. Using other brands will void your warranty.
- Make sure all knobs, bolts, screws, straps, and locks are firmly attached, tightened and locked before every trip. Knobs, bolts, screws, straps, and locks must be periodically inspected for signs of wear, corrosion, and fatigue. Check your load at stops during the trip to insure continued fastening security.
- Check local and state laws governing projection of objects beyond the width of a vehicle. **Be aware of the width and height of your cargo since low clearance branches, bridges, and parking garages can affect the load** All cargo will affect the vehicle's driving behavior. Never drive with any lock, knob, or rack in an open or unlocked position. All long loads such as, but not limited to sailboards, surfboards, kayaks, canoes, and lumber must be tied down front and rear to the bumpers or tow hooks, of the vehicle.
- Remove your rack accessories when they are not in use, before entering car washes, prior to taking in your vehicle for service, and whenever clearance may be an issue.
- All locks must be turned and moved periodically to insure smooth operation. Use graphite or similar dry lubricant to help this. Locks are designed to deter vandalism and theft. Remove valuable gear if your vehicle is unattended for an extended period. Place at least one key in the glove compartment.
- For safety to your vehicle and rack system, obey all posted speed limits and traffic cautions. Adapt your speed to the conditions of the road and the load being carried.
- Do not use load carriers and accessories for purposes other than those for which they were designed. Do not exceed their carrying capacity.
- Consult with your dealer if you have any questions regarding the operations and limits of this product. Review all instructions carefully.

GOBI STEALTH ROOF RACK BUNDUTEC AWNING ATTACHMENT INSTALLATION INSTRUCTIONS

Included in kit

Letter	Description	Location	Quantity
A	GOBI STEALTH BUNDUTEC AWNING SUPPORT BRACKETS	Main box	2
B	BUNDUTEC AWNING MOUNTING HARDWARE CONTENTS: 4- 3/8-16 x 2" SS hex screws 8- 3/8" SS flat washers 4- 3/8" SS nylock nuts 1- Package Anti-seize lubricant	Bag #1	1



GOBI STEALTH ROOF RACK BUNDUTEC AWNING ATTACHMENT INSTALLATION INSTRUCTIONS

The Bundutec Awning can be installed on either side of the Gobi Stealth roof rack. Refer to Fig. 1 and Fig. 2 below for placement of support brackets (A) make certain to space brackets as far apart as possible for best results space apart approximately 74.5".

Top View

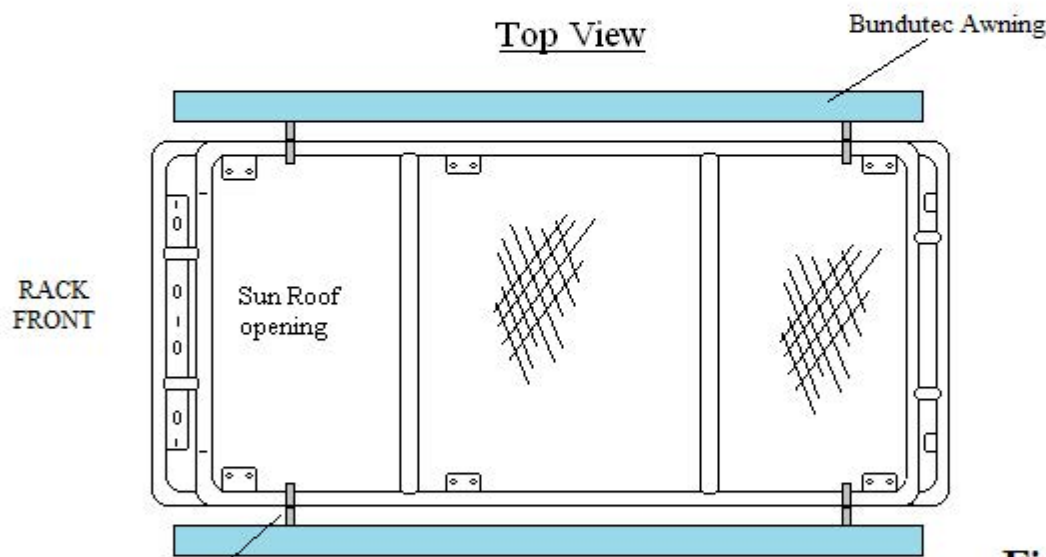


Fig. 1

Side View

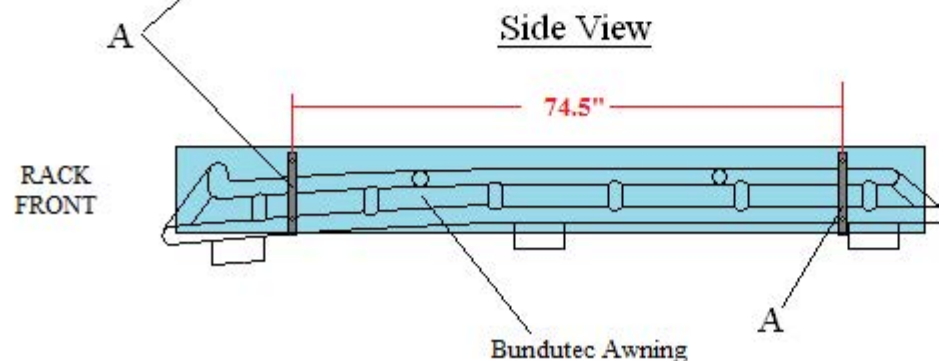
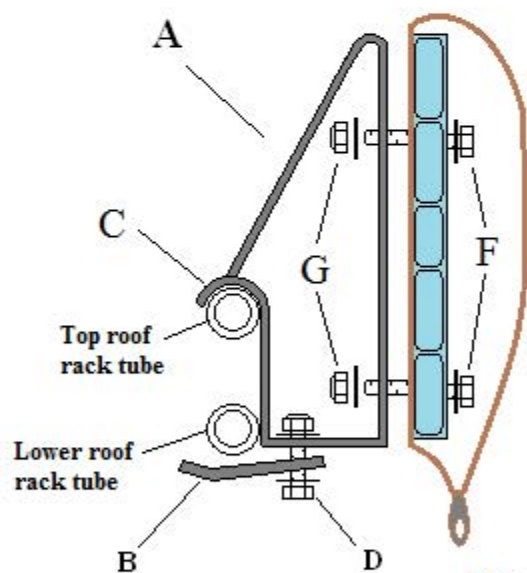
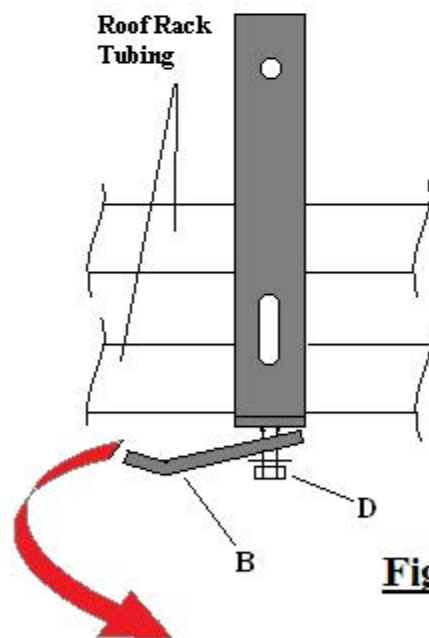
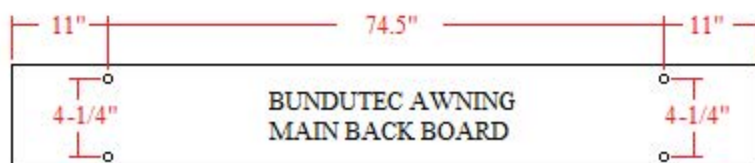


Fig. 2

GOBI STEALTH ROOF RACK BUNDUTEC AWNING ATTACHMENT

INSTALLATION INSTRUCTIONS

- 1- Refer to Fig. 3 and Fig. 4 below swing out pinch clamp (B) and place hook end (C) of support bracket (A) over the top of the roof rack tubing as shown then swing pinch clamp (B) under roof rack tube and fully tighten the 3/8 screw, flat washer and nylock nut (D) using a pair of 9/16 box end or ratchet wrenches.
- 2- Refer to Fig. 5 looking at the back or mounting side of the Bundutec Awning's main aluminum support board measure and drill four 7/16" holes two on each end as shown. Make sure to pull the fabric tight and hold in place when marking and drilling holes. You may want to place a thin piece of 1/8" steel between the main board and the swing arms of the awning so as not to drill into the swing arms accidentally. Once the holes are drilled insert four 3/8-16 x 2" hex head screws and 3/8" grade 8 yellow zinc flat washers (F) located in your hardware kit into each hole from Awning side to the rear or mounting side as shown in Fig. 3 then fold up the Awning and zip closed.
- 3- Using the help of another lift awning and slip all four 3/8 x 2" screws (F) into the slots of the support brackets as shown in Fig. 3 then thread on the 3/8" flat washers and Nylock nuts (G), finger tighten only at this time.
- 4- Open the awning and spread out all 6 arms and secure arms in place then fully tighten the awning on both brackets (A) using a pair of 9/16" box end or ratchet wrench.

**Fig. 3****Fig. 4****Fig. 5**