

GOBI 4TH GEN 03-09 TOYOTA 4 RUNNER STEALTH ROOF RACK

INSTALLATION INSTRUCTIONS

Guidelines:

When using Load Carriers and Accessories, the user must understand the precautions. The points listed below will assist you in using the rack /carrier system and will encourage safety.

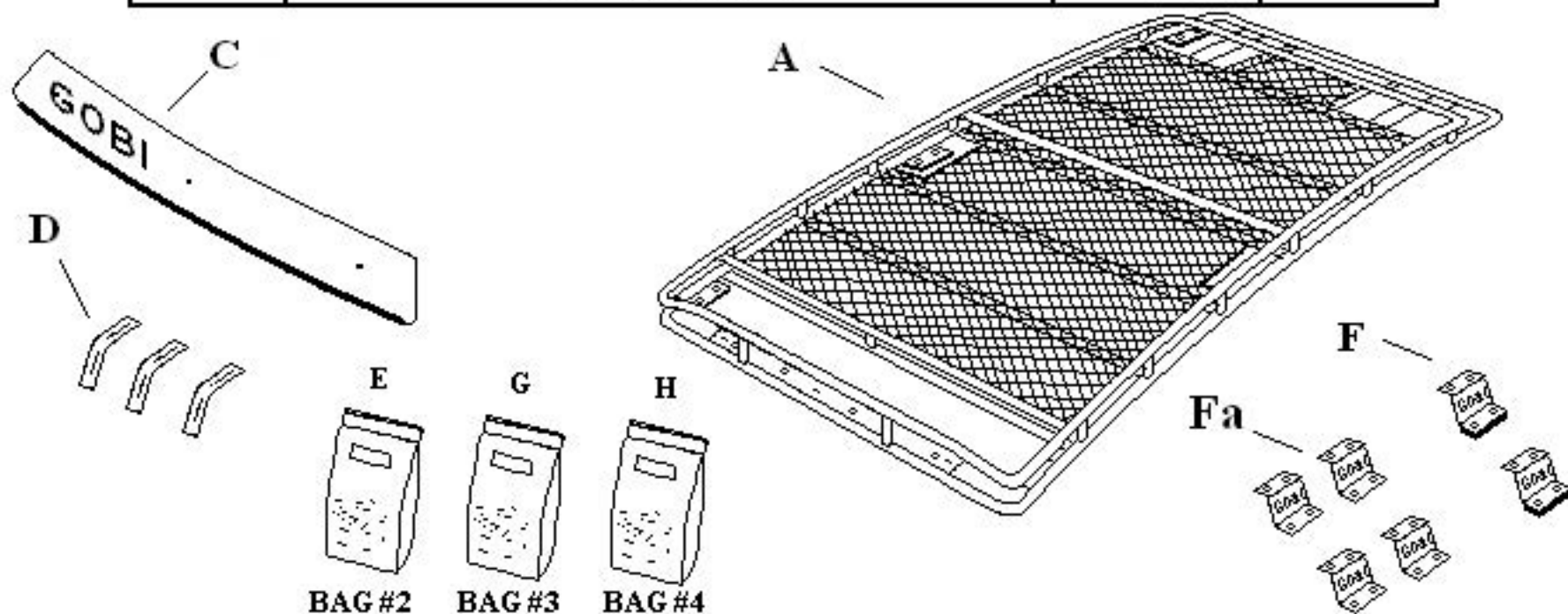
- For quality fits and safty, use only the recommended rack or accessory. Do not assume an accessory will fit, always check with dealer when obtaining new accessories. Use only approved accessories on load carriers. Using other brands will void your warrenty.
- Make sure all knobs, bolts, screws, straps, and locks are firmly attached, tightened and locked before every trip. Knobs, bolts, screws, straps, and locks must be periodically inspected for signs of wear, corrosion, and fatigue. Check your load at stops during the trip to insure continued fastening security.
- Check local and state laws governing projection of objects beyound the width of a vehicle. **Be aware of the width and height of your cargo since low clearance branches, bridges, and parking garages can affect the load** All cargo will affect the vehicle's driving behavior. Never drive with any lock, know, or rack in an open or unlocked position. All long loads such as, but not limited to sailboards, surfboards, kayaks, canoes, and lumber must be tied down front and rear to the bumpers or tow hooks, of the vehicle.
- Remove your rack accessories when they are not in use, before intering car washes, prior to taking in your vehicle for service, and whenever clearance may be an issue.
- All locks must be turned and moved periodically to insure smooth operation. Use graphite or similar dry lubricant to help this. Locks are designed to deter vandalism and theft. Remove valuable gear if your vehicle is unattended for an extended period. Place at least one key in the glove compartment.
- For safety to your vehicle and rack system, obey all posted speed limits and traffic cautions. Adapt your speed to the conditions of the road and the load being carried.
- Do not use load carriers and accessories for purposes other than those for which they were designed. Do not exceed their carrying capacity.
- Consult with your dealer if you have any questions regarding the operations and limits of this product. Review all instructions carefully.

CAUTION: USE ANTI-SEIZE LUBRICANT ON ALL SCREWS

GOBI 4TH GEN 03-09 TOYOTA 4 RUNNER STEALTH ROOF RACK INSTALLATION INSTRUCTIONS

Included in kit

Letter	Description	Location	Quantity
A	GOBI TOYOTA 4 RUNNER FULL SIZE ROOF RACK	Main box	1
B	FAIRING RUBBER PROTECTIVE STRIP	pre-assembled	1
C	FAIRING	banded to rack	1
D	FAIRING BRACKETS (pre-assembled to fairing)	pre-assembled	3
E	FAIRING BRACKET HARDWARD CONTENTS: 3- 1/4-20 x 3/4" SS Button head screw 6- 1/4" black washer 3- 1/4-20 Nylock nut	BAG #2 Hardware Box	1
F	GOBI CENTER SUPPORT BRACKETS (with adjustable pre-attached H-2 spacers)	Hardware Box	2
Fa	GOBI FRONT AND REAR SUPPORT BRACKETS	Hardware Box	4
G	GOBI ROOF MOUNT BRACKET HARDWARE CONTENTS: 4- Cover plates black powder coated 12- Flat double hole Rubber gasket 8- 5/8" x 3/4" Nylon stand off 8- M8 x 50 Mounting screws SS 8- 5/16" Stainless lock washers 8- 5/16" Stainless water proof wa 1- M-5 Metric allen wrench 1- Package Anti-seize lubricant	BAG #3 Hardware Box	1
H	GOBI RACK BRACKET HARDWARE CONTENTS: 12- 3/8" x 1" SS Hex Bolt 24- 3/8" SS Flat washers 12- 3/8" Nylock nut 6- Rubber pads black	BAG #4 Hardware Box	1



GOBI 4TH GEN 03-09 TOYOTA 4 RUNNER STEALTH ROOF RACK

INSTALLATION INSTRUCTIONS

The rack must be inspected before each use to make certain attachments are secure, and for evidence of Wear. Misuse of the rack or failure to observe the manufacturer's instructions as to installation, proper Attachment and maintenance will void any warranties that may be implied by law.

INSTALLATION INSTRUCTIONS:

- 1- Refer to page 2 hardware list check and verify that all hardware is present prior to installation.
- 2- If your vehicle is equipped with an OEM/Original Equipment Roof rack remove it prior to installation by removing all 8 screws anchoring the roof rack to the vehicle roof top using a "T-40" Torx wrench.
- 3- Refer to page 5 Fig. 1 and Fig. 2 (10) located in your hardware kit are 12 black double holed rubber seals or washers (10). Place one rubber seal (10) onto the roof top over and around each of the plastic tubes (C) protruding from the vehicle roof top as shown on page 5 Fig. 2. Make sure that seal (10) lays flat around each of the plastic tubes (C). Then place two nylon spacers (D) over each of the plastic tubes and over the rubber seal (10). Follow by a second rubber seal over the two nylon spacers (D). Continue by laying over the top of the rubber seal (10) flat cover plate (E) then one more seal (10) and finally support bracket (8Fa). Complete the assembly by using two button head M8 x 40 SS screws, lock washers and water proof washer (9) located in Bag #3 of your hardware kit and thread them through support bracket (8Fa), seal (10), cover plate (E), second seal (10), nylon spacers (D), third seal (10) and finally into vehicle roof top mounting holes. Be sure to thread the first screw only a quarter of the way down then apply the second screw only a quarter of the way down. Continue back and forth threading each screw deeper into the roof top this will prevent the potential of the nut plate under the roof top from dislodging during the install. After both screws are in place snug down only as the support brackets (8Fa) will have to be adjusted later. Continue the same procedure to all 4 support brackets (8Fa) as shown in Fig. 1 and Fig. 2.
- 4- Refer to page 5 Fig. 1 and page 6 Fig 4 with the help of two others carefully place the Gobi roof rack (11) onto the 4 support brackets (8Fa). Continue by carefully placing rubber pad (10a) located in Bag #4 between each of the welded flanges (11a) and support brackets (8Fa). Secure the Gobi rack to the 4 (8Fa) supports brackets using the Stainless Steel 3/8" hex bolts, flat washers, lock washers and yellow zinc nylock nuts located in Bag #4 of your hardware kit as shown in Fig. 1 page 5 (12). Finger tighten only at this time.
- 5- Refer to page 5 Fig. 3 and locate center support bracket (8F) from your hardware kit and loosen the two 5/16" button head screws (15) as shown on page 5 Fig. 3 using a 3/16" Allen wrench at this time. Install the center Gobi support bracket (8F) as shown on page 5 Fig. 3 by tilting the bracket under the Gobi roof rack and under the Center Gobi welded in flange (11a). Position the adjustable foot (14) onto the rubber strip (16) of the vehicle. Place rubber pad (10) between the welded in flange (11a) of the roof rack and the support bracket (8F) as shown on page 5 Fig. 3. Install hex bolts (12) flat washers, lock washers and yellow zinc 3/8 nylock nut located in Bag #4 of your hardware kit and secure the center support bracket (8F) to the center welded in flange (11a) as shown on page 5 Fig. 1. Finger tighten only at this time. Position the adjustable foot (14) to the center of the rubber strip of the vehicle but do not retighten screws (15) at this time.
- 6- Refer to page 5 Fig. 1 and Fig. 2 fully secure all 4 (8Fa) support brackets to the vehicle roof top by fully tightening the metric screws (9) using the M5 metric Allen wrench located in Bag #3 of your hardware kit.

CAUTION: USE ANTI-SEIZE LUBRICANT ON ALL SCREWS

GOBI 4TH GEN TOYOTA 4 RUNNER STEALTH ROOF RACK INSTALLATION INSTRUCTIONS

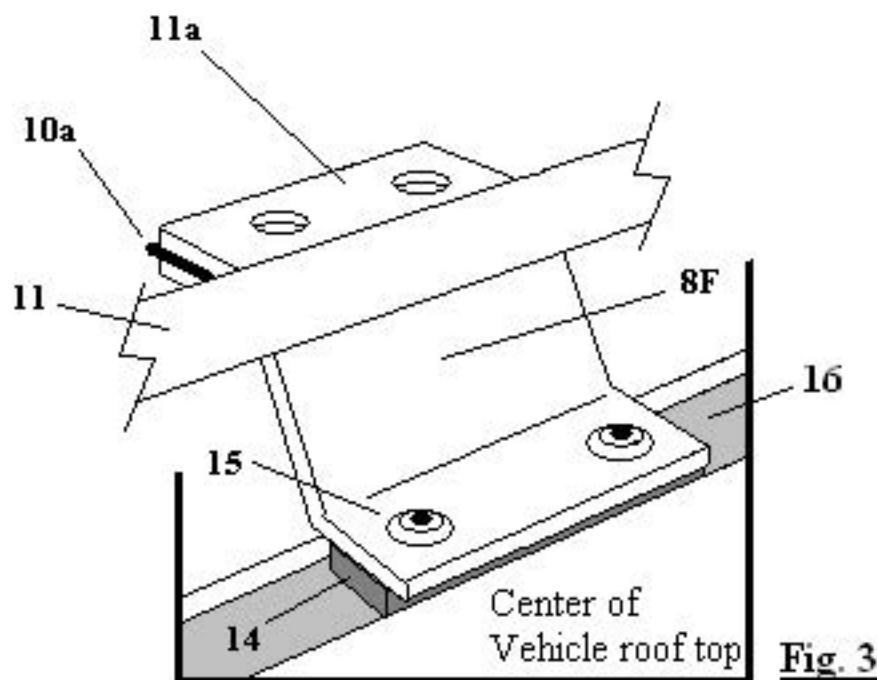
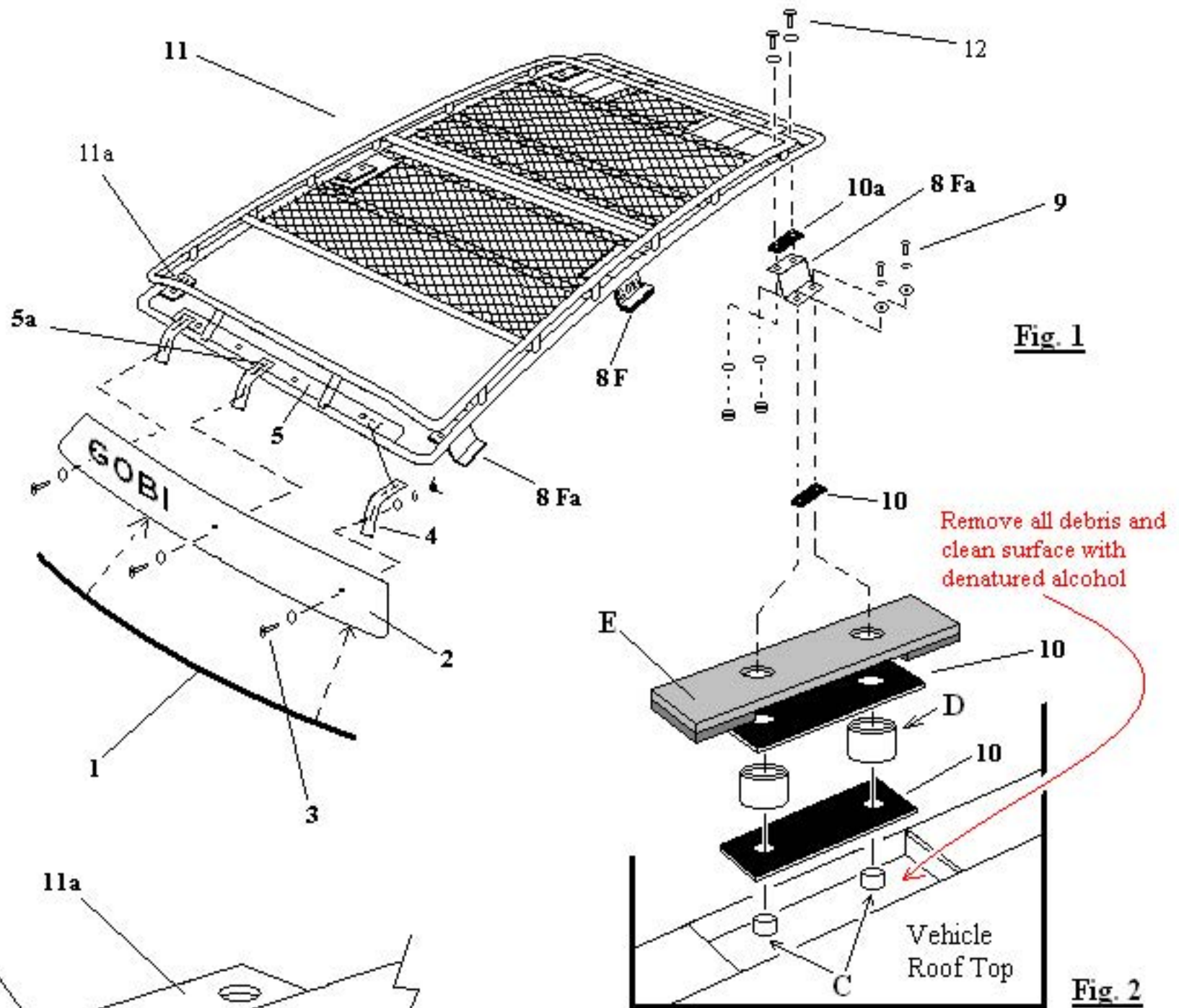
The rack must be inspected before each use to make certain attachments are secure, and for evidence of Wear. Misuse of the rack or failure to observe the manufacturer's instructions as to installation, proper Attachment and maintenance will void any warranties that may be implied by law.

INSTALLATION INSTRUCTIONS CONTINUED:

- 7-Refer to page 5 Fig. 1 and fully secure the Gobi roof rack (11) to the 4 support racks (8Fa) by tightening all remaining (12) hex bolts, flat washers, lock washers and yellow zinc 3/8" nylock nuts. Continue by securing the 2 center support brackets (8F) in the same manner while making sure that center brackets (8F) are in line with the roof rack as shown on page 6 Fig. 5 (H). At this time the center support brackets (8F) should be pressing against the rubber strip (16) of your vehicle. Adjust the support feet (14) as shown on page 5 Fig. 3 to be approximately in the center of the rubber strip (16) and tighten the two 5/16" button head Allen screws firmly using the 3/16" Allen wrench supplied in your kit.
- 8-Refer to page 6 Fig. 4 Fairing (2) comes pre-assembled with fairing bracket (4) attached. The position of each attached fairing bracket may not be fixed at the proper height for your particular roofline. Adjustments may need to be performed in order for the fairing to form correctly to your vehicle's roof line. Begin by attaching the fairing's center bracket to the middle slot (5a) of the Gobi roof rack light bar (5) shown on page 6 Fig. 4, use the 1/4" button head screws, black nylon washer and nylock nuts supplied in Bag #2. Provide approximately a 1-1/2" to 2" gap between the fairing and the Gobi rack outer tube as shown on page 6 Fig. 6a, tighten down the center nut and screw at this time. Proceed to either the right or left hand side and pull the fairing in the direction of the arrows on page 6 Fig. 5 letters (F) and (G) while pushing down on the fairing towards the roof top at the same time. Pull each side until the fairing makes contact with the Gobi rack or comes within close proximity. You will need to angle the Gobi fairing brackets (4) towards the Gobi light bar fairing slots at the ends of the Gobi light bar (5) in order to secure properly. Then insert the 1/4" button head screw and black nylon washer through the fairing bracket (4) then through the Gobi light bar slot and secure the fairing in place with another 1/4" black nylon washer and nylock nut to the underside of the light bar. Proceed to the opposite side and continue attaching the fairing in the same manner. Be sure that the fairing throughout its length is making contact with the roof top as snug as possible. Fairing brackets may need to be adjusted either up or down and in some cases you may bend the fairing bracket to accommodate the final result. If a slight gap should appear between the vehicle roof and the bottom center of the fairing loosen the center fairing bracket and allow the bracket to relax and the center of the fairing will make contact with the roof line. Once the fairing is in the proper position tighten all fairing bracket screws firmly. Roof rack installation is now complete.

CAUTION: USE ANTI-SEIZE LUBRICANT ON ALL SCREWS

GOBI 4TH GEN 03-09 TOYOTA 4 RUNNER STEALTH ROOF RACK INSTALLATION INSTRUCTIONS



GOBI 4TH GEN 03-09 TOYOTA 4 RUNNER STEALTH ROOF RACK INSTALLATION INSTRUCTIONS

