

## GOBI RANGER 2 AXE/SHOVEL ATTACHMENT

### INSTALLATION INSTRUCTIONS

#### Guidelines:

When using Load Carriers and Accessories, the user must understand the precautions. The points listed below will assist you in using the rack / carrier system and will encourage safety.

- For quality fits and safety, use only the recommended rack or accessory. Do not assume an accessory will fit, always check with dealer when obtaining new accessories. Use only approved accessories on load carriers. Using other brands will void warranty.
- Make sure all knobs, bolts, screws, straps, and locks are firmly attached, tightened and locked before every trip. Knobs, bolts, screws, straps, and locks must be periodically inspected for signs of wear, corrosion, and fatigue. Check your load at stops during the trip to insure continued fastening security.
- Check local and state laws governing projection of objects beyond the width of a vehicle. **Be aware of the width and height of your cargo since low clearance branches, bridges, and parking garages can affect the load.** All cargo will affect the vehicle's driving behavior. Never drive with any lock, knob, or rack in an open or unlocked position. All long loads such as, but not limited to sailboards, surfboards, kayaks, canoes, and lumber must be tied down front and rear to the bumpers or tow hooks, of the vehicle.
- Remove your rack accessories when they are not in use, before entering car washes, prior to taking in your vehicle for service, and whenever clearance may be an issue.
- All locks must be turned and moved periodically to insure smooth operation. Use graphite or similar dry lubricant to help this. Locks are designed to deter vandalism and theft. Remove valuable gear if your vehicle is unattended for an extended period. Place at least one key in the glove compartment.
- For safety to your vehicle and rack system, obey all posted speed limits and traffic cautions. Adapt your speed to the conditions of the road and the load being carried.

## GOBI RANGER 2 AXE/SHOVEL ATTACHMENT INSTALLATION INSTRUCTIONS

### Included in kit

Letter	Description	Quantity
A	GOBI AXE/SHOVEL BRACKETS WITH LOCKING KNOBS	2



## GOBI RANGER 2 AXE/SHOVEL ATTACHMENT INSTALLATION INSTRUCTIONS

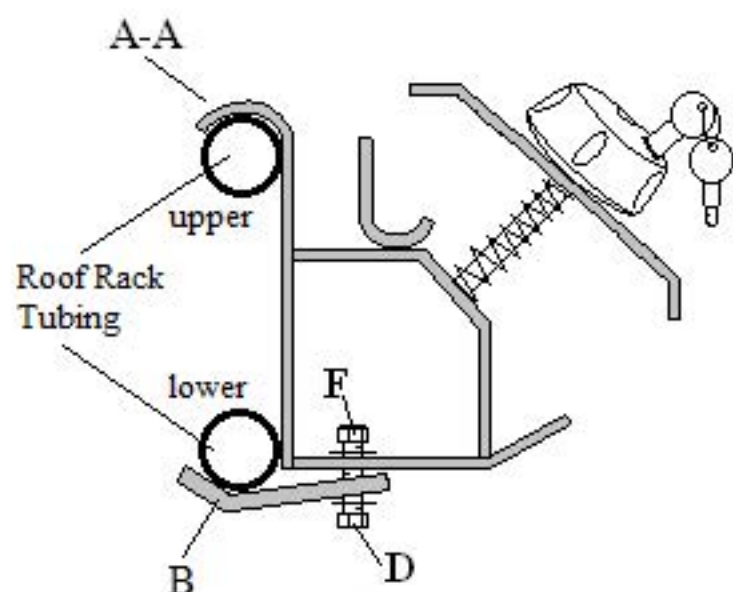
### Installation instructions:

The Gobi Ranger 2 Axe/Shovel attachment has been designed to mount to either the passenger or driver side of a Gobi Ranger style roof rack which measures approximately 4-3/4" from the top to the bottom rack tubing as shown in Fig. 3 page 4.

- 1- Gobi Axe/Shovel mount brackets are to be spaced 14" apart as shown in Fig. 3 page 4.
- 2- Refer to Fig. 2 below and loosen screw (D), swing out clamp plate (B) to the right or left of the bracket as shown by the red arrows. Place the Gobi Axe/Shovel bracket so that the top or hook end (A-A) is hooked over the upper tube as shown in Fig. 1.
- 3- Swing clamp (B) under the lower tube as shown in Fig. 1 and use two 9/16" open or box end wrenches to fully tighten down screws (D) and (F). During the securing process maintain that the bracket is vertically true as shown in Fig. 2.
- 4- Set the second Gobi Axe/Shovel bracket approximately 14" apart from the first bracket just previously installed as shown in Fig. 3 page 4. Fully tighten the second Gobi Axe/Shovel bracket in place as described previously in lines 2 thru 3 above.

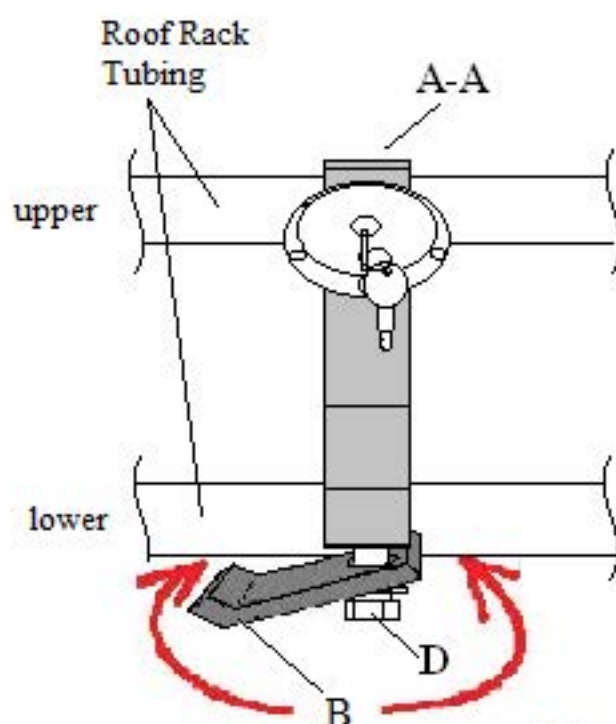
Continue on to page 5

### SIDE VIEW



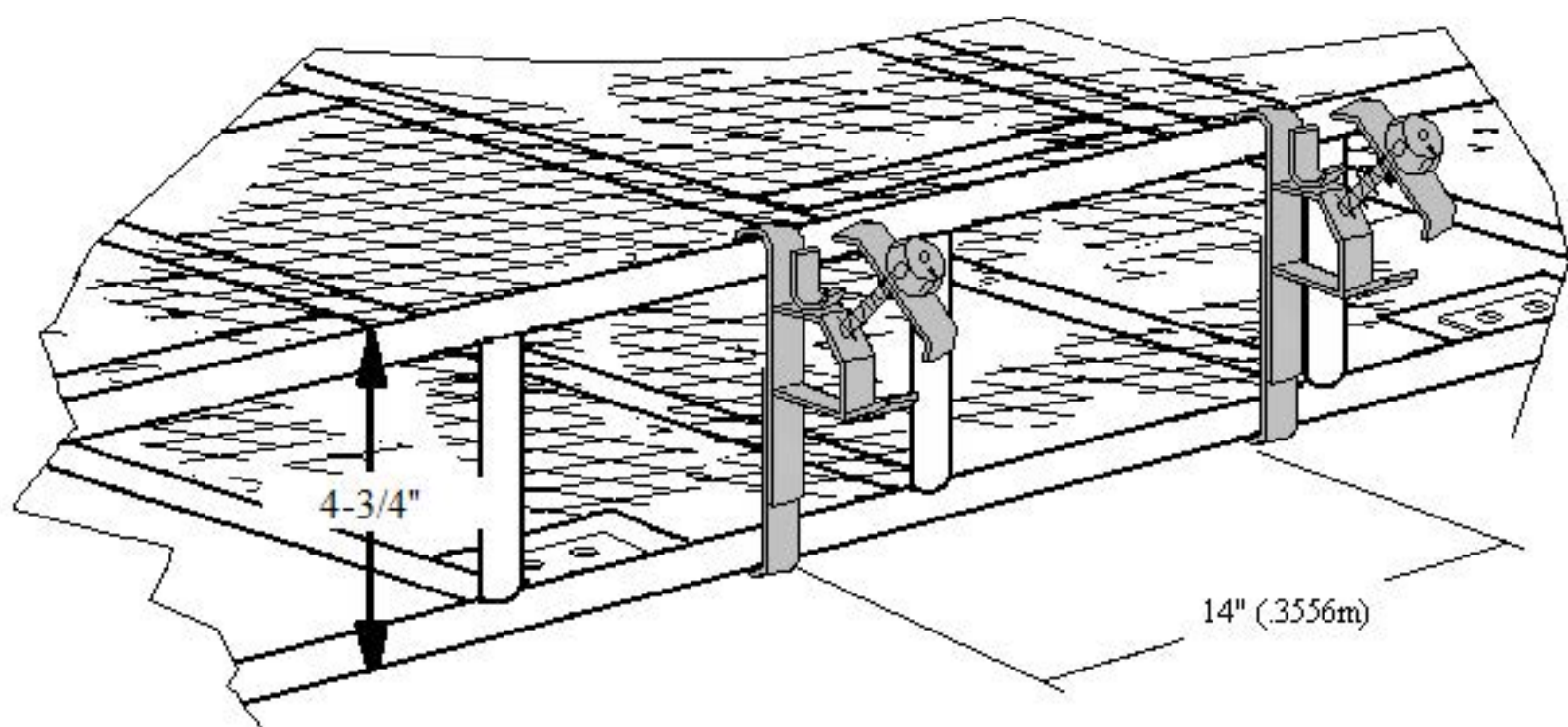
**Fig. 1**

### FRONT VIEW



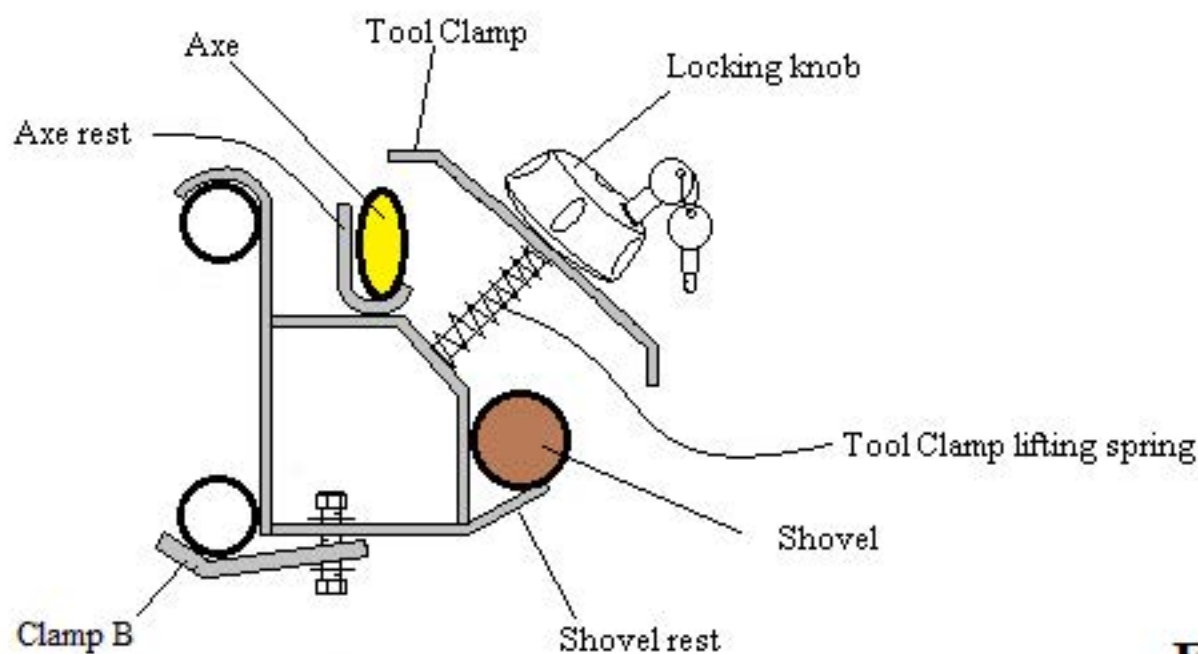
**Fig. 2**

## GOBI RANGER 2 AXE/SHOVEL ATTACHMENT INSTALLATION INSTRUCTIONS



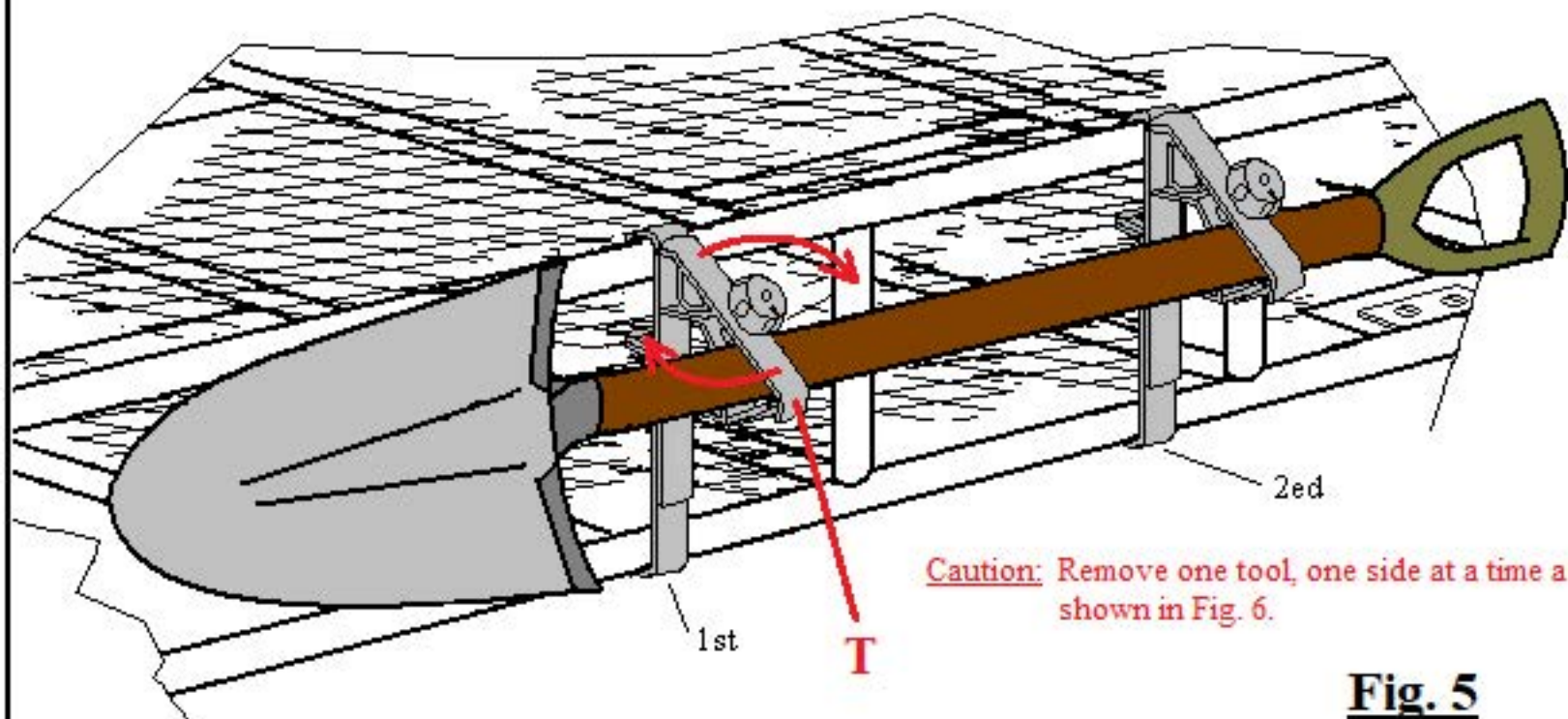
**Fig. 3**

### Part Description



**Fig. 4**

## GOBI RANGER 2 AXE/SHOVEL ATTACHMENT INSTALLATION INSTRUCTIONS



### User Safety Instructions:

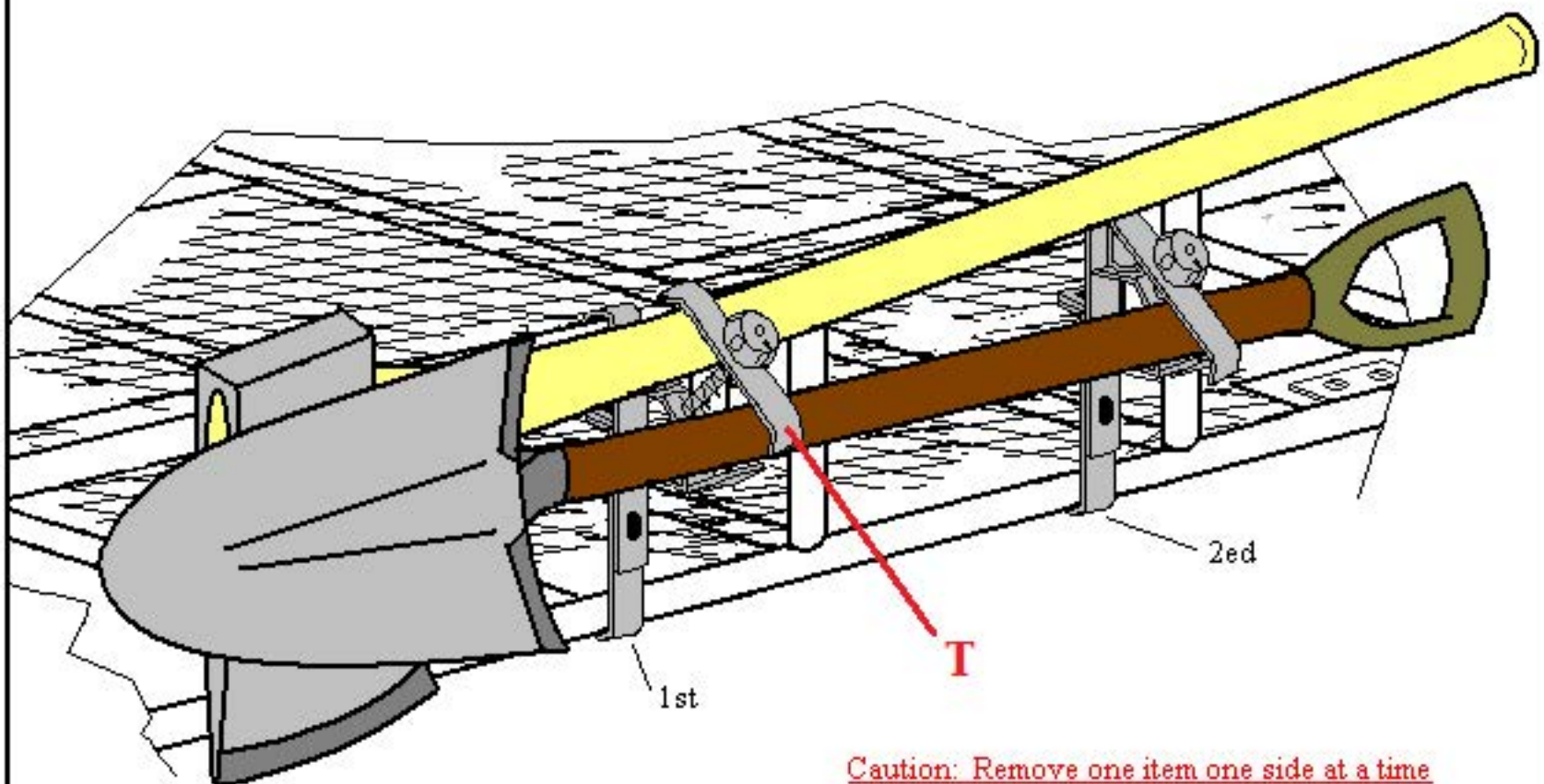
When installing or removing the Axe and or Shovel into the bracket assembly, take extreme caution that no persons are immediately under or around you. Axe and or Shovel may slip from your hands causing serious injury.

**\*When removing Axe and or Shovel remove one tool at a time one side at a time using the following procedure.**

Installing Axe/Shovel:

- 1- Both "Locking knobs" must be completely loosened at this time. To loosen, turn locking key and remove so that the knob can be locked to the internal nut. This will allow you to unscrew the knob on the threaded post. Loosen the locking knobs close to the end of the threaded post. **"Do not remove the knobs"**. The tool clamp (T) as shown in Fig. 5 can be twisted clockwise or counter clockwise as shown by the red arrows and moved out of the way to easily place or remove the Axe and or Shovel. **Both locking knobs must remain on the threaded posts at all times.**
- 2- Place a Shovel onto the shovel rest as shown in Fig. 5 then align the Tool clamps with the Axe/Shovel brackets as shown in Fig. 5. Tighten both "Locking knobs" securely and turn the key so that the "Locking knobs" turn freely to prevent theft.
- 3- If you wish to install an Axe, first completely loosen the "Locking knob" closest to the spade side of the shovel as shown in Fig. 6 page 6 (1st bracket). Turn clamp plate (T) horizontal so that it will not interfere with the Axe installation. Do not loosen the 2ed "Locking knob" at this time.
- 4- Place the head side of the Axe onto the Axe rest of the Axe/Shovel brackets as shown in Fig. 6 page 6 (1st bracket) and tighten down the "Locking knob" while aligning the Tool clamp (T) with the Axe/Shovel bracket so that both the Axe and Shovel cannot be removed. **Do not fully tighten 1st bracket knob at this time.**
- 5- Completely loosen the "Locking knob" of the (2ed bracket) which is holding down the handle side of the Shovel. Twist clamp (T) out of the way and place the handle side of the Axe onto the Axe rest of the Axe/Shovel bracket and align clamp (T) to the bracket and tighten "Locking knob" back down completely.
- 6- Tighten down both "Locking knobs" firmly and securely at this time. After checking that both Axe and Shovel are firmly held in place with Tool clamps (T) in line with both brackets, use the keys and unlock the inner nut of the knob so that the knobs spin freely preventing theft of the tools. Installation completed.

## GOBI RANGER 2 AXE/SHOVEL ATTACHMENT INSTALLATION INSTRUCTIONS



Caution: Remove one item one side at a time

**Fig. 6**

### User Safety Instructions:

Removing the Axe and or Shovel:

- 7- Completely loosen the "Locking knob" of the (2ed bracket) while holding down the handle side of the Axe and Shovel as shown in Fig. 6. Twist tool clamp (T) horizontal and remove the handle side only of the Axe or Shovel which ever tool you wish to remove first, outside the tool clamp. Re-align the tool clamp with the Axe/Shovel bracket and retighten the "Locking knob" to hold down the tool left in the Axe/Shovel brackets.
- 8- Loosen the (1st bracket) "Locking knob" as shown in Fig. 6 while holding down the Axe and Shovel in place. Twist tool clamp (T) horizontally and release the same tool released from the 2ed bracket and place the tool in a safe location on the roof rack or the ground close to you.
- 9- Repeat the procedure #7 thru #8 to remove the tool left in the Axe/Shovel attachment or securely tighten and lock both "Locking knobs" for the tool remaining in the Axe/Shovel attachment.

**"Use Caution when installing or removing Axe or Shovel from brackets as they may slip from your hand causing serious injury or damage to your vehicle."**