

GOBI FULL SIZE HUMMER H3T ROOF RACK INSTALLATION INSTRUCTIONS

Guidelines:

When using Load Carriers and Accessories, the user must understand the precautions. The points listed below will assist you in using the rack /carrier system and will encourage safety.

- For quality fits and safty, use only the recommended rack or accessory. Do not assume an accessory will fit, always check with dealer when obtaining new accessories. Use only approved accessories on load carriers. Using other brands will void your warrenty.
- Make sure all knobs, bolts, screws, straps, and locks are firmly attached, tightened and locked before every trip. Knobs, bolts, screws, straps, and locks must be periodically inspected for signs of wear, corrosion, and fatigue. Check your load at stops during the trip to insure continued fastening security.
- Check local and state laws governing projection of objects beyound the width of a vehicle. **Be aware of the width and height of your cargo since low clearance branches, bridges, and parking garages can affect the load** All cargo will affect the vehicle's driving behavior. Never drive with any lock, know, or rack in an open or unlocked position. All long loads such as, but not limited to sailboards, surfboards, kayaks, canoes, and lumber must be tied down front and rear to the bumpers or tow hooks, of the vehicle.
- Remove your rack accessories when they are not in use, before intering car washes, prior to taking in your vehicle for service, and whenever clearance may be an issue.
- All locks must be turned and moved periodically to insure smooth operation. Use graphite or similar dry lubricant to help this. Locks are designed to deter vandalism and theft. Remove valuable gear if your vehicle is unattended for an extended period. Place at least one key in the glove compartment.
- For safety to your vehicle and rack system, obey all posted speed limits and traffic cautions. Adapt your speed to the conditions of the road and the load being carried.
- Do not use load carriers and accessories for purposes other than those for which they were designed. Do not exceed their carrying capacity.
- Consult with your dealer if you have any questions regarding the operations and limits of this product. Review all instructions carefully.

CAUTION: APPLY ANTI-SEIZE LUBRICANT TO ALL SCREWS

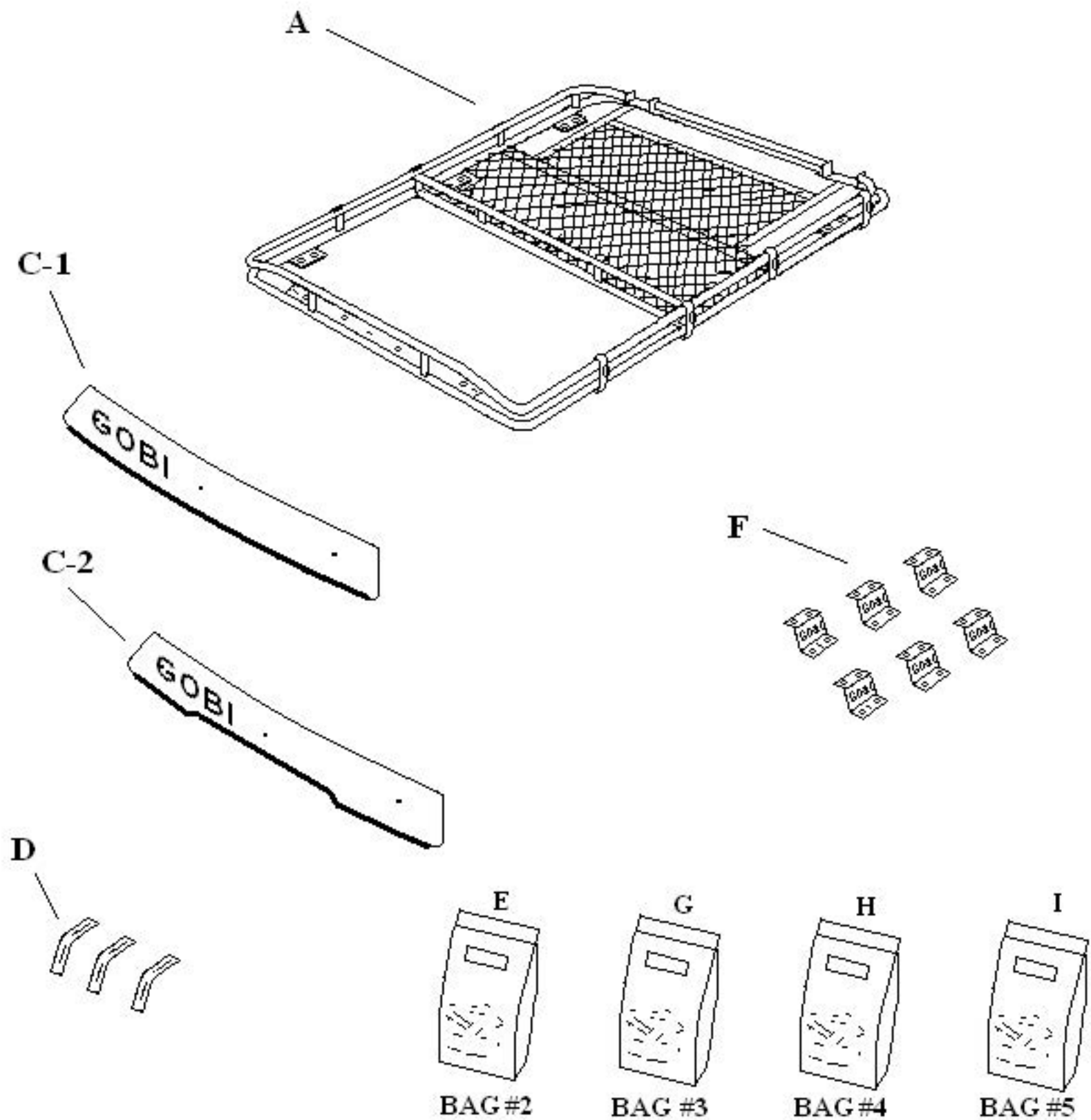
GOBI FULL SIZE HUMMER H3T ROOF RACK INSTALLATION INSTRUCTIONS

Included in kit

| Letter | Description | Location | Quantity |
|------------------|---|--|----------|
| A | GOBI HUMMER H3 FULL SIZE ROOF RACK | Main box | 1 |
| B | FAIRING RUBBER PROTECTIVE STRIP | pre-assembled | 1 |
| C-1 or C-2 | FAIRING C-1 Standard or C-2 Marker Light Bar Style (Determined upon initial order) | banded to rack | 1 |
| D | FAIRING BRACKETS (pre-assembled to fairing) | pre-assembled | 3 |
| E | FAIRING BRACKET HARDWARE CONTENTS: 3- 1/4-20x3/4" SS Button head screw 6- 1/4" Black nylon washer 3- 1/4-20 Nylok nut | BAG #2 Hardware Box | 1 |
| F | GOBI SUPPORT BRACKETS | Hardware Box | 6 |
| G | GOBI SUPPORT BRACKET HARDWARE CONTENTS: 6- "T" nut Aluminum 12- 5/16"-18 x 1" Stainless button head screw 12- 5/16" Stainless washer 12- 5/16" Stainless lock washer 6- Black rubber pads 1- 5/16" allen wrench 1- Package of anti-seize lubricant | BAG #3 Hardware Box | 1 |
| H | GOBI ROOF RACK HARDWARE CONTENTS: 12- 3/8 -16 x 1" SS Hex bolt 24- 3/8" SS Flat washers 12- 3/8" Nylock nuts 6- Black rubber pads | BAG #4 Hardware Box | 1 |
| I | GOBI DRIVING/FOG LIGHT SPACER WASHER CONTENTS: 28- washer black zinc (not required for Stealth roof rack) | BAG #5 Driving/Fog Light Spacer Washers | 1 |

CAUTION: APPLY ANTI-SEIZE LUBRICANT TO ALL SCREWS

GOBI FULL SIZE HUMMER H3T ROOF RACK INSTALLATION INSTRUCTIONS



CAUTION: APPLY ANTI-SEIZE LUBRICANT TO ALL SCREWS

GOBI FULL SIZE HUMMER H3T ROOF RACK INSTALLATION INSTRUCTIONS

The rack must be inspected before each use to make certain attachments are secure, and for evidence of Wear. Misuse of the rack or failure to observe the manufacturer's instructions as to installation, proper Attachment and maintenance will void any warranties that may be implied by law.

Installation instructions:

- 1- Using the hardware list on page 2 of the Gobi instructions manual check to verify that all hardware is present prior to install.
- 2- Remove factory OEM cross bars if present at this time they are no longer needed.
- 3- Refer to page 5 Fig. 2, 3, 4 and 5 then remove black "T" nuts located in plastic bag #3 included in your hardware kit. Install all 6 "T" nuts by slipping the "T" nuts into the roof top OEM track as shown and dimensioned in Fig. 2, 3, and 5 on page 5. Place on top of OEM factory roof track above each "T" nut rubber pads #7 as shown in Fig. 5. Using the 5/16" button head screws, washer and lock washer located in bag #3 place all 6 Gobi support brackets with the label "THIS SIDE UP" facing upwards onto the rubber pads #7 above each "T" nut and thread screws into each "T" nut as shown in Fig. 4, 5 and 1. Snug down screws only at this time.
- 4- Refer to page 6 Fig. 6 and remove OEM screws #8c from vehicle roof trim using the T-27 Torx wrench located in bag #3. Install plastic spacer #8b located in bag #3 into the H3 roof trim well Fig. 7 page 6 and place the Gobi support bracket #8a labeled "FRONT" over the spacer as shown both passenger and driver side. Continue by using the 4mm Allen wrench located in bag #3 and place the 6mm x 60mm metric screw and washer through the center slot of the Gobi support bracket #8a and down through the plastic spacer #8b then into vehicle roof and snug down as shown in Fig. 7 page 6. Do not fully tighten at this time.
- 5- Refer to page 5 Fig. 4 and place the Gobi roof rack #11 onto the 8 installed Gobi brackets #8. Take "CAUTION" while lifting the Gobi rack onto the vehicle roof top so as not to damage the XM/On Star antenna. Align bolt holes of welded in flanges #11a of roof rack #11 Fig. 4 to Gobi support bracket bolt holes #8 then slide in between the support brackets #8 and roof rack welded in flanges #11a rubber pad #7 Fig. 5 and 4. Remove the 3/8"-16 x 1" bolts, washers and nuts #12 Fig. 4 from plastic bag #4 included in your hardware kit and attach roof rack #11 to support brackets #8 as shown in Fig. 4. Finger tighten only at this time.
- 6- Refer to page 5 Fig. 4 after all hardware has been installed and finger tightened continue by fully tightening screws #9 Fig. 4 so that the Gobi brackets #8 are fully secured to the "T" nuts and the OEM roof track. Continue further by fully tightening screws, washers and nuts #12 Fig. 4 until the Gobi rack is fully secured to Gobi support brackets #8.
- 7- Refer to page 3, farring installation is determined by the vehicle roof trim. The C-1 farring shown on page 3 is designed to fit a roof line with No exterior front Marker lights. The C-2 farring also shown on page 3 is designed for a roof line with a "Marker Light Bar" trim. Referring to page 7 Fig. 8 position the farring so that the center farring bracket #4 is on the center of the light bar farring slot #5a. If you are attaching a C-2 farring make sure that the farring is positioned behind the Marker lights as shown in Fig. 9 page 7. Remove the screws, nuts, lock washers and black plastic washers from bag #2 included in your hardware kit then begin by attaching the center farring bracket #4 to the light bar center slot #5a Fig. 8. Leave approximately 1" to 2" gap between the farring and the roof rack tubing as shown in Fig. 9 a page 7. Once the center is attached snug down only to prevent slippage at this time. Pull the outsides of the farring close to the roof rack causing a bow to form in the farring then place the screws and nuts in place and tighten down. Apply the same procedure to the opposite side. Make certain that the farring rubber strip is in full contact with either the roof top or "Marker Light Bar" if present throughout the farring length, then tighten completely. Installation is now complete.

GOBI FULL SIZE HUMMER H3T ROOF RACK INSTALLATION INSTRUCTIONS

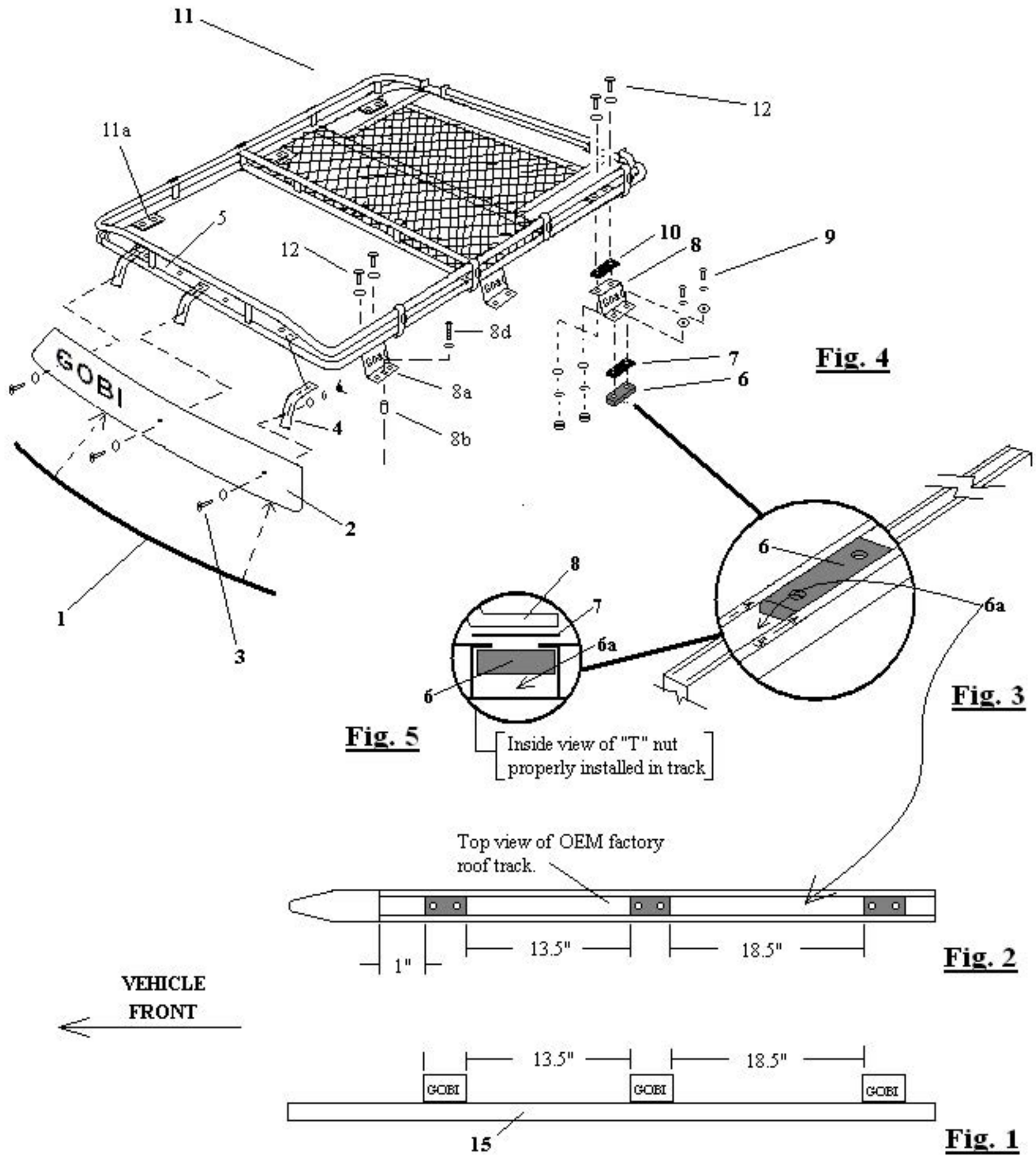


Fig. 4

Fig. 3

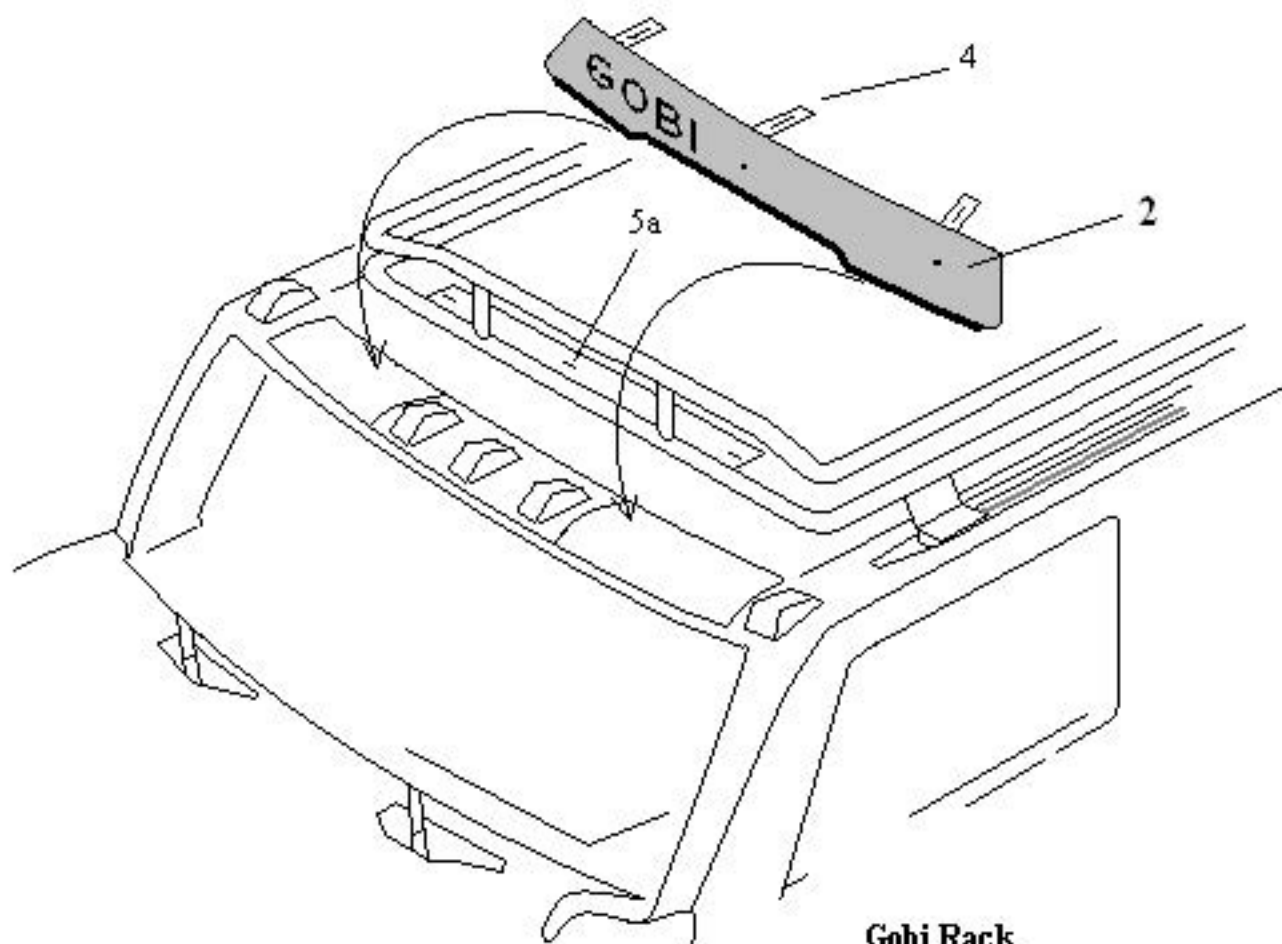
Fig. 5

[Inside view of "T" nut properly installed in track]

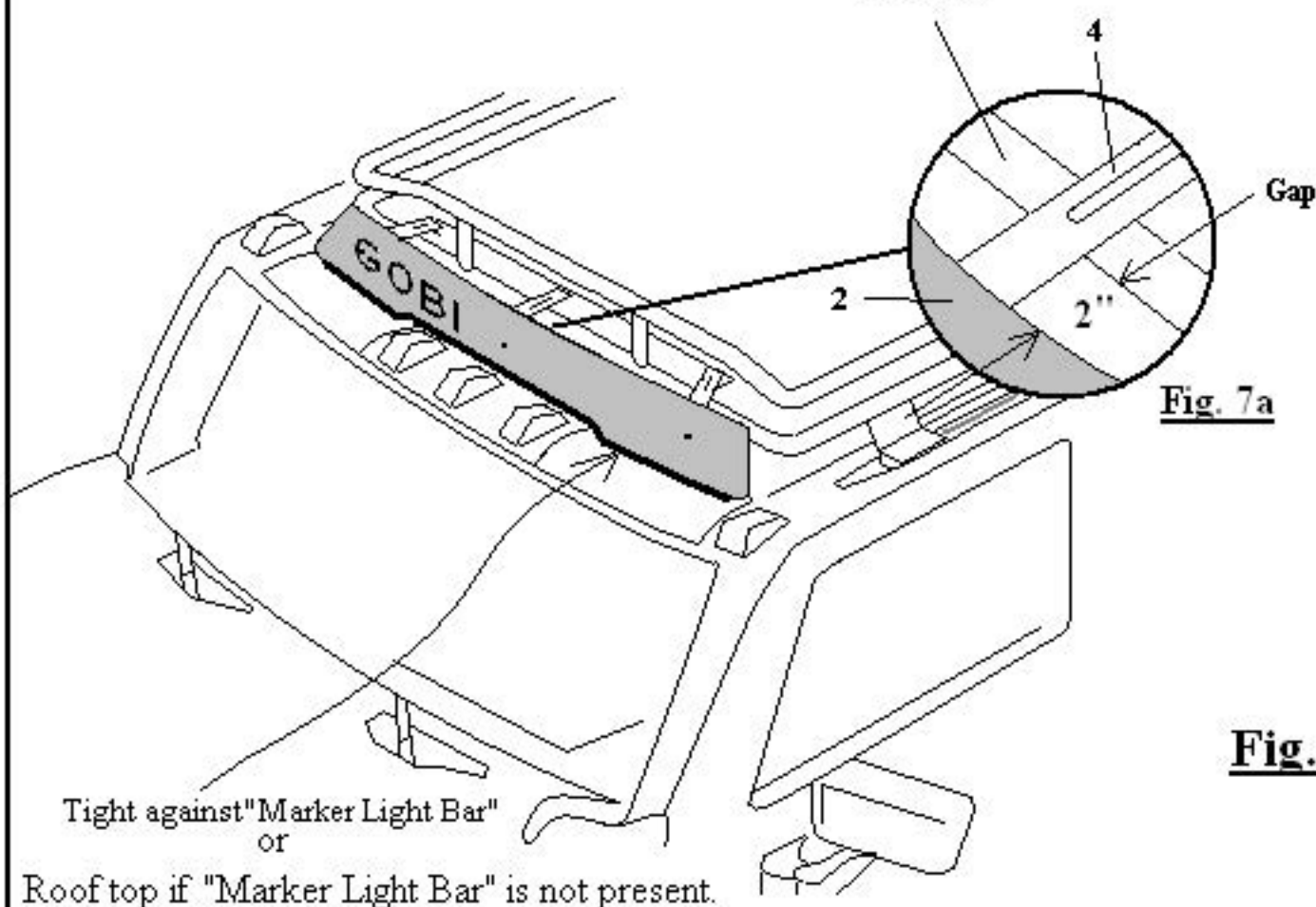
Fig. 2

Fig. 1

GOBI FULL SIZE HUMMER H3T ROOF RACK INSTALLATION INSTRUCTIONS

**Fig. 6**

Gobi Rack
outer tube

**Fig. 7**