

## GOBI STEALTH ROOF RACK ARB AWNING ATTACHMENT INSTALLATION INSTRUCTIONS

### Guidelines:

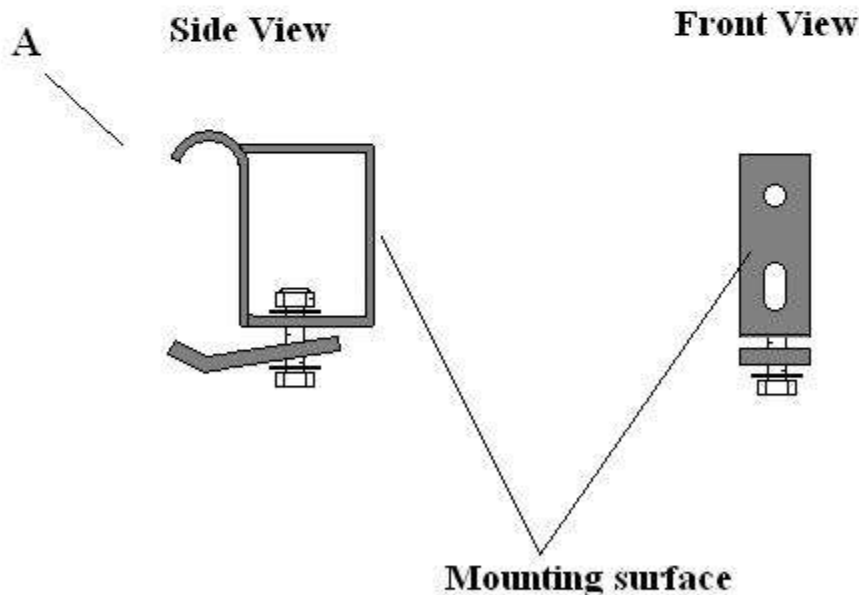
When using Load Carriers and Accessories, the user must understand the precautions. The points listed below will assist you in using the rack /carrier system and will encourage safety.

- For quality fits and safety, use only the recommended rack or accessory. Do not assume an accessory will fit, always check with dealer when obtaining new accessories. Use only approved accessories on load carriers. Using other brands will void your warranty.
- Make sure all knobs, bolts, screws, straps, and locks are firmly attached, tightened and locked before every trip. Knobs, bolts, screws, straps, and locks must be periodically inspected for signs of wear, corrosion, and fatigue. Check your load at stops during the trip to insure continued fastening security.
- Check local and state laws governing projection of objects beyond the width of a vehicle. **Be aware of the width and height of your cargo since low clearance branches, bridges, and parking garages can affect the load** All cargo will affect the vehicle's driving behavior. Never drive with any lock, knob, or rack in an open or unlocked position. All long loads such as, but not limited to sailboards, surfboards, kayaks, canoes, and lumber must be tied down front and rear to the bumpers or tow hooks, of the vehicle.
- Remove your rack accessories when they are not in use, before entering car washes, prior to taking in your vehicle for service, and whenever clearance may be an issue.
- All locks must be turned and moved periodically to insure smooth operation. Use graphite or similar dry lubricant to help this. Locks are designed to deter vandalism and theft. Remove valuable gear if your vehicle is unattended for an extended period. Place at least one key in the glove compartment.
- For safety to your vehicle and rack system, obey all posted speed limits and traffic cautions. Adapt your speed to the conditions of the road and the load being carried.
- Do not use load carriers and accessories for purposes other than those for which they were designed. Do not exceed their carrying capacity.
- Consult with your dealer if you have any questions regarding the operations and limits of this product. Review all instructions carefully.

## GOBI STEALTH ROOF RACK ARB AWNING ATTACHMENT INSTALLATION INSTRUCTIONS

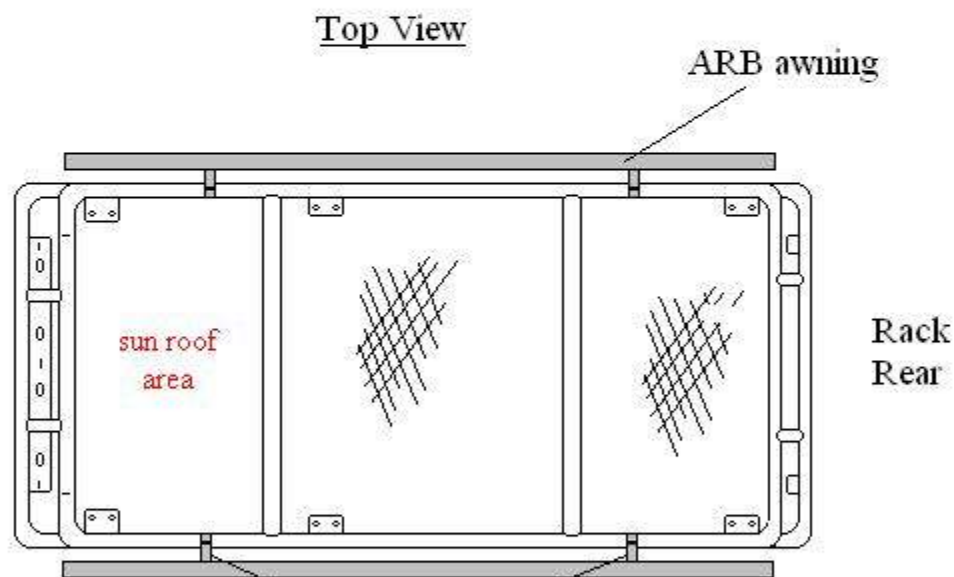
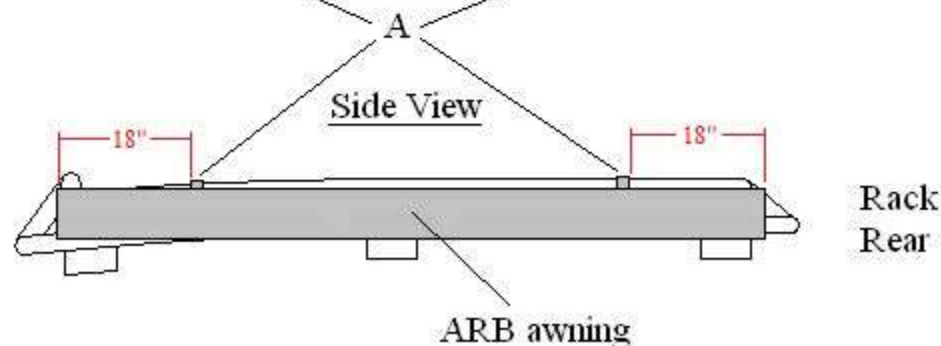
### Included in kit

Letter	Description	Location	Quantity
A	GOBI STEALTH ARB AWNING ATTACHMENT	Main box	2
B	Flat washers for ARB mounting screws	Plastic Bag	4



## GOBI STEALTH ROOF RACK ARB AWNING ATTACHMENT INSTALLATION INSTRUCTIONS

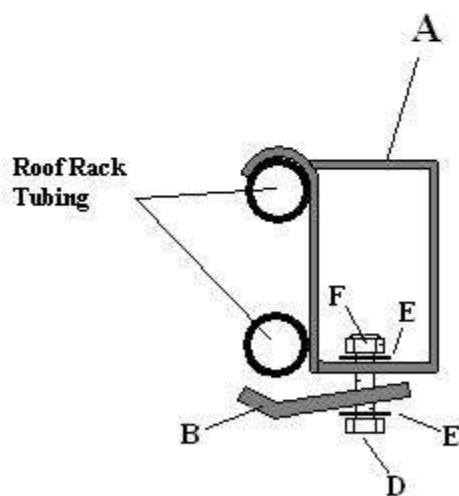
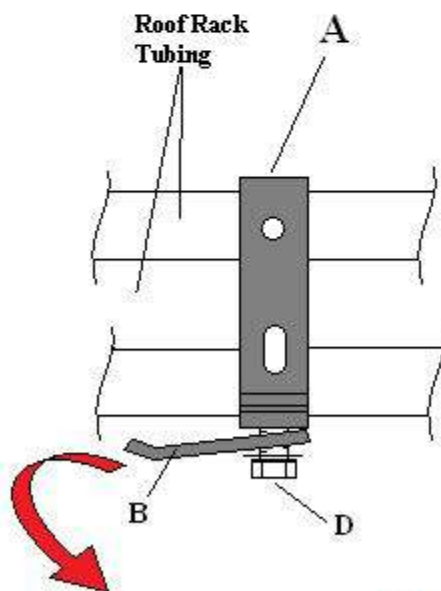
- 1- Refer to Fig.1 and Fig. 2 below, the Gobi ARB awning support brackets (A) can be attached to just about any point along the side of the Gobi roof rack to best suit your needs. The Gobi ARB awning mounting system leaves the area above the roof rack free of any obstacles for easy mounting of roof top tents or just about any item without interference. When the Gobi ARB awning support brackets are installed as shown in Fig. 1 and 2 make certain to set each Gobi awning support bracket at least 18" from each end of the ARB awning for an 8' awning or 12" for a 6' awning. The drawing below illustrates an 8' awning set up.

**Fig. 1****Fig. 2**



## GOBI STEALTH ROOF RACK ARB AWNING ATTACHMENT INSTALLATION INSTRUCTIONS

- 2- Refer to Fig. 3 and Fig. 4 loosen screw "D" and nut "F" then swing clamp "B" either to the right or left of the Gobi awning bracket (A). Place the hook end of Gobi awning bracket (A) on the top roof rack tube as shown in Fig.3 and Fig. 4 at no less than 46" between support brackets as shown in Fig. 1 and Fig. 2 page 3 then swing clamp "B" back under awning bracket (A) as shown in Fig. 4 and fully thighten all screws and nuts "D" and "F". Once both Gobi ARB awning support brackets are fully tightened and secured in place you can attach the ARB awning.

**Fig. 3****Fig. 4**