

GOBI JEEP WRANGLER AXE/SHOVEL ATTACHMENT INSTALLATION INSTRUCTIONS

Guidelines.

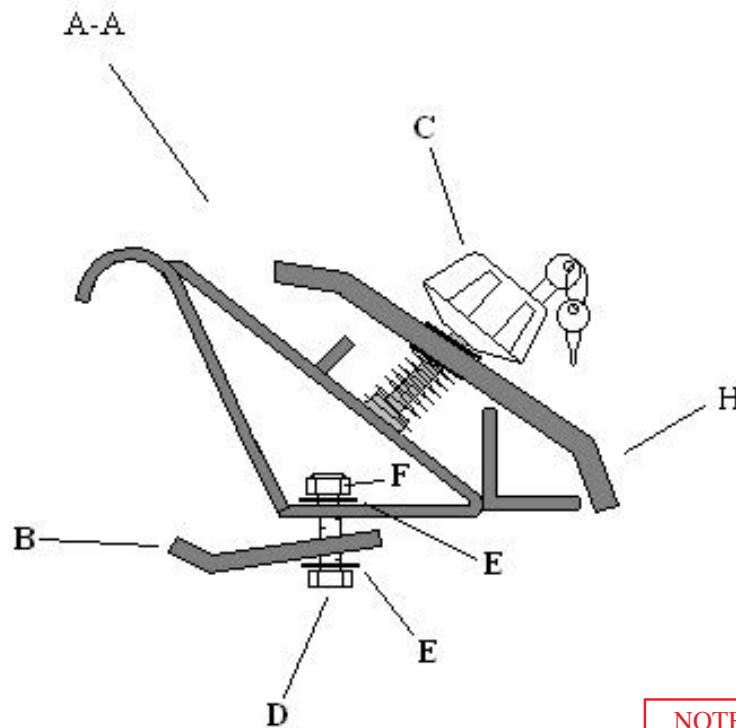
When using Load Carriers and Accessories, the user must understand the precautions. The points listed below will assist you in using the rack /carrier system and will encourage safety.

- For quality fits and safety, use only the recommended rack or accessory. Do not assume an accessory will fit, always check with dealer when obtaining new accessories. Use only approved accessories on load carriers. Using other brands will void your warranty.
- Make sure all knobs, bolts, screws, straps, and locks are firmly attached, tightened and locked before every trip. Knobs, bolts, screws, straps, and locks must be periodically inspected for signs of wear, corrosion, and fatigue. Check your load at stops during the trip to insure continued fastening security.
- Check local and state laws governing projection of objects beyond the width of a vehicle. **Be aware of the width and height of your cargo since low clearance branches, bridges, and parking garages can affect the load** All cargo will affect the vehicle's driving behavior. Never drive with any lock, knob, or rack in an open or unlocked position. All long loads such as, but not limited to sailboards, surfboards, kayaks, canoes, and lumber must be tied down front and rear to the bumpers or tow hooks, of the vehicle.
- Remove your rack accessories when they are not in use, before entering car washes, prior to taking in your vehicle for service, and whenever clearance may be an issue.
- All locks must be turned and moved periodically to insure smooth operation. Use graphite or similar dry lubricant to help this. Locks are designed to deter vandalism and theft. Remove valuable gear if your vehicle is unattended for an extended period. Place at least one key in the glove compartment.
- For safety to your vehicle and rack system, obey all posted speed limits and traffic cautions. Adapt your speed to the conditions of the road and the load being carried.
- Do not use load carriers and accessories for purposes other than those for which they were designed. Do not exceed their carrying capacity.
- Consult with your dealer if you have any questions regarding the operations and limits of this product. Review all instructions carefully.

GOBI JEEP WRANGLER AXE/SHOVEL ATTACHMENT INSTALLATION INSTRUCTIONS

Included in kit:

Letter	Description	Quantity
A-A	Axe / Shovel Bracket Complete	2
B	Axe / Shovel Bracket Clamp	2
C	Locking Security Knob with Keys	2
D	3/8-16 x 1" Stainless bolt	2
E	3/8" Stainless Steel Flat washer	4
F	3/8" Nylock nut	2
H	Axe / Shovel Pinch Clamp	2



NOTE: Periodically add a dry graphite lubricant injected into the inner lock mechanism to prevent condensation from damaging to the inner lock system.

GOBI JEEP WRANGLER AXE/SHOVEL ATTACHMENT INSTALLATION INSTRUCTIONS

To begin the installation process refer to Fig. 1 and Fig. 2 below illustrating the placement of the Axe / Shovel attachment on the passenger or drivers side rear section of the Gobi roof rack. This will allow the user easy accessibility to the Axe and or Shovel while providing the lowest over all position on the roof rack to prevent entanglement with low lining obstacles such as tree limbs, garages and underground parking structures.

Continue the installation process on page 4.

Top View

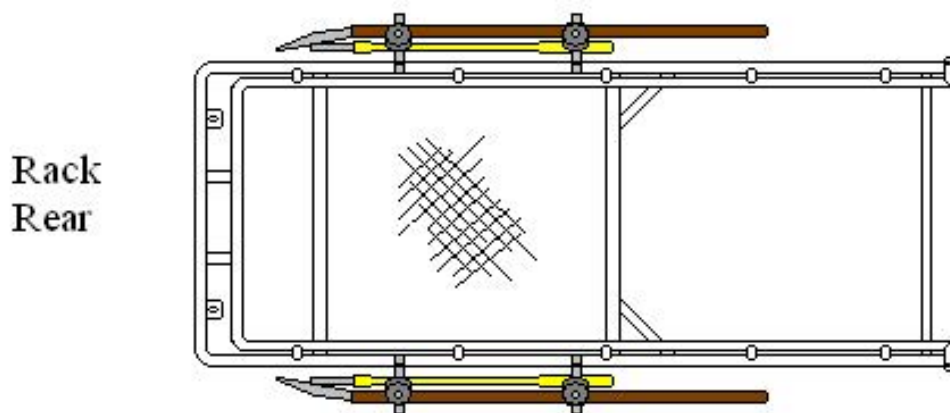


Fig. 1

Side View

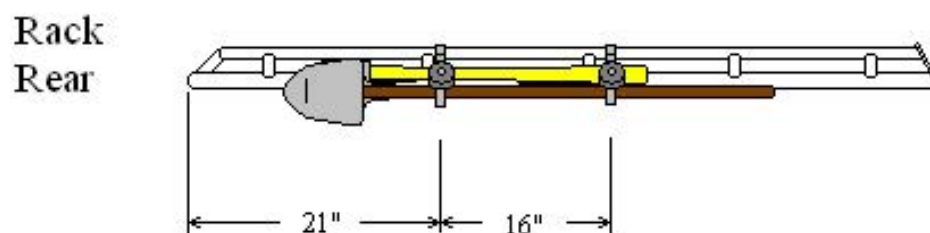
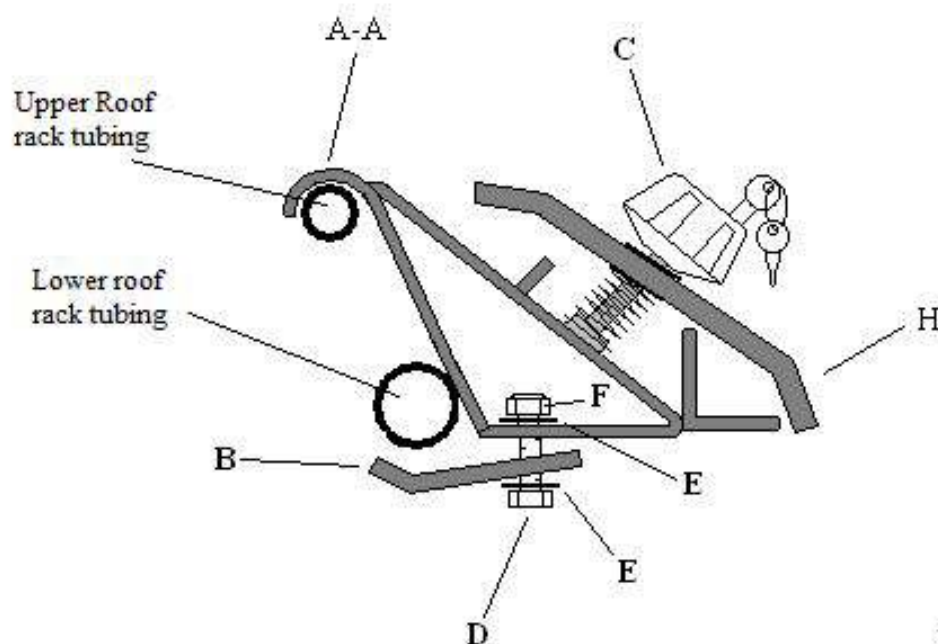
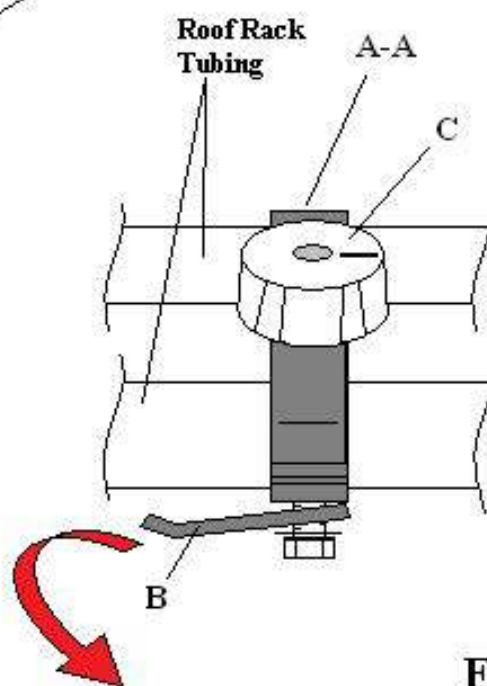


Fig. 2

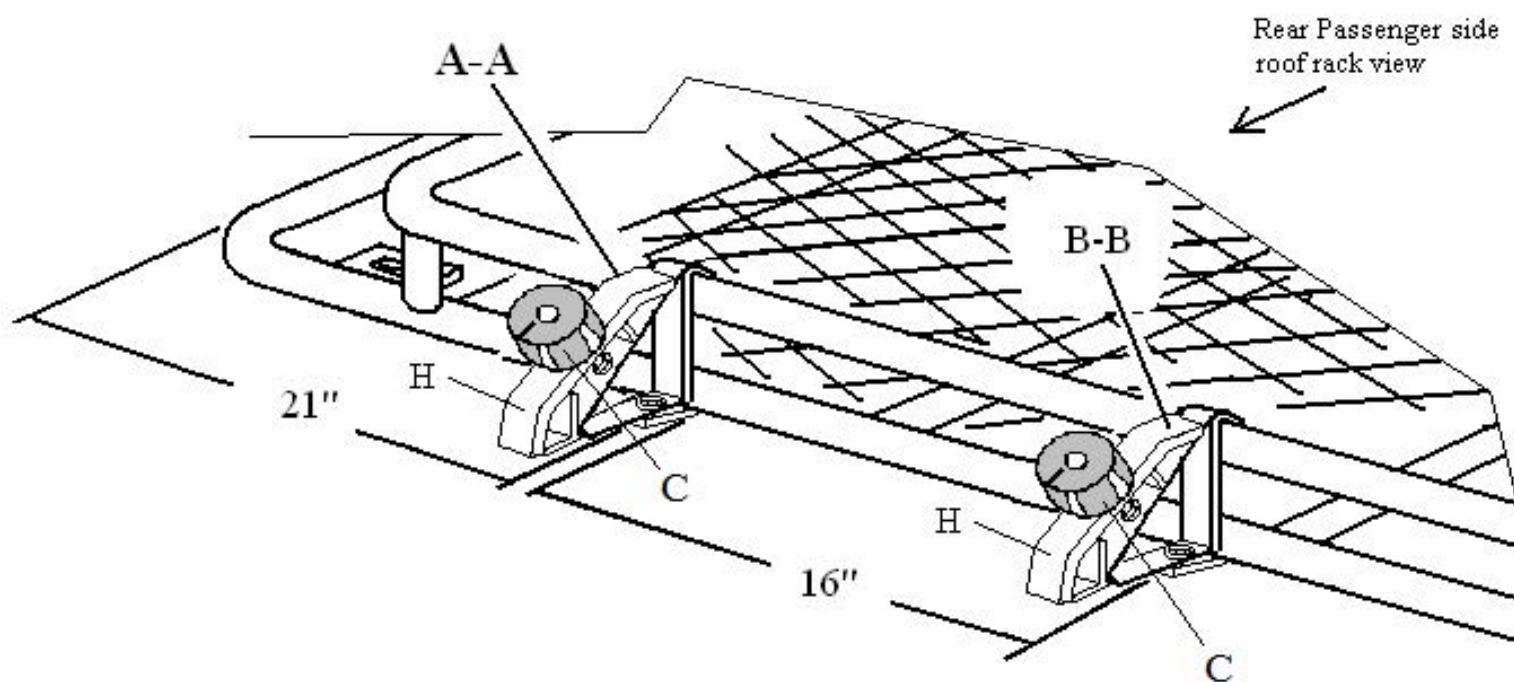
GOBI JEEP WRANGLER AXE/SHOVEL ATTACHMENT INSTALLATION INSTRUCTIONS

- 1- Referring to page 4 Fig. 3 loosen nut (F) and screw (D) but do not disassemble then swing clamp (B) either to the right or left of the Axe/Shovel bracket "A-A" shown in Fig. 4. Set Axe/Shovel bracket "A-A" on top of upper rack tube and against lower rack tube also shown in Fig. 3 approximately 21" from the end of the Gobi rack shown in Fig. 5 page 5. Swing clamp (B) under lower roof rack tube as shown in Fig. 3 and fully tighten screws and nuts (D) and (F).

**Fig. 3****Fig. 4**

GOBI JEEP WRANGLER AXE/SHOVEL ATTACHMENT INSTALLATION INSTRUCTIONS

- 1- Refer to page 5 Fig. 5 and continue to the second bracket "B-B" install the bracket in the same manner as bracket "A-A" but at a distance of 16" from bracket "A-A". Fully tighten the bracket at this time.
- 2- Loosen both locking knobs "C" to the top end of the threaded studs and swing each pinch clamp "H" sideways as shown in Fig. 6 page 6 bracket "B-B".

**Fig. 5**

"Caution"

"Use Caution when installing or removing the Axe and or Shovel from the brackets as they may slip from your hand causing serious injury or damage to your vehicle".

GOBI JEEP WRANGLER AXE/SHOVEL ATTACHMENT INSTALLATION INSTRUCTIONS

User Safety Instructions:

When installing Shovel and or Axe into bracket assembly take extreme caution that no persons are immediately under or around you while attaching the Shovel and or Axe they may slip from your hands causing serious injury or damage to your vehicle. **Note: You may need to use a long handle type shovel as a shorter shovel's handle may impede door opening.**

Installing and removing Shovel and or Axe:

- A) Loosen both locking knobs "C" and swing pinch clamps "H" sideways as shown in Fig 6 page 6.
- B) Place the Axe onto the Axe resting plates "T" with the Axe head towards the end of the roof rack or bracket "A-A" as shown in Fig 6 page 6 and hold with one hand at this time.
- C) Place the Shovel onto the lower shovel rests as shown in Fig 6 page 6 with the spade end of the shovel towards bracket "A-A" or the end of the roof rack covering the Axe head. With one hand holding both tools in place turn one of the pinch clamps "H" over the Axe and Shovel handles and clamp down using the locking knob "C". When one side is held in place continue to the other pinch clamp turn pinch clamp "H" vertical so that the clamp also covers the tool handles and clamp down using the locking knobs as shown in Fig 6 page 6.
- D) Once both tools are tightened and secured in place lock both knobs with the keys supplied in your kit. The knobs when locked will turn freely when unlocked the knobs can be unscrewed and loosened.

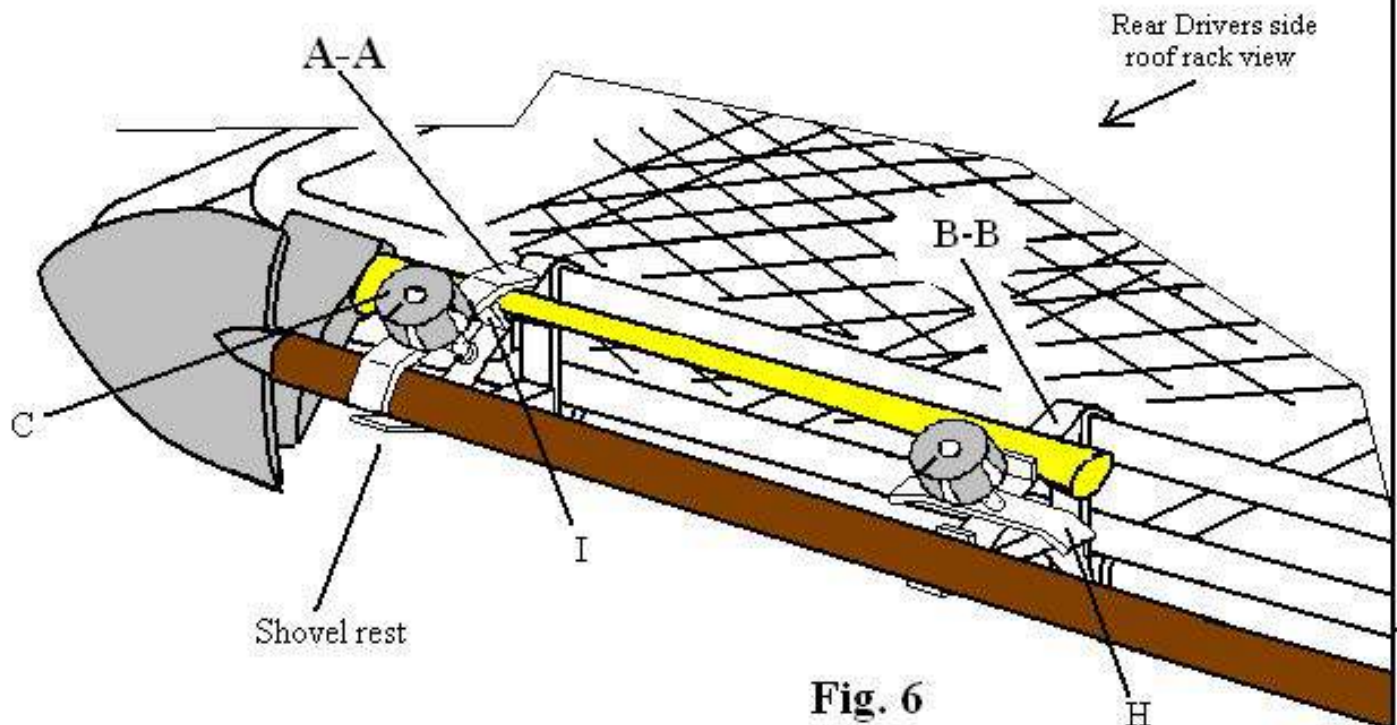


Fig. 6

"Caution"

"Use Caution when installing or removing the Axe and or Shovel from the brackets as they may slip from your hand causing serious injury or damage to your vehicle".

INTELLIGENT DESIGNS 2000 CORPORATION

This limited one year warranty covers ONLY Intelligent Designs 2000, Corporation ("ID2000") products. Please review the terms and conditions of the limited warranties below.

LIMITED ONE YEAR WARRANTY

All warranties and representations, except as set out below, are hereby disclaimed, (including fitness for the purchaser's intended use or purpose and merchantability), all products being sold AS IS, without warranty beyond that made herein, with the purchaser assuming: 1) the entire risk as to the quality and performance of the goods, 2) the cost of any repairs not covered herein.

Intelligent Designs 2000 Corporation warrants, as limited herein, to the original purchaser that its product which have been properly installed per provided instructions are free from defects in material and/or workmanship. At Intelligent Designs 2000 option, the purchaser's remedy hereunder shall be limited to repair or replacement of defective parts returned to the place of purchase or to Intelligent Designs 2000 at the purchaser's expense.

Intelligent Designs 2000 warranty, as herein, shall only be effective while the original purchaser owns the vehicle on which the product or products was installed and shall not apply if the product has been removed from the original vehicle. Intelligent Designs 2000 warranty is void if any damage to the product or products is due to misuse, abuse, neglect, accident, improper installation, or contact with on-road or off-road hazards, product modification, improper or inadequate maintenance or any use contrary to the instructions accompanying the product. Intelligent Designs 2000 warranty only covers the cost of the defective part and not the cost of removal, installation, and painting or other incidental or consequential charges or damages, or personal injury damages, and does not cover use of any product on racing vehicles. Intelligent Designs 2000's warranty is not transferable from the original purchaser.

THIS LIMITED WARRANTY DOES NOT APPLY TO:

1. Damages or problems that result from shipping, installation, maintenance, or separate system components.
2. Damages or problems that result from misuse, abuse, operation outside environmental specifications or contrary to the requirements or precautions in the Installation Instructions, accident, lightning strikes or other natural causes, unauthorized modification or alteration, incorrect electrical current or voltage, other causes not arising out of defect in material or workmanship.
3. Therefore, the cost of repair or replacement of such defective product shall be borne by the customer.

To assure product quality, Intelligent Designs 2000 reserves the right to change product designs, materials, specifications and finishes without prior notice to customers. Intelligent Designs 2000's warranty gives you specific legal rights and you may also have other rights, which vary from state to state. Some states do not have limitations on how long an implied warranty lasts, so the above limitations may not apply to you. Also, some states do not allow the exclusion or limitation of incidental or consequential damages so the above limitations or exclusions may not apply to you. Intelligent Designs 2000 reserves the right to discontinue product lines and substitute products or provide other remedies other than those listed in the limited warranty for those discontinued products.

THIS WARRANTY IS IN LIEU OF ANY OTHER WARRANTIES, EXPRESS OR IMPLIED, INCLUDING WITHOUT LIMITATION, ANY WARRANTY OF MERCHANTABILITY OR FITNESS FOR A PARTICULAR PURPOSE. TO THE EXTENT ANY IMPLIED WARRANTY IS REQUIRED BY LAW, IT IS LIMITED IN DURATION TO THE EXPRESS WARRANTY PERIOD ABOVE. INTELLIGENT DESIGNS 2000 CORPORATION/ GOBI RACKS USA WILL NOT BE LIABLE FOR ANY CONSEQUENTIAL, INDIRECT, OR INCIDENTAL DAMAGES OF ANY KIND INCLUDING LOSS OF REVENUES OR PROFITS, IN CONNECTION WITH THE PRODUCT(S). SOME STATES DO NOT ALLOW LIMITATIONS ON HOW LONG AN IMPLIED WARRANTY LASTS OR THE EXCLUSION OF INCIDENTAL OR CONSEQUENTIAL DAMAGES, SO THE ABOVE LIMITATIONS OR EXCLUSIONS MAY NOT APPLY TO YOU.

REQUESTING WARRANTY COVERAGE

For this warranty to be effective, it is strongly recommended that the purchaser completes and returns the warranty registration to Intelligent Designs 2000 within ten days of the date of purchase. Replacement parts can be obtained by returning the part along with proof of purchase. Warranty claims cannot be determined until the merchandise is received and inspected. **Returns made to Intelligent Designs 2000 will not be accepted without prior authorization from Intelligent Designs 2000. This included but is not limited to all shipping costs and all other incidental costs to be paid by the customer. Please call the customer service department at the number below.**

LIMITED LIABILITY WARRANTY

Intelligent Designs 2000 Corporation warrants this product to be free of original defects in materials or workmanship as long as the original purchaser owns the motor vehicle on which it is installed. This warranty does not cover damage resulting from accident, misuse or abuse, neglect, lack or reasonable care, or improper installation. The Company will repair or replace, at its option, any product covered by this warranty that becomes defective. This is a parts-only warranty and such repair or replacement shall be the Company's sole obligation and the customer's sole remedy for a defective product. The Company shall have no liability for personal injury, property damage, incidental, or consequential damages of any kind or nature. THIS FOREGOING WARRANTIES ARE EXCLUSIVE AND IN LIEU OF ALL OTHER WARRANTIES, EXPRESS OR IMPLIED, AND THE COMPANY DISCLAIMS ALL OTHER WARRANTIES, EXPRESS OR IMPLIED, INCLUDING, WITHOUT LIMITATION, ANY IMPLIED WARRANTY OR MERCHANTABILITY OR FITNESS FOR A PARTICULAR PURPOSE.

To obtain warranty service, return this portion to Intelligent Designs 2000 Corporation with a proof of purchase to the address below. Please include;

First Name _____ Last Name _____
Address _____ City _____
E-mail _____ State _____
Phone Number _____ Zip Code _____