

GOBI HIGH LIFT JACK ATTACHMENT

Guidelines:

When using Load Carriers and Accessories, the user must understand the precautions. The points listed below will assist you in using the rack / carrier system and will encourage safety.

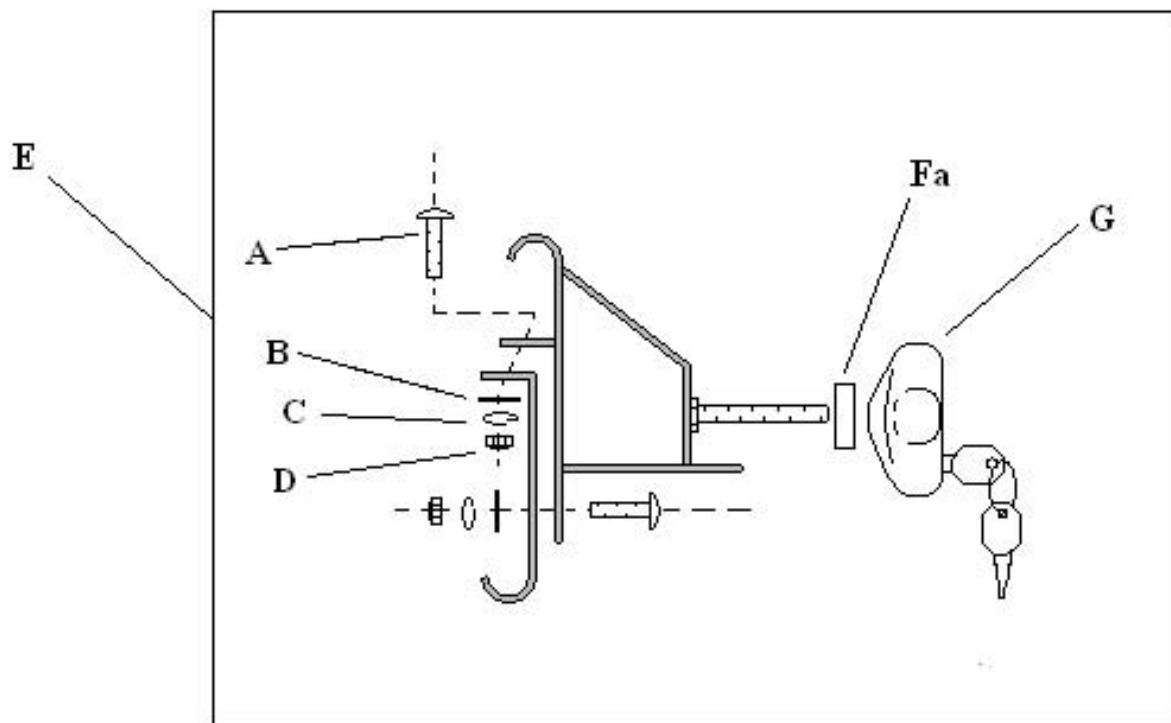
- For quality fits and safety, use only the recommended rack or accessory. Do not assume an accessory will fit, always check with dealer when obtaining new accessories. Use only approved accessories on load carriers. Using other brands will void warranty.
- Make sure all knobs, bolts, screws, straps, and locks are firmly attached, tightened and locked before every trip. Knobs, bolts, screws, straps, and locks must be periodically inspected for signs of wear, corrosion, and fatigue. Check your load at stops during the trip to insure continued fastening security.
- Check local and state laws governing projection of objects beyond the width of a vehicle. **Be aware of the width and height of your cargo since low clearance branches, bridges, and parking garages can affect the load.** All cargo will affect the vehicle's driving behavior. Never drive with any lock, knob, or rack in an open or unlocked position. All long loads such as, but not limited to sailboards, surfboards, kayaks, canoes, and lumber must be tied down front and rear to the bumpers or tow hooks, of the vehicle.
- Remove your rack accessories when they are not in use, before entering car washes, prior to taking in your vehicle for service, and whenever clearance may be an issue.
- All locks must be turned and moved periodically to insure smooth operation. Use graphite or similar dry lubricant to help this. Locks are designed to deter vandalism and theft. Remove valuable gear if your vehicle is unattended for an extended period. Place at least one key in the glove compartment.
- For safety to your vehicle and rack system, obey all posted speed limits and traffic cautions. Adapt your speed to the conditions of the road and the load being carried.

GOBI HIGH LIFT JACK ATTACHMENT

Included in kit:

Letter	Description	Quantity
A	3/8-16 x 1-1/4" Stainless Carrage bolt	4
B	3/8" Stainless Steel Flat washer	4
C	3/8" Stainless Lock Washer	4
D	3/8" Stainless Lock Nut	4
E	High Lift Jack Bracket Complete	2
Fa	Nylon Washer	2
G	Locking Knob with key	2

Included in kit:



NOTE: Periodically add a dry graphite lubricant injected into the inner lock mechanism to prevent condensation from damaging to the inner lock system.

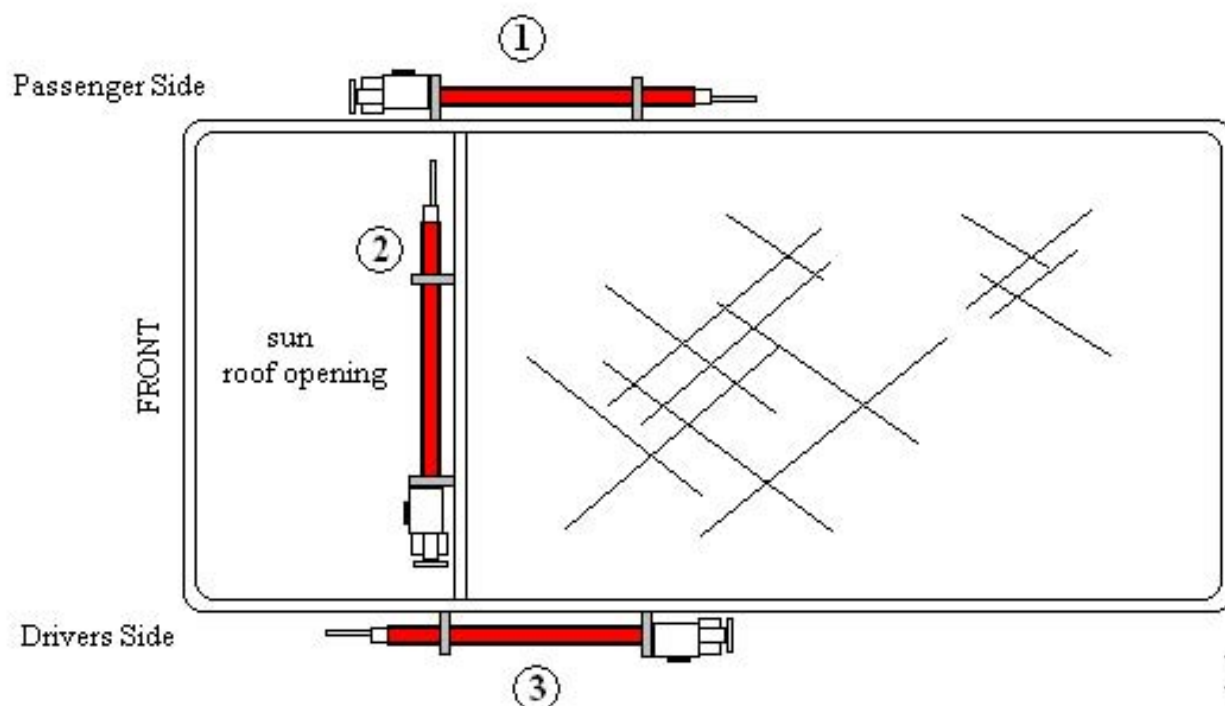
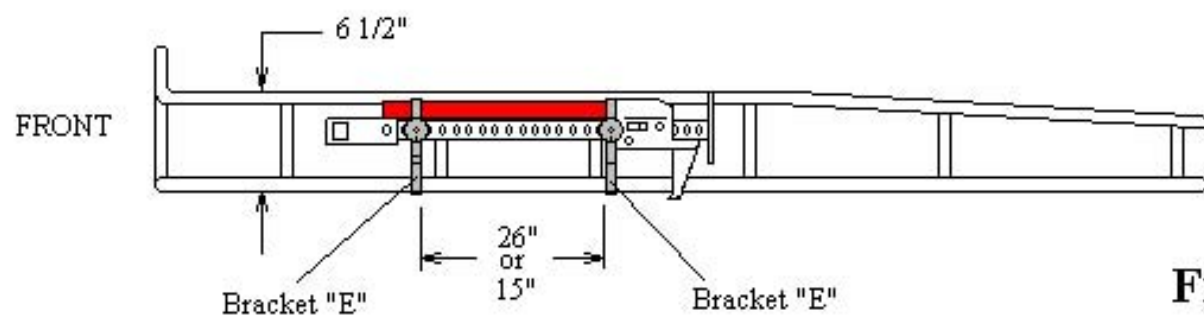
Fig. 1

GOBI HIGH LIFT JACK ATTACHMENT

To begin the installation process first locate High Lift Jack bracket "E" as shown in Fig. 1 page 2. Then Choose a location on your GOBI rack which will provide a minimum distance of at least 26" (660.4mm) between the brackets when installing a 60" High Lift Jack or a minimum of 15" (381mm) when installing a 48" High Lift Jack. Refer to the "Position Options" list below to choose your preferred attachment location.

Position options available for GOBI roof racks Fig. 3:

- 1- Passenger side
- 2- Sun roof area
- 3- Drivers side



GOBI HIGH LIFT JACK ATTACHMENT

After locating a position on your GOBI rack mark out the required length of the High Lift Jack you will be using either 60" or 48". Place masking tape lines onto the roof rack to locate the ends of the High Lift Jack and the positions you intend to place your brackets on. This will aid in the prevention of additional unnecessary re-positioning of the brackets.

- 1 - Insert carriage bolt "A" into upper High Lift Jack bracket "E" as shown in Fig. 4, then set bracket "E" onto upper rack tubing also shown in Fig. 4 and hold in place.
 - 2 - While holding Upper bracket "E" with one hand place lower bracket "F" onto the lower rack tubing and connect to upper bracket "E" as shown in Fig. 4. After you have placed carriage bolt "A" through lower bracket "F" attach flat washer "B", lock washer "C" and lock nut "D" onto carriage bolt finger tighten only at this time.
 - 3 - Place the second Stainless Steel carriage bolt "A-2" through both the upper and lower brackets as shown in Fig. 4 finger tighten the flat washer, lock washer and lock nut onto carriage bolt "A-2" at this time.
- 4 - Install the second High Lift Jack bracket "E" onto the rack tubing approximately 15" (381mm) or 26" (660mm) depending on your High Lift Jack length from the first set of brackets as shown in Fig. 5 page 5 and follow the same procedure as when previously installing the first High Lift Jack bracket, finger tighten the bolts and nuts at this time.
- 5 - Remove locking knobs "G" and Nylon spacers "Fa" as shown in Fig 1 page 2. Prior to installing the High Lift Jack onto the GOBI mounting brackets refer to Fig 3 page 3 as to which position you choose and as to which direction the High Lift Jack must be in during installation of the Jack onto the brackets. Place the High Lift Jack in the direction required by your specific mounting location and slide the Jack over the threaded studs "J" of the High Lift Jack mounting brackets and rest the High Lift Jack onto bracket saddles "K" as shown in Fig 6 page 6. If the High Lift Jack ratchet slots do not line up with Bracket studs "J" reposition one of the High Lift Jack brackets until alignment is achieved.

Continue on page 5

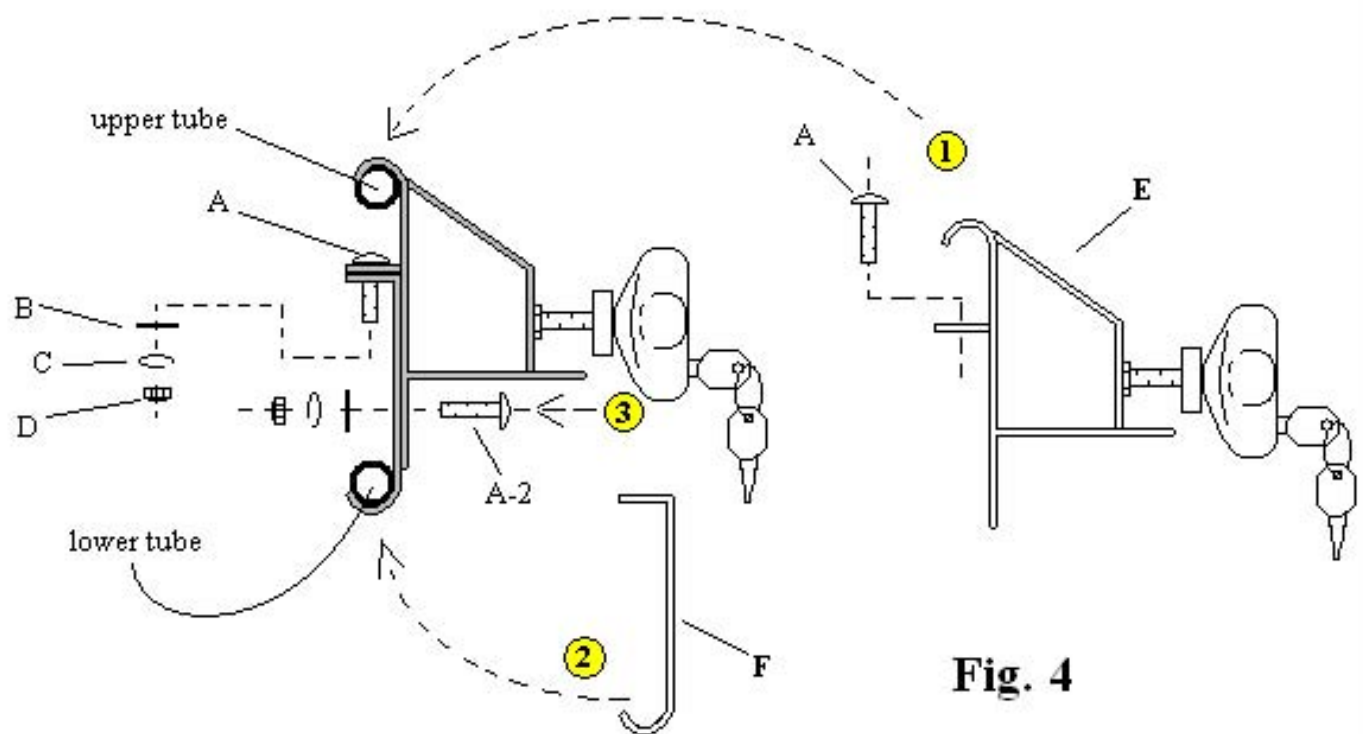


Fig. 4

GOBI HIGH LIFT JACK ATTACHMENT

- 6 - After aligning both brackets correctly to the High Lift Jack and roof rack, carefully remove the High Lift Jack from the brackets and begin to tighten down carriage bolt "A" then proceed to carriage bolt "A-2" in this order as shown in Fig.4 page 4. Continue in the same order and proceed to the second High Lift Jack bracket until both brackets are fully secured to the Gobi roof rack.

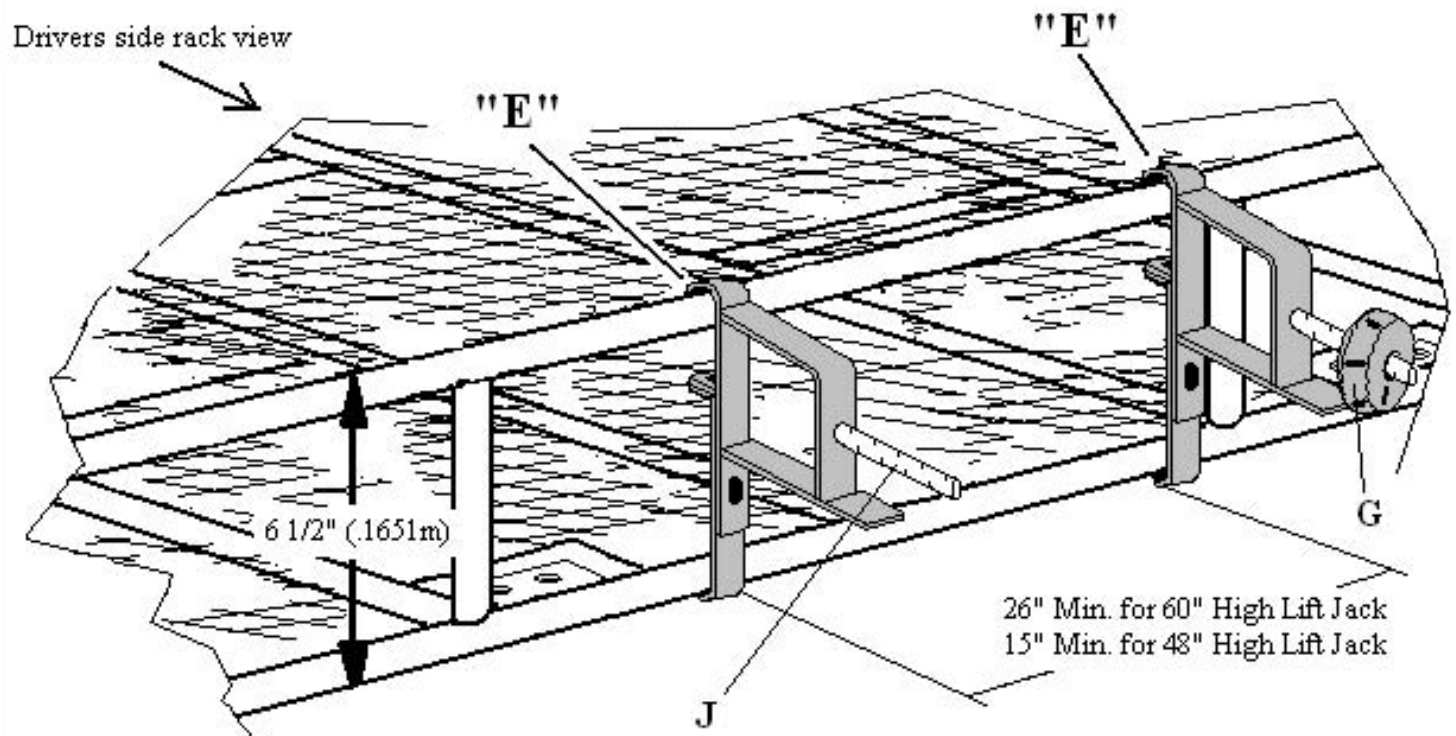


Fig. 5

"Caution"

"Use Caution when installing or removing High Lift Jack from brackets as they may slip from your hand causing serious injury or damage to your vehicle."

GOBI HIGH LIFT JACK ATTACHMENT

After setting your High Lift Jack over the threaded studs "J" and onto the GOBI High Lift Jack bracket saddles as shown on page 6 Fig. 7 secure the Jack in place by using the nylon spacers and Locking Knobs also shown in Fig. 6 and Fig. 7 on page 6. Tighten locking knobs securely and lock in place using the keys supplied with your kit.

"Caution"

As with all roof rack attachments check and Make certain before each trip that all bolts and locking knobs are secured in place to prevent accidental dislodging of the High Lift Jack from the GOBI High Lift Jack brackets during transport.

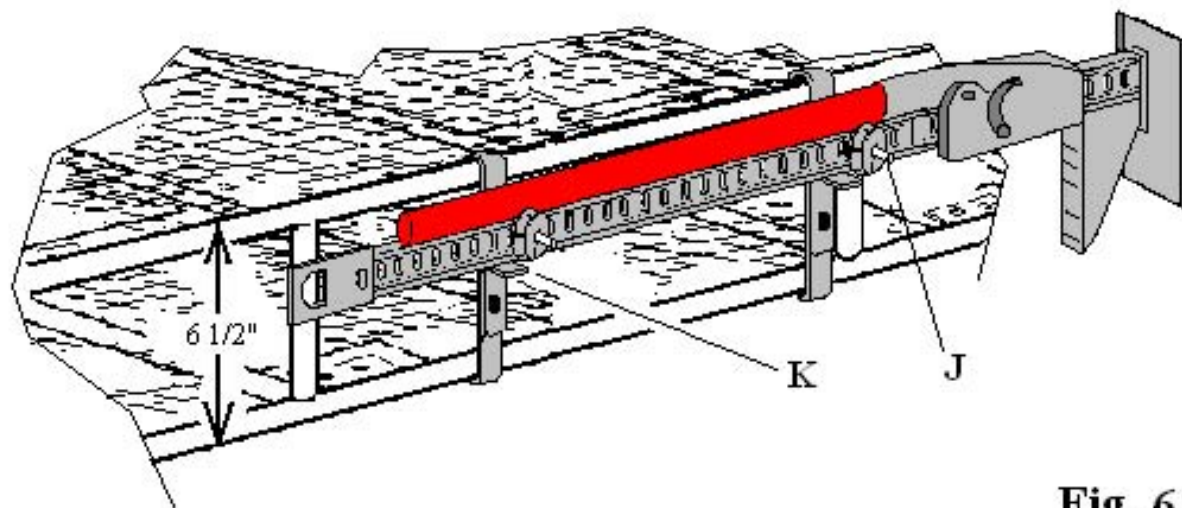


Fig. 6

Gobi High Lift Jack Bracket Parts Descriptions

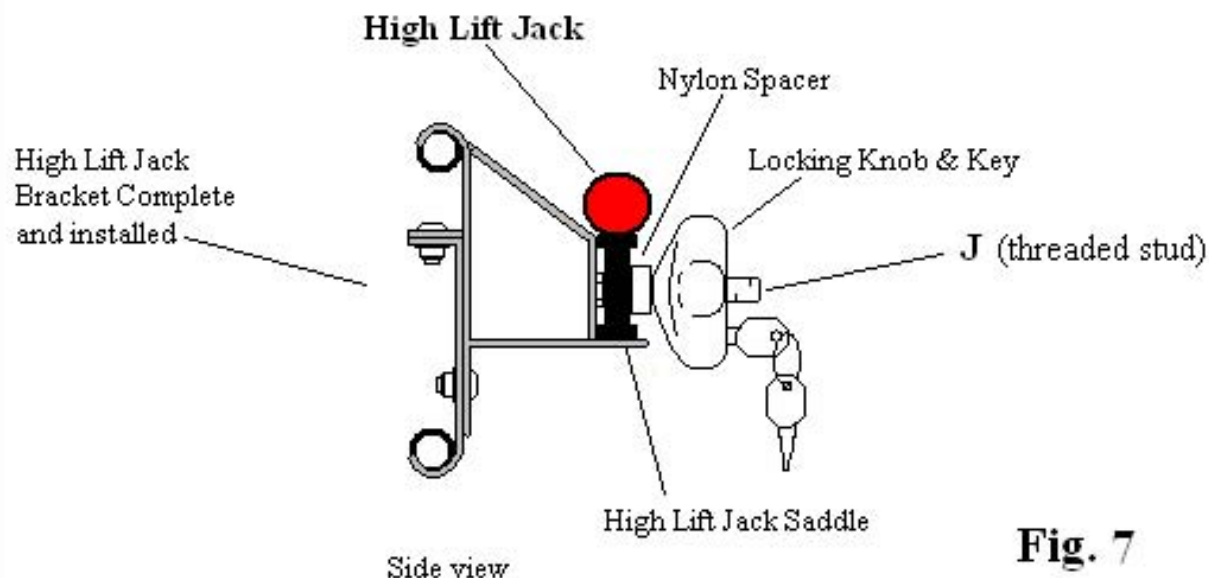


Fig. 7