

HUMMER H1/H2/H3 AXE/SHOVEL ATTACHMENT FOR RANGER STYLE ROOF RACK EXTERIOR MOUNT INSTALLATION INSTRUCTIONS

Guidelines:

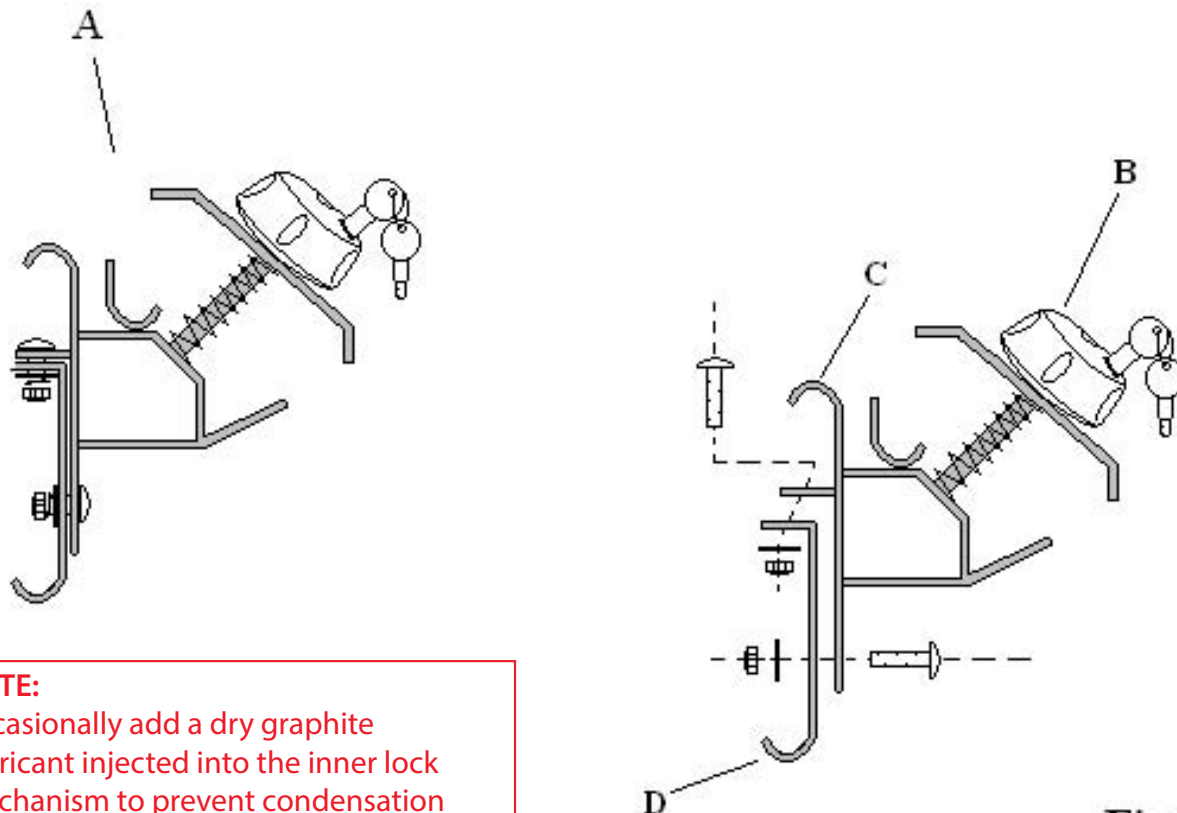
When using Load Carriers and Accessories, the user must understand the precautions. The points listed below will assist you in using the rack / carrier system and will encourage safety.

- For quality fits and safety, use only the recommended rack or accessory. Do not assume an accessory will fit, always check with dealer when obtaining new accessories. Use only approved accessories on load carriers. Using other brands will void warranty.
- Make sure all knobs, bolts, screws, straps, and locks are firmly attached, tightened and locked before every trip. Knobs, bolts, screws, straps, and locks must be periodically inspected for signs of wear, corrosion, and fatigue. Check your load at stops during the trip to insure continued fastening security.
- Check local and state laws governing projection of objects beyond the width of a vehicle. **Be aware of the width and height of your cargo since low clearance branches, bridges, and parking garages can affect the load.** All cargo will affect the vehicle's driving behavior. Never drive with any lock, knob, or rack in an open or unlocked position. All long loads such as, but not limited to sailboards, surfboards, kayaks, canoes, and lumber must be tied down front and rear to the bumpers or tow hooks, of the vehicle.
- Remove your rack accessories when they are not in use, before entering car washes, prior to taking in your vehicle for service, and whenever clearance may be an issue.
- All locks must be turned and moved periodically to insure smooth operation. Use graphite or similar dry lubricant to help this. Locks are designed to deter vandalism and theft. Remove valuable gear if your vehicle is unattended for an extended period. Place at least one key in the glove compartment.
- For safety to your vehicle and rack system, obey all posted speed limits and traffic cautions. Adapt your speed to the conditions of the road and the load being carried.

HUMMER H1/H2/H3 AXE/SHOVEL ATTACHMENT FOR RANGER STYLE ROOF RACK EXTERIOR MOUNT INSTALLATION INSTRUCTIONS

Included in kit:

Letter	Description	Quantity
A	Axe/Shovel Bracket Complete	2
B	Locking knobs with keys	2
C	Upper half Axe/Shovel bracket	2
D	Lower half Axe/Shovel bracket	2
	Mounting Hardware 4 3/8" x 1 1/4" Carrage bolts Stainless 4 3/8" "K" lock nuts Stainless 4 3/8" washers Stainless	Pre-assembled to brackets

**NOTE:**

Occasionally add a dry graphite lubricant injected into the inner lock mechanism to prevent condensation from damaging to the inner lock system.

Fig. 1

HUMMER H1/H2/H3 AXE/SHOVEL ATTACHMENT FOR RANGER STYLE ROOF RACK EXTERIOR MOUNT INSTALLATION INSTRUCTIONS

Assembly Instructions:

The Gobi Axe/Shovel attachment has been designed to be mounted to either side of a Gobi Ranger style roof rack which measures approximately 6 1/2" (.1651m) from the out side of the upper and lower roof rack tubing as shown in Fig. 4 page 4.

- ① - Place lower Axe/Shovel carrier bracket "D" up onto lower rack tubing and hold in position as shown in Fig. 2.
- ② - Set upper Axe/Shovel carrier bracket "C" onto upper rack tubing in front and over lower bracket "D" as shown in Fig. 2 hold both brackets "C" and "D" in position.
- ③ - Place one stainless steel carriage bolt through both the upper and lower brackets as shown in Fig. 2 finger tighten the washer and nut in place.
- ④ - Place the second stainless steel carriage bolt through the upper part of the Axe/Shovel carrier bracket as shown in Fig. 2 and finger tighten.
- 5- Place the second set of Axe/Shovel carrier bracket onto the rack tubing approximately 14" (.3556m) from the first set as shown in Fig. 4 and finger tighten the bolts.
- 6- Tighten down securly carriage bolt 4 as shown in Fig. 2
- 7- Tighten down securly carriage bolt 3 as shown in Fig. 2
- 8- Tighten down securly in the same order the second set of Axe/Shovel bracket carriage bolt and nut.
- 9- At this time both Axe/Shovel brackets must be tightly secured to GOBI rack and positioned as shown in Fig. 4.

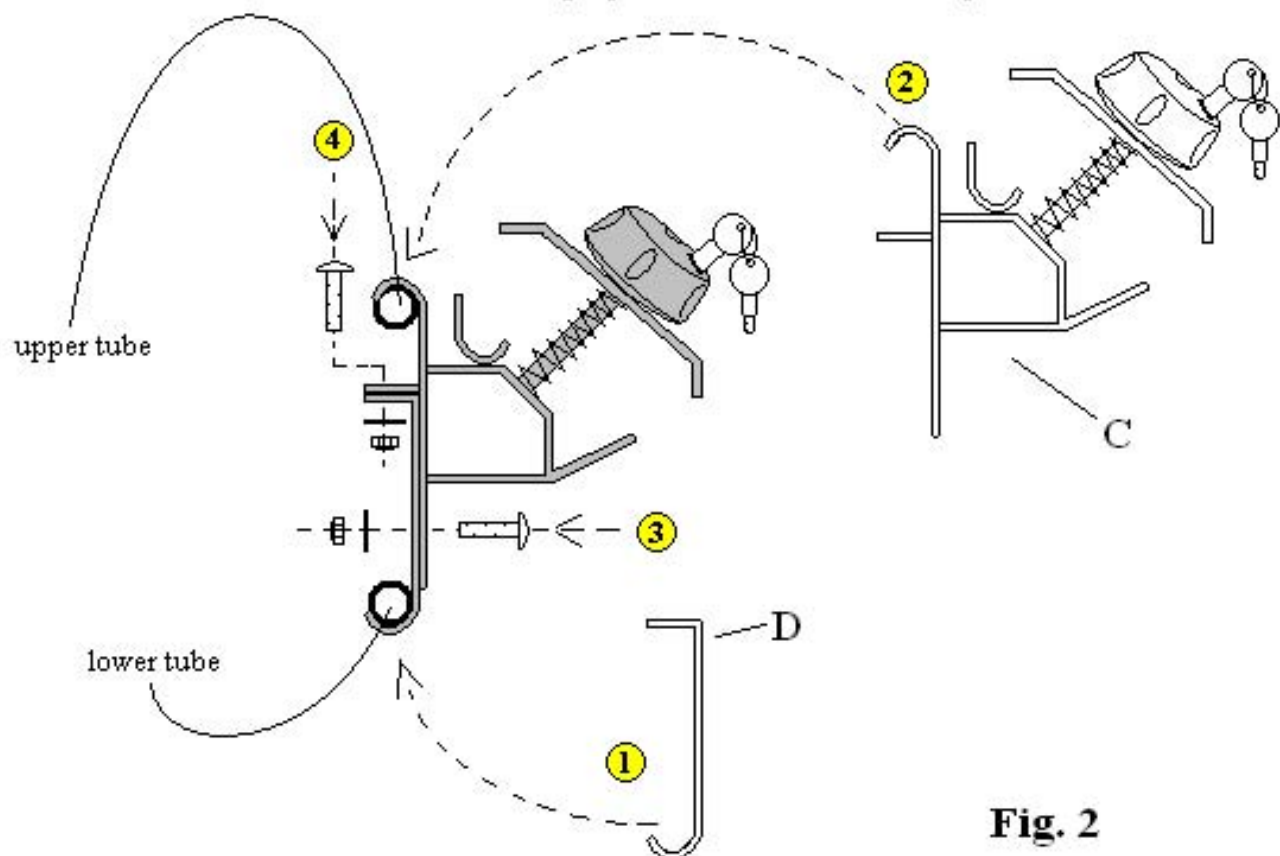


Fig. 2

HUMMER H1/H2/H3 AXE/SHOVEL ATTACHMENT FOR RANGER STYLE ROOF RACK EXTERIOR MOUNT INSTALLATION INSTRUCTIONS

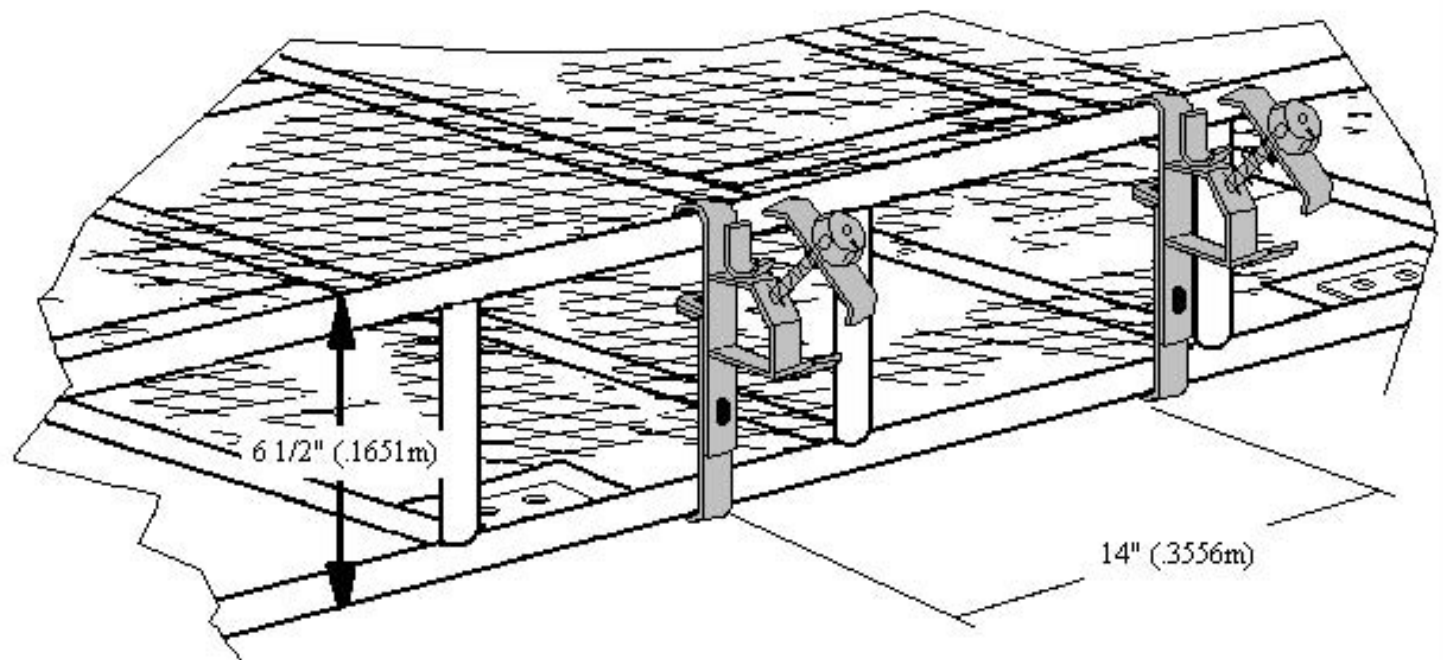


Fig. 4

Part Description

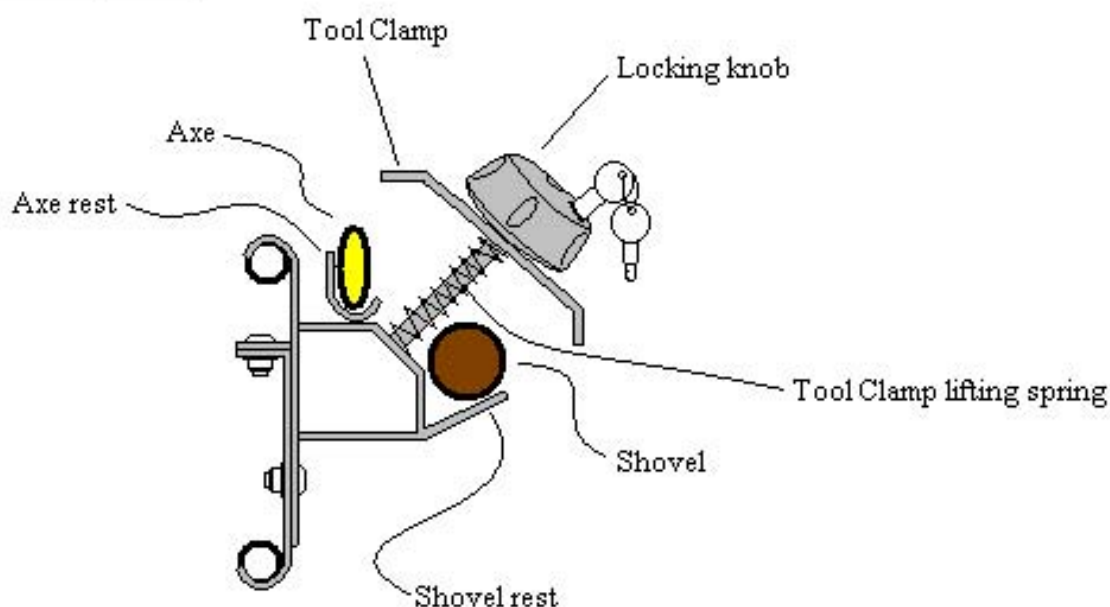
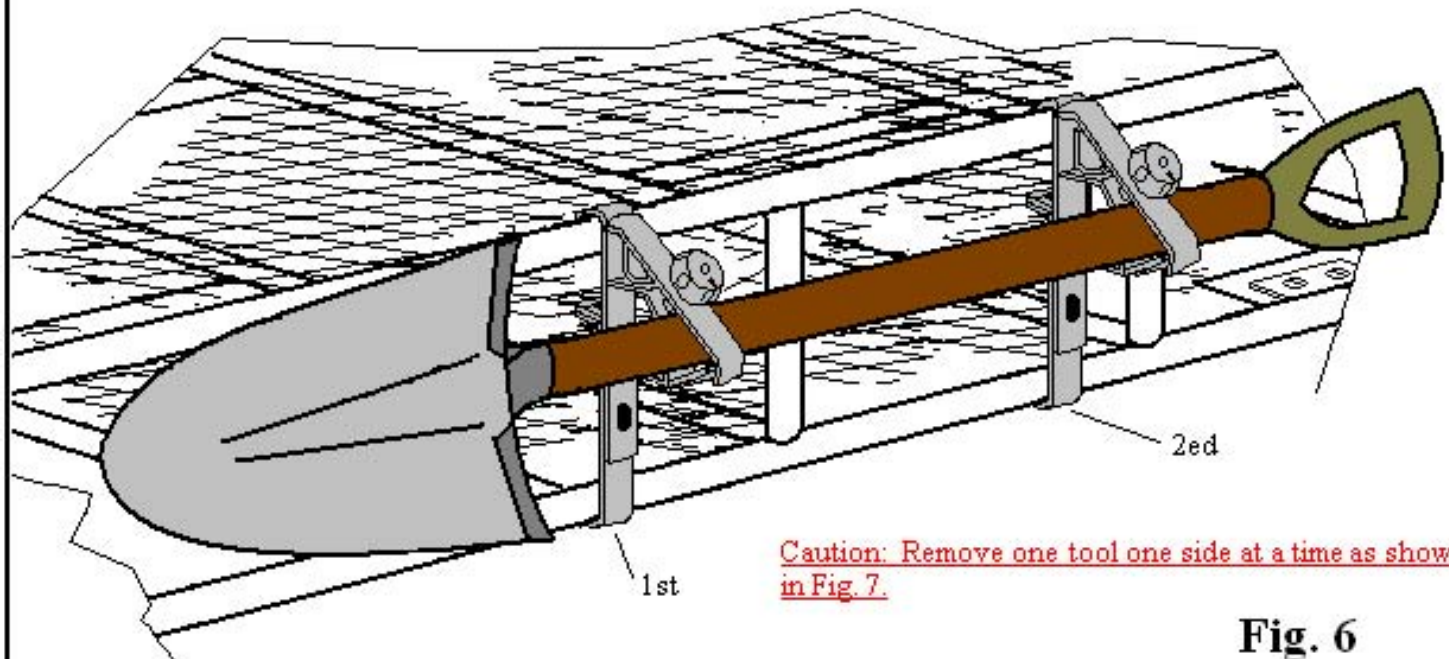


Fig. 5

HUMMER H1/H2/H3 AXE/SHOVEL ATTACHMENT FOR RANGER STYLE ROOF RACK EXTERIOR MOUNT INSTALLATION INSTRUCTIONS

**Fig. 6**

User Safty Instructions:

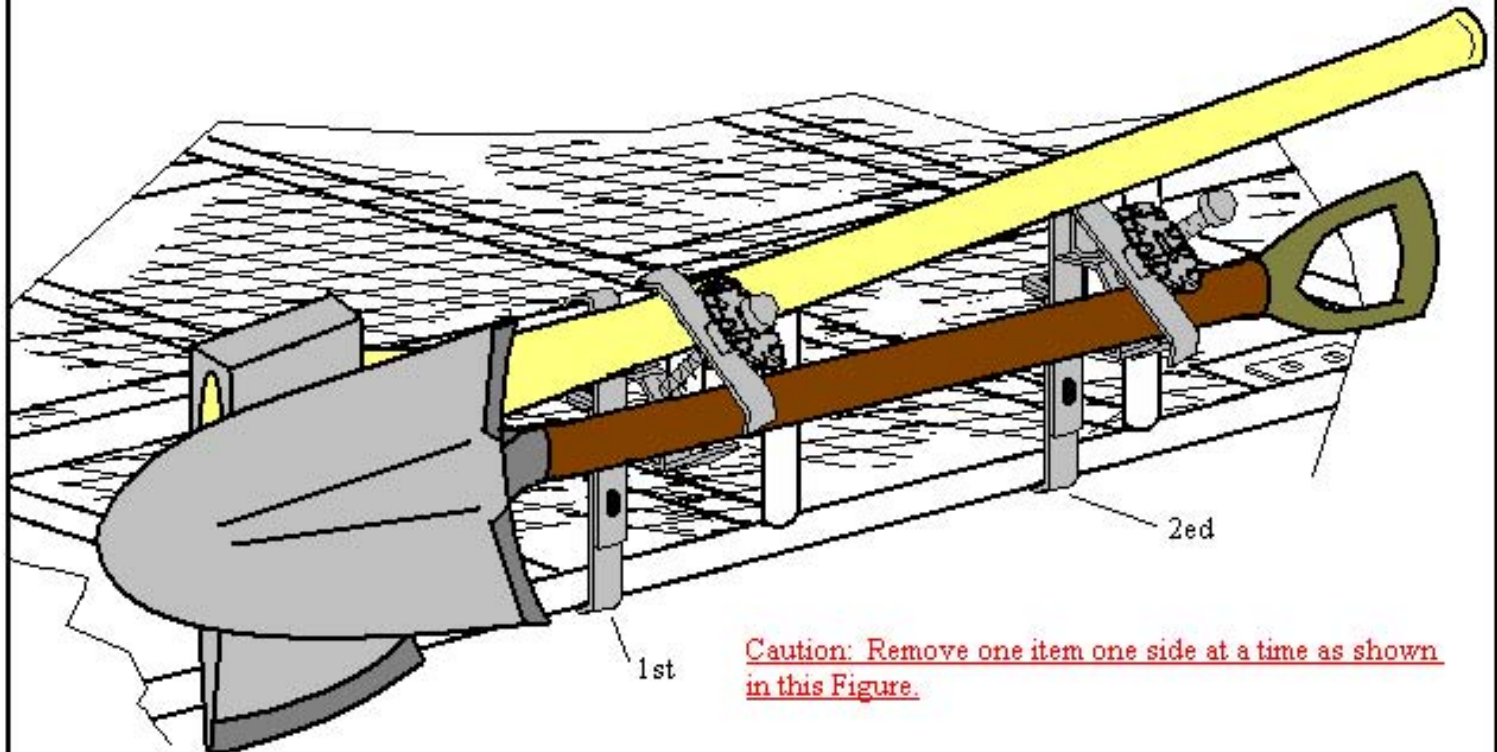
When installing Axe and or Shovel into bracket assembly take extreme caution that no persons are immediatly under or around you while attaching Axe and or Shovel. Axe and or Shovel may slip from your hands causing serious injury.

* When removing Axe and or Shovel remove one tool at a time one side at a time using the following procedure.

Installing Axe/Shovel:

1. Both "Locking knobs" must be completely loosened at this time. To loosen twist locking key so that the knob can be locked internally this will allow you to unscrew the knob on the threaded post then loosen the locking knobs close to the end of the threaded post with out removing them. The Tool Clamp as shown on Fig. 5 page 4 can be twisted clockwise or counter clockwise and moved out of the way to easily place or remove the Axe and or Shovel. Both locking knobs must remain on the threaded posts at all times.
2. Place the Shovel onto the shovel rests as shown in Fig. 6 page 5 then align the Tool Clamps with the Axe/Shovel brackets as shown on Fig. 6 page 5. Tighten both "Locking knobs" securely and turn the key so that the "Locking knobs" turn freely to prevent theft.
3. If you wish to install an Axe first completely loosen the "Locking knob" closest to the spade side of the shovel as shown in Fig. 7 page 6 (1" bracket). Do not loosen the 2ed "Locking Knob" at this time.
4. Place the head side of the Axe onto the Axe rest of the Axe/Shovel brackets as shown in Fig. 7 page 6 (1" bracket) and tighten down the "Locking Knob" while aligning the Tool Clamp with the Axe/Shovel bracket so that both the Axe and Shovel can not be removed. Do not tighten down completely at this time.
5. Completely loosen the "Locking Knob" of the (2ed bracket) which is holding down the handle side of the Shovel and place the handle side of the Axe on to the Axe rest of the Axe/Shovel bracket and tighten down the "Locking Knob" completely while aligning the Tool Clamp to the Axe/Shovel bracket.
6. Tighten down both "Locking Knobs" firmly and securely at this time. After checking that both Axe and Shovel are firmly held in place with the Tool Clamps in line with each Axe/Shovel bracket use the keys supplied with your kit and lock the knobs so that the knobs turn freely installation is complete.

HUMMER H1/H2/H3 AXE/SHOVEL ATTACHMENT FOR RANGER STYLE ROOF RACK EXTERIOR MOUNT INSTALLATION INSTRUCTIONS

**Fig. 7****User Safety Instructions:**

Removing the Axe and or Shovel:

- 7- Completely loosen the "Locking knobs" of the (2ed bracket) holding down the handle side of the Axe and Shovel as shown in Fig 7 page 6 remove the handle side of the Axe or Shovel which ever you wish to remove first then place that handle outside the Tool clamp. Realign the Tool Clamp with the Axe/Shovel bracket and then retighten the "Locking Knob" to hold down the tool left in the Ax e/Shovel brackets.
- 8- Loosen the (1" bracket) "Locking Knob" as shown in Fig 6 page 5 and release the same tool Axe or Shovel from the Tool Clamp and retighten the "Locking Knob" to hold in place the tool left in the Axe/Shovel brackets.
- 9- Repeat the procedure #7 thru #8 to remove the tool left in the Axe/Shovel attachment or securely tighten and lock the tool left in the Ax e/Shovel attachment in place.

"Use Caution when installing or removing Axe or Shovel from brackets as they may slip from your hand causing serious injury or damage to your vehicle."