

## GOBI FULL SIZE H2 STEALTH ROOF RACK INSTALLATION INSTRUCTIONS

### Guidelines:

When using Load Carriers and Accessories, the user must understand the precautions. The points listed below will assist you in using the rack /carrier system and will encourage safety.

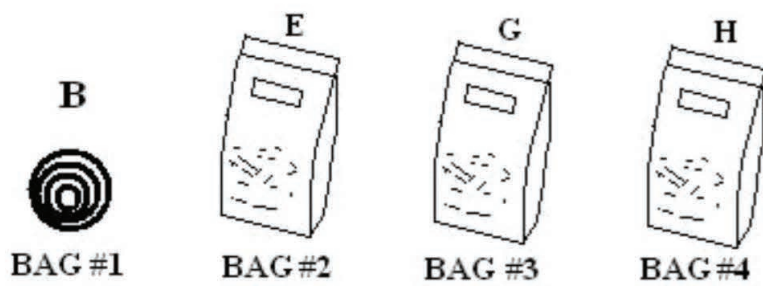
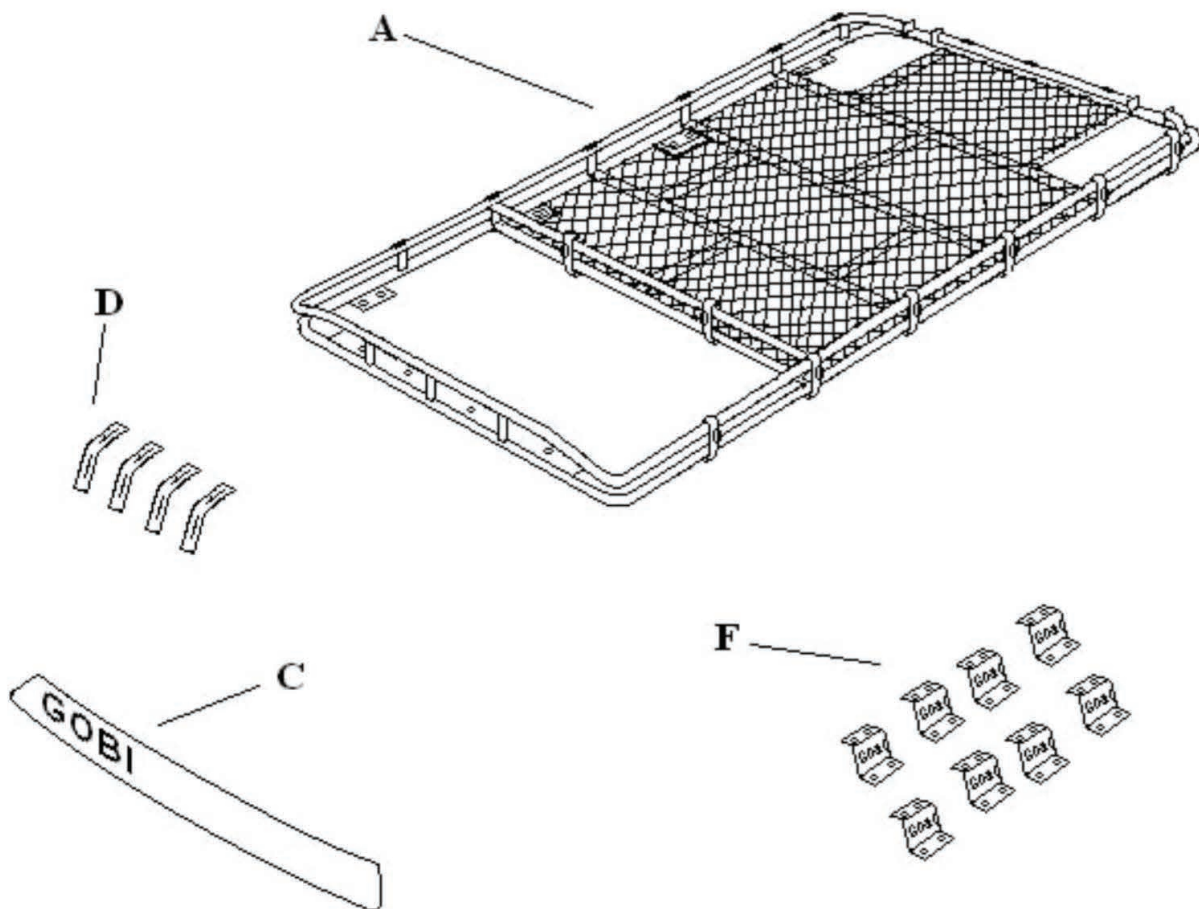
- For quality fits and safety, use only the recommended rack or accessory. Do not assume an accessory will fit, always check with dealer when obtaining new accessories. Use only approved accessories on load carriers. Using other brands will void your warranty.
- Make sure all knobs, bolts, screws, straps, and locks are firmly attached, tightened and locked before every trip. Knobs, bolts, screws, straps, and locks must be periodically inspected for signs of wear, corrosion, and fatigue. Check your load at stops during the trip to insure continued fastening security.
- Check local and state laws governing projection of objects beyond the width of a vehicle. **Be aware of the width and height of your cargo since low clearance branches, bridges, and parking garages can affect the load** All cargo will affect the vehicle's driving behavior. Never drive with any lock, knob, or rack in an open or unlocked position. All long loads such as, but not limited to sailboards, surfboards, kayaks, canoes, and lumber must be tied down front and rear to the bumpers or tow hooks, of the vehicle.
- Remove your rack accessories when they are not in use, before entering car washes, prior to taking in your vehicle for service, and whenever clearance may be an issue.
- All locks must be turned and moved periodically to insure smooth operation. Use graphite or similar dry lubricant to help this. Locks are designed to deter vandalism and theft. Remove valuable gear if your vehicle is unattended for an extended period. Place at least one key in the glove compartment.
- For safety to your vehicle and rack system, obey all posted speed limits and traffic cautions. Adapt your speed to the conditions of the road and the load being carried.
- Do not use load carriers and accessories for purposes other than those for which they were designed. Do not exceed their carrying capacity.
- Consult with your dealer if you have any questions regarding the operations and limits of this product. Review all instructions carefully.

## GOBI FULL SIZE H2 STEALTH ROOF RACK INSTALLATION INSTRUCTIONS

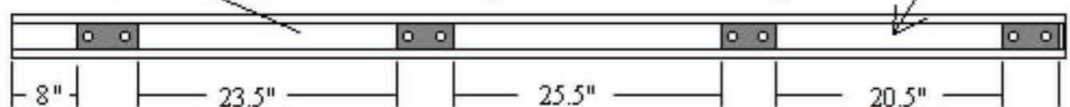
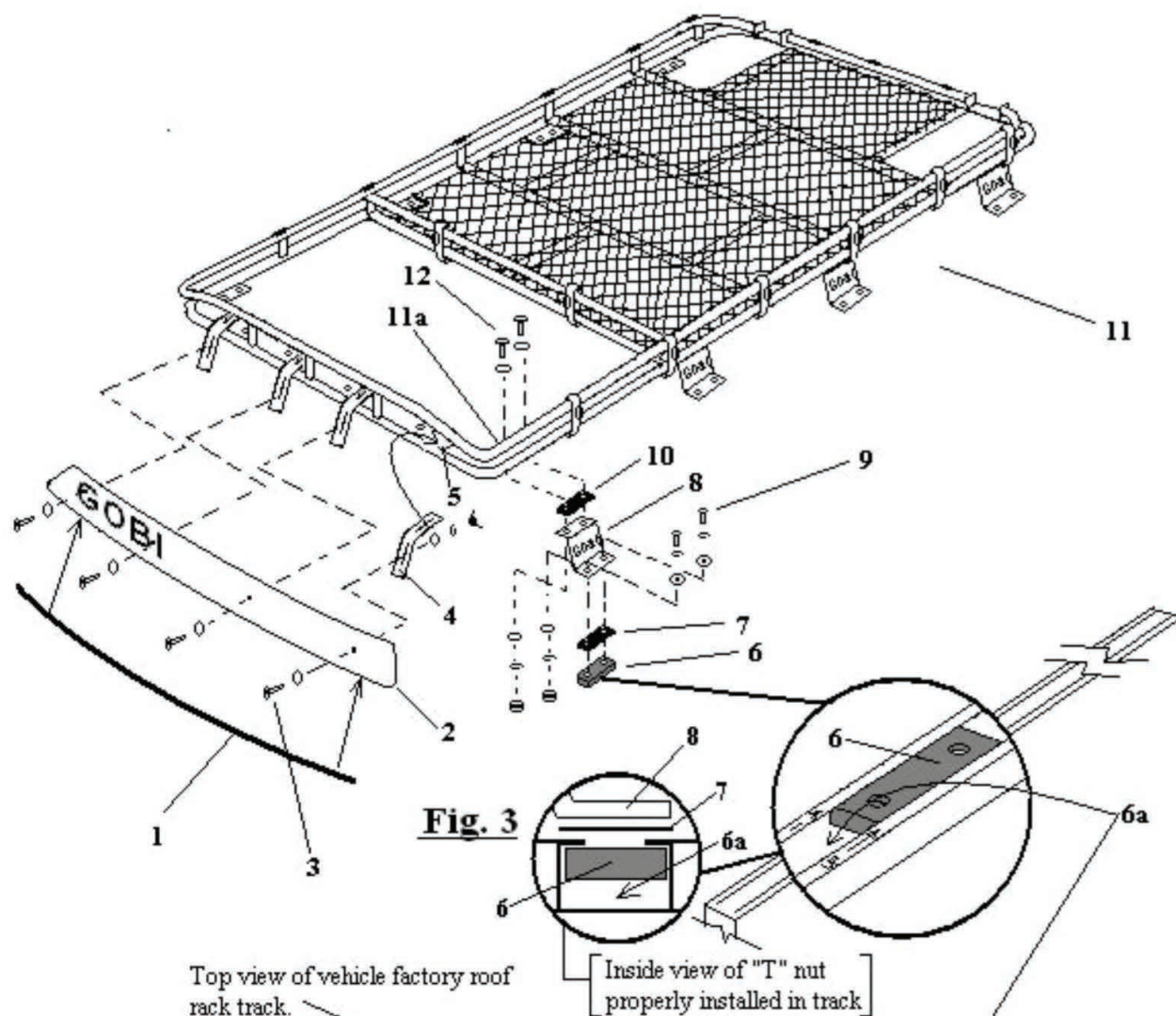
### Included in kit

Letter	Description	Location	Quantity
A	GOBI H2 FULL SIZE STEALTH ROOF RACK	Main box	1
B	FAIRING RUBBER PROTECTIVE STRIP	<b>BAG #1</b>	1
C	FAIRING	banded to rack	1
D	FAIRING BRACKETS (pre-assembled to fairing)	pre-assembled	4
E	FAIRING BRACKET HARDWARE CONTENTS: 4- 1/4-20x3/4" SS Button head screw 12- 1/4" Black nylon washer 4- 1/4-20 Nylok nut	<b>BAG #2</b> Hardware Box	1
F	GOBI SUPPORT BRACKETS	Hardware Box	8
G	GOBI SUPPORT BRACKET HARDWARE CONTENTS: 8- "T" nut black zinc plated 16- 5/16"-18 x 1" Stainless button head screw 16- 5/16" Stainless washer 16- 5/16" Stainless lock washer 8- Rubber pad black 1- 3/16" allen wrench	<b>BAG #3</b> Hardware Box	1
H	GOBI SUPPORT BRACKET HARDWARE CONTENTS: 16- 3/8"-16 x 1" Stainless bolt 32- 3/8" Stainless washer 16- 3/8" Nylock nut 8- Rubber pad black	<b>BAG #4</b> Hardware Box	1

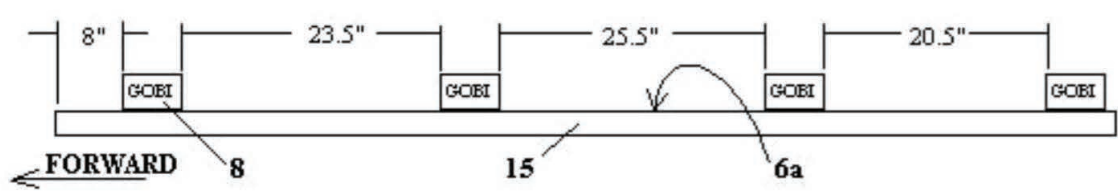
## GOBI FULL SIZE H2 STEALTH ROOF RACK INSTALLATION INSTRUCTIONS



## GOBI FULL SIZE H2 STEALTH ROOF RACK INSTALLATION INSTRUCTIONS



**Fig. 2**



**Fig. 1**

## GOBI FULL SIZE H2 STEALTH ROOF RACK INSTALLATION INSTRUCTIONS

*The rack must be inspected before each use to make certain attachments are secure, and for evidence of Wear. Misuse of the rack or failure to observe the manufacturer's instructions as to installation, proper Attachment and maintenance will void any warranties that may be implied by law.*

1. Plastic Bag labeled #1 remove contents and press rubber protective strip #1 on to bottom of fairing #2.
2. Plastic Bag labeled #2 remove contents and place black button head screw #3 thru black washer and then thru fairing #2. Place fairing onto bracket #4 and attach black washer, lock washer and wing nut finger tight only. Attach all 4 brackets but do not attach fairing to rack at this time.
3. Remove both Factory cross bars they are no longer needed.
4. Plastic Bag labeled #3 remove contents and insert black "T" nuts #6 into roof track slot 6a to both roof tracks #15 and space apart as shown in Fig. 2 page 4.
5. Plastic Bag labeled #3 remove contents and place the rubber washer #7 on to factory roof track slot above each "T" nut both tracks.
6. Place support bracket #8 in the direction shown in the illustration with small bolt holes faced down onto rubber washer #7 and thread bolts, lock washers and washers #9 found in Plastic Bag labeled #3 thru support bracket #8 and into "T" nut #6. **Make certain** "T" nuts are installed in vehicle roof track 6a correctly as shown in Fig. 3 page 4. Repeat this step to all #8 support brackets and keep spacing of #8 support brackets as shown in Fig. 1 page 4. Finger tighten bolts at this time.
7. After all #8 support brackets have been installed and spaced as shown in Fig. 1 page 4 place the GOBI rack #11 with welded-in brackets #11a on top of all #8 support brackets.
8. After placing the GOBI rack #11 on top of the #8 support brackets slide the black rubber washers #10 found in Plastic Bag labeled #4 between all 6 GOBI rack welded-in brackets #11a and the #8 support brackets. Install all #12 bolts, washers, lock washers and nuts found in Plastic Bag labeled #4 as shown in the illustration page 4 and finger tighten at this time.

## GOBI FULL SIZE H2 STEALTH ROOF RACK INSTALLATION INSTRUCTIONS

9. After all nuts and bolts have been installed pull the entire Gobi roof rack to the rear of the vehicle's roof tracks and complete roof rack alignment to the vehicle. Tighten all nuts and bolts securely at this time.
  
10. Place the fairing #2 with attached brackets #4 to the light bar #5 of the rack. Align fairing bracket #4 with the small holes in the light bar #5. Place the screws and washers thru bracket #4 and thru light bar #5 finger tighten using the washers and nuts supplied in Plastic Bag labeled #2. Position the fairing so that it is behind the exterior roof lamps and approximately ½" from the sides of the roof Mast. Also be certain the fairing is at or below the bottom of the forward off road lights this will prevent any light beam blockage. Tighten all fairing nuts and bolts and maintain that the fairing remains smooth through out its curve and tight against the vehicle roof to prevent wind chatter. If the fairing becomes distorted during the tightening procedure you may need to move a bracket in or out or pivot right or left in order to provide the Fairing with a smooth surface appearance. If necessary fairing brackets may be bent in order to remove all deformation. When installation of the fairing is completed the Fairing must be tight against the vehicle roof surface and free from distortion.