

## GOBI TOYOTA LAND CRUISER 80 SERIES LADDER INSTALLATION INSTRUCTIONS

*The Gobi ladder must be inspected before each use to make certain attachments are secure, and for evidence of Wear. Misuse of the ladder or failure to observe the manufacturer's instructions as to installation, proper Attachment and maintenance will void any warranties that may be implied by law.*

# CAUTION

**IF PRESENT REAR DOOR SPOILER MUST BE REMOVED  
PRIOR TO INSTALLATION**

**"LADDER IS TO BE TRAVERSED UPON  
ONLY**

**WHEN THE REAR DOOR TAIL GATE**

**AND LIFT GATE ARE FULLY**

**CLOSED AND LOCKED"**

## GOBI TOYOTA LAND CRUISER 80 SERIES LADDER INSTALLATION INSTRUCTIONS

### Guidelines:

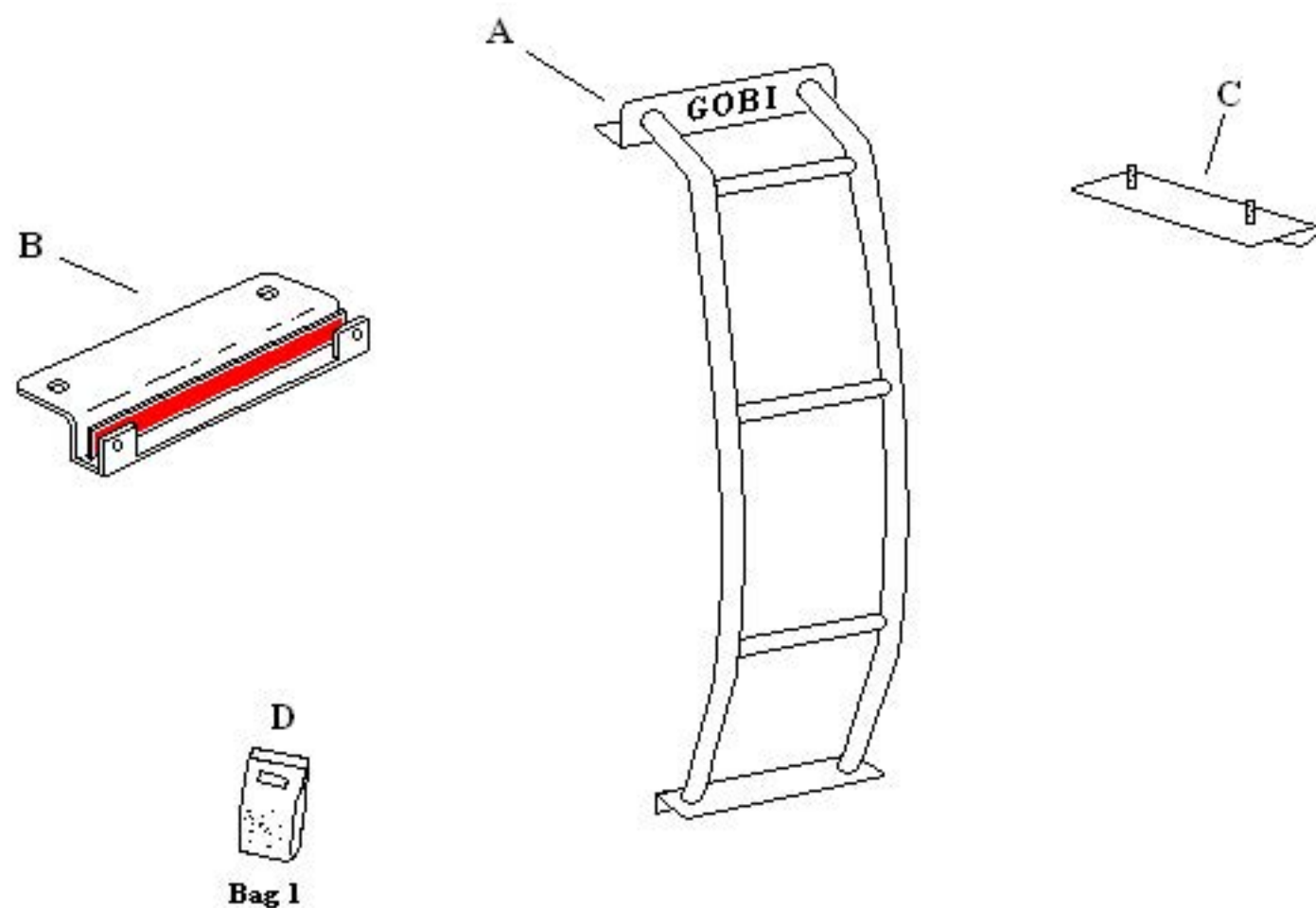
When using Load Carriers and Accessories, the user must understand the precautions. The points listed below will assist you in using the rack /carrier system and will encourage safety.

- For quality fits and safty, use only the recommended rack or accessory. Do not assume an accessory will fit, always check with dealer when obtaining new accessories. Use only approved accessories on load carriers. Using other brands will void your warrenty.
- Make sure all knobs, bolts, screws, straps, and locks are firmly attached, tightened and locked before every trip. Knobs, bolts, screws, straps, and locks must be periodically inspected for signs of wear, corrosion, and fatigue. Check your load at stops during the trip to insure continued fastening security.
- Check local and state laws governing projection of objects beyound the width of a vehicle. **Be aware of the width and height of your cargo since low clearance branches, bridges, and parking garages can affect the load** All cargo will affect the vehicle's driving behavior. Never drive with any lock, know, or rack in an open or unlocked position. All long loads such as, but not limited to sailboards, surfboards, kayaks, canoes, and lumber must be tied down front and rear to the bumpers or tow hooks, of the vehicle.
- Remove your rack accessories when they are not in use, before intering car washes, prior to taking in your vehicle for service, and whenever clearance may be an issue.
- All locks must be turned and moved periodically to insure smooth operation. Use graphite or similar dry lubricant to help this. Locks are designed to deter vandalism and theft. Remove valuable gear if your vehicle is unattended for an extended period. Place at least one key in the glove compartment.
- For safety to your vehicle and rack system, obey all posted speed limits and traffic cautions. Adapt your speed to the conditions of the road and the load being carried.
- Do not use load carriers and accessories for purposes other than those for which they were designed. Do not exceed their carrying capacity.
- Consult with your dealer if you have any questions regarding the operations and limits of this product. Review all instructions carefully.

## GOBI TOYOTA LAND CRUISER 80 SERIES LADDER INSTALLATION INSTRUCTIONS

Included in kit

Letter	Description	Location	Quantity
A	GOBI LAND CRUISER 80 REAR DOOR LADDER	Main box	1
B	LOWER LADDER CLAMP	strapped to ladder	1
C	LADDER HANGER BRACKET	strapped to ladder	1
D	GOBI LADDER MOUNTING HARDWARE CONTENTS: 2-5/16" x 18 Stainless Nuts 2-5/16" Stainless Lock washers 2-5/16" Black neoprene stainless washer 1-3/16 allen wrench 1-1/8" allen wrench 2- 5/16 x 1" Button head Screw SS 2- 5/16" Flat washers SS 2- 5/16" Lock washer SS	BAG #1	1





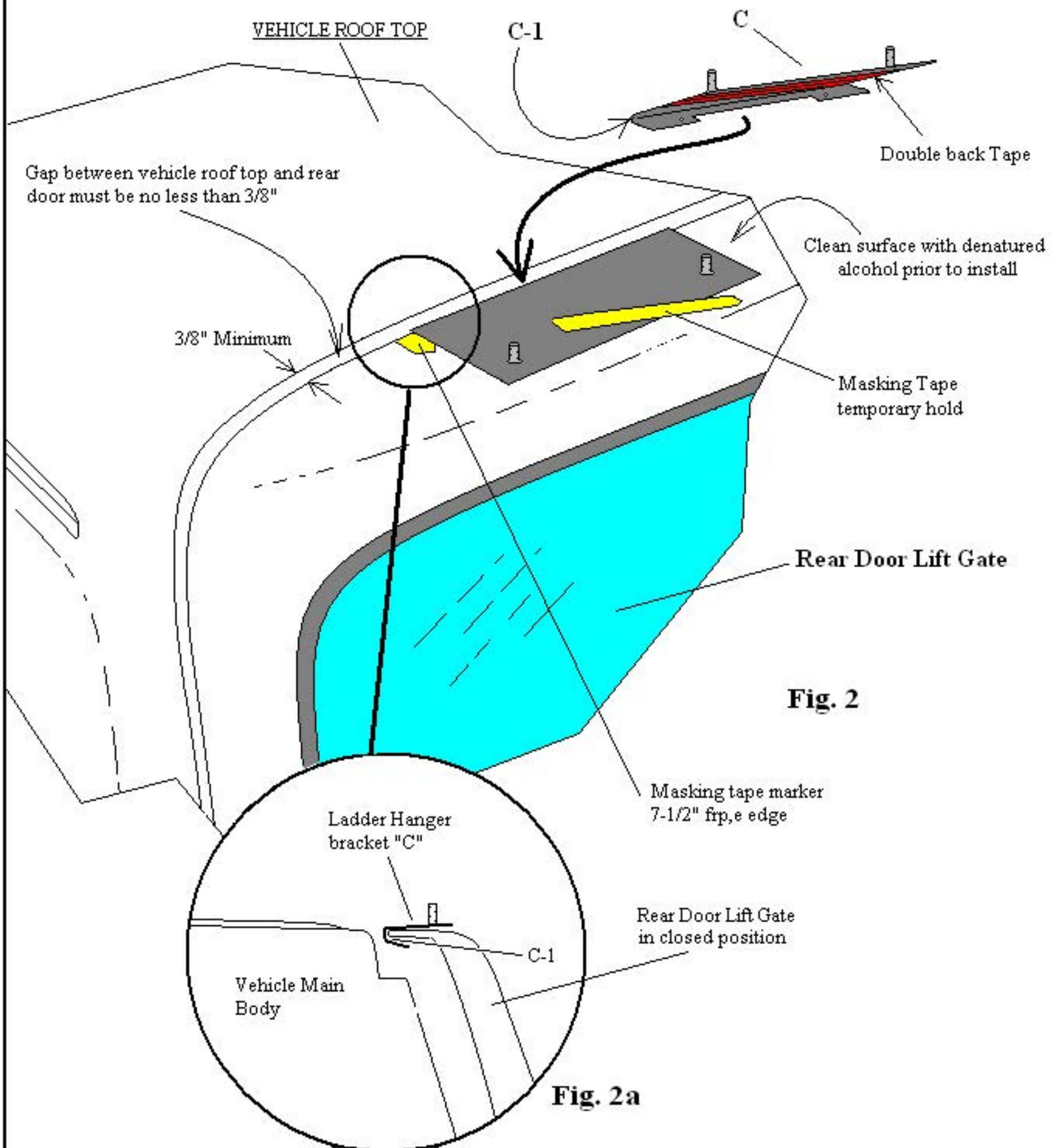
# GOBI TOYOTA LAND CRUISER 80 SERIES LADDER INSTALLATION INSTRUCTIONS

The Gobi ladder must be inspected before each use to make certain attachments are secure, and for evidence of Wear. Misuse of the ladder or failure to observe the manufacturer's instructions as to installation, proper Attachment and maintenance will void any warranties that may be implied by law.

## INSTALLATION INSTRUCTIONS:

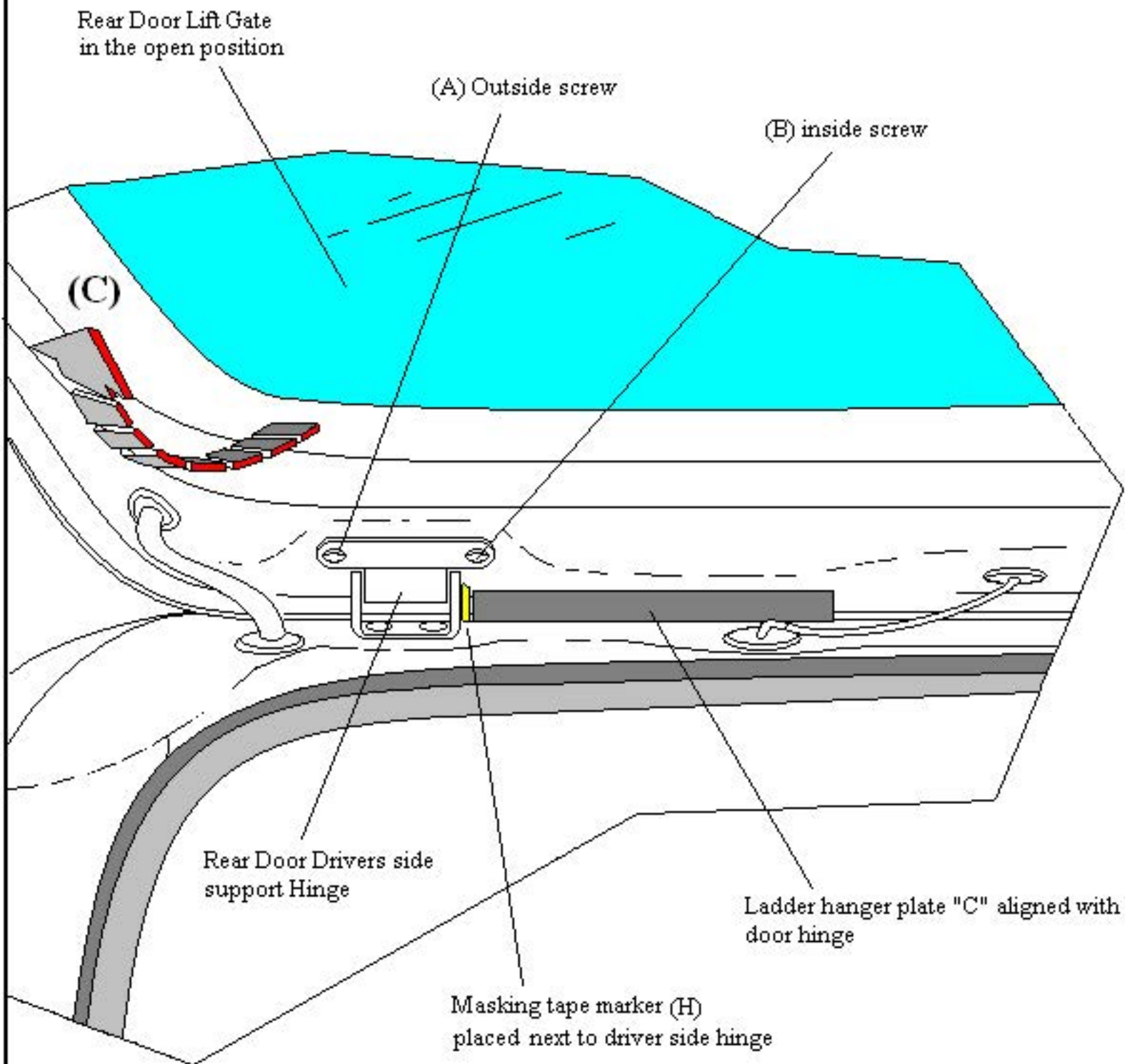
- 1- Prior to install read all instructions carefully then refer back to page 3 and make certain all parts are present before installation.
- 2- Refer to page 5 Fig. 2 and check that the gap between the top of your rear door lift gate and the vehicle measures  $3/8"$  if the gap is less you will need to open the gap to at least  $3/8"$ . To open the gap between of the rear door lift gate and the vehicle to  $3/8"$  Refer to page 6 Fig. 3 and lift open the rear door lift gate as shown at this time. Using a 12mm socket wrench loosen both driver side screws (A) outside screw and (B) inside screw then move the to the passenger side and loosen only screw (B) inside. Lift door in the direction of arrow (C) then tighten only screw (A) outside on driver side. Move to the passenger side and loosen the remaining screw (A) outside and lift rear door in the same manner then retighten screw (A) outside then tighten all remaining screws (B). Once all screws have been tightened lower the rear door lift gate back into its closed position and measure the gap between the rear door and the vehicle. If the door gap measures  $3/8"$  or slightly more then you are finished if the door measures the same or slightly more repeat the procedure again until you have achieved a  $3/8"$  gap.
- 3- Refer to page 6 Fig. 3 with a piece of masking tape mark the driver side hinges inside edge (H) so that the masking tape marker can be seen from the outside when the rear door lift gate is closed. After the masking tape marker has been placed close the rear door lift gate. Refer to page 5 Fig. 2 remove hanger plate "C" from your hardware kit *"Do not remove the double back tape at this time"*. With the masking tape marker visible slide the ladder hanger plate "C" as shown in Fig. 2 between the gap of the lift gate and the vehicle body and move over so that the hanger plate "C" left side edge is next to the inside edge of the driver side door hinge using the masking tape marker as a guide. With hanger plate "C" in place next to or on the masking tape marker place an additional piece of masking tape across the hanger plate and onto the vehicle to temporarily hold in place as shown in Fig. 2.
- 4- Refer to page 7 Fig. 4 attach ladder "A" on to upper ladder hanger plate "C" as shown. *"Do not peel off double back protective film at this time"*. Set the base (A-1) of ladder (A) driver side edge ( $14-1/4"$ ) away from driver side edge of lift gate door as shown then place a masking tape mark on the lift gate door driver's side of ladder base (A-1) to indicate the exact edge. Step back and look at the ladder if it appears to be slanted remove the ladder and reposition hanger plate "C" at the top of the lift gate door either right or left to compensate then reattach hanger plate "C" and ladder to confirm, you may want to use a level to be accurate. *"Do not move the  $14-1/4"$  lower masking tape marker as this position must remain constant"*. Once you have confirmed that the ladder is vertically true place a piece of masking tape next to hanger plate "C" as shown on page 5 Fig. 2 then remove the ladder.
- 5- Refer to page 5 and remove the ladder hanger plate "C" from the door, clean the surface area where the ladder hanger plate is to be attached with denatured alcohol. Peel off the protective double back tape film and re-fit ladder hanger plate "C" back in place and be sure that the inner edge "C-1" is in full contact with the rear door lift gate's upper edge as shown in Fig. 2a. Once in place press down firmly and hold for at least 30 seconds.
- 6- Refer to page 8 Fig. 5 and Fig. 5a remove from your hardware kit lower ladder clamp "B". Remove from the lower ladder clamp "B" a ( $1/2" \times 10"$ ) aluminum pinch plate with double back tape attached. As shown in Fig. 5 and Fig. 5a clean the area on the outside and inside bottom lower lip of the rear door lift gate where the ladder was previously placed with denatured alcohol then peel off the double back tape from the aluminum pinch plate and attach to the inside door's lower lip as shown in Fig. 5a.
- 7- Refer to page 9 and remove the two  $5/16-18 \times 1"$  button head screws, lock washers and flat washers "C" from the bottom of the ladder using the  $3/16"$  Allen wrench supplied in your kit and place nearby as they will be needed shortly. Refer to page 7 Fig. 4 and remove the double back protective film from ladder base (A-1) then re-install ladder "A" back onto the hanger plate "C" as before. As you lower ladder "A" onto the rear door lift gate pull down firmly as you align the lower ladder base (A-1) to the masking tape marker previously made. With the help of another person keep lower ladder plate (A-1) in line with bottom lift gate lip and hold in place for 30 seconds.
- 8- Refer to page 9 Fig. 6 and Fig. 6a with the help of another person while still holding the ladder against the lift gate rear door open lift gate and install clamp "B" to the bottom of ladder (A-1) and rear door lift gate as shown in Fig. 6. Thread two  $5/16-18 \times 1"$  button head screws, lock washers and flat washers just recently removed back into the bottom of the ladder using the  $3/16"$  Allen wrench and fully tighten at this time. Continue to the inside of clamp "B" and tighten screws (B-3) using the  $1/8"$  Allen wrench supplied in your kit as shown in Fig. 6a. Caution do not fully bear down on screws "B-3" only two fully turns after screw contacts pinch plate.
- 9- Refer to page 7 Fig. 4 and install washers, lock washers and nuts (B-4) to the upper hanger plate as shown in Fig. 4 and fully tighten, *"Do not over tighten"*. Remove all previously applied masking tape markers. Installation is now completed.

# GOBI TOYOTA LAND CRUISER 80 SERIES LADDER INSTALLATION INSTRUCTIONS

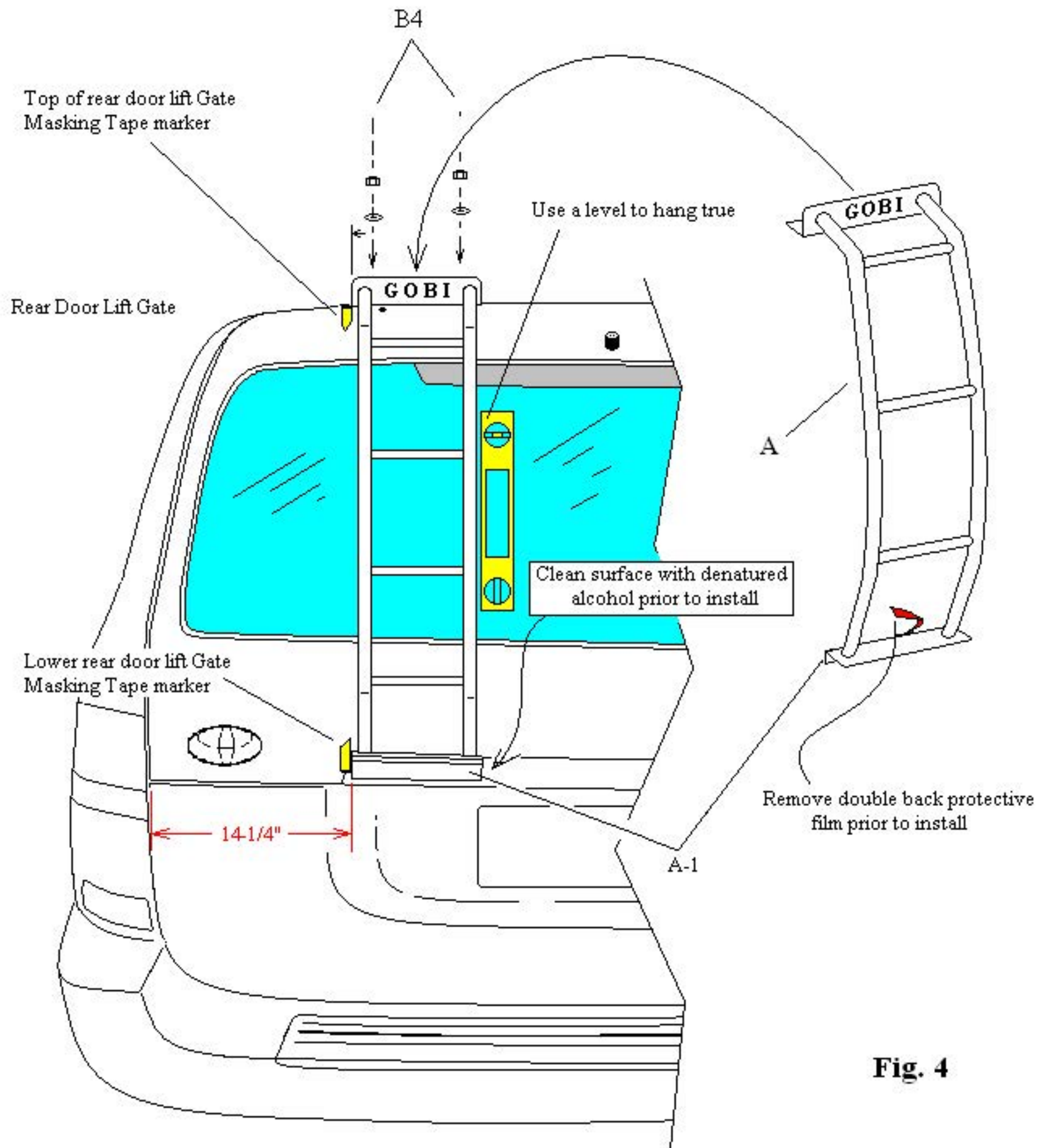




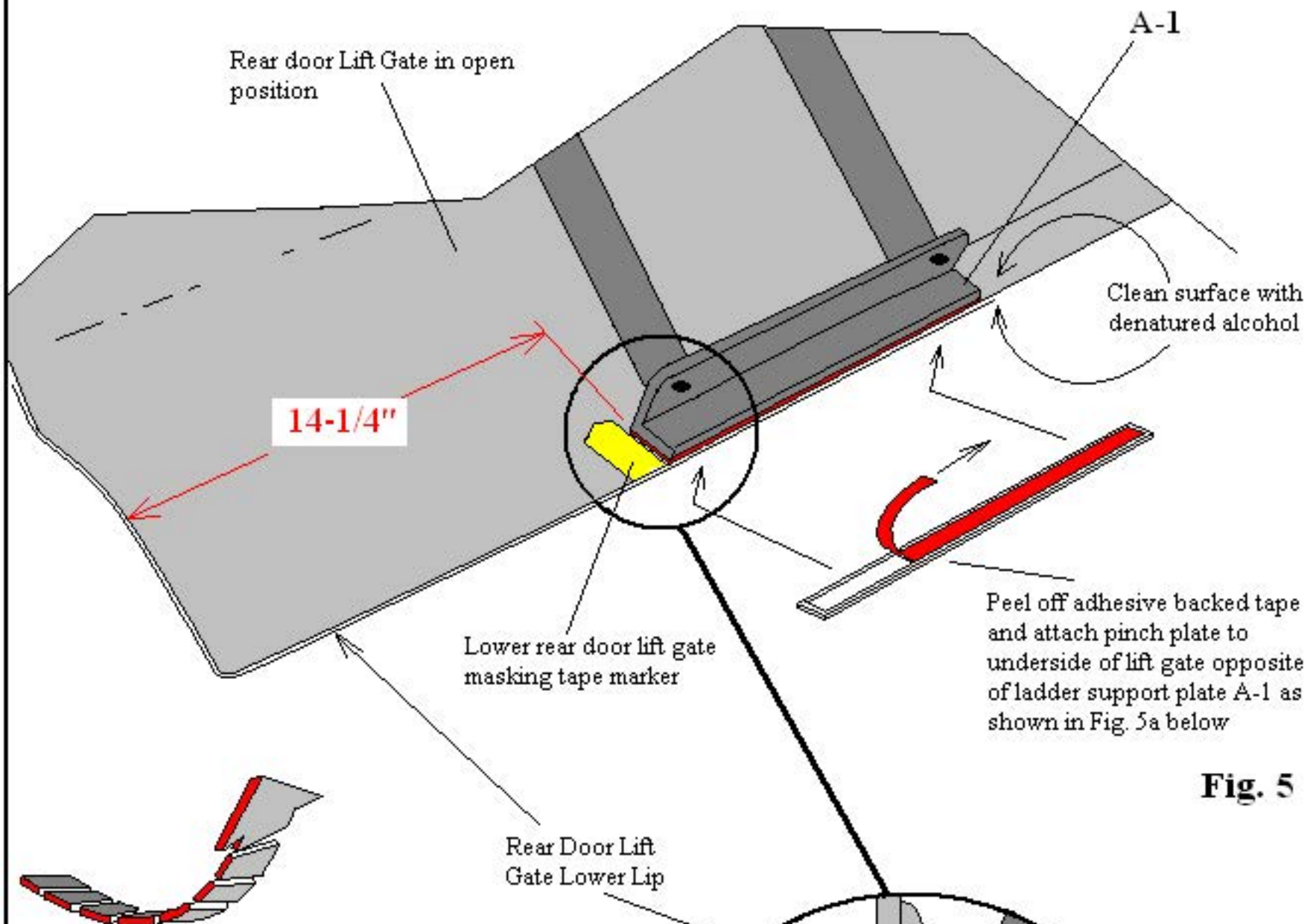
## GOBI TOYOTA LAND CRUISER 80 SERIES LADDER INSTALLATION INSTRUCTIONS

**Fig. 3**

# GOBI TOYOTA LAND CRUISER 80 SERIES LADDER INSTALLATION INSTRUCTIONS

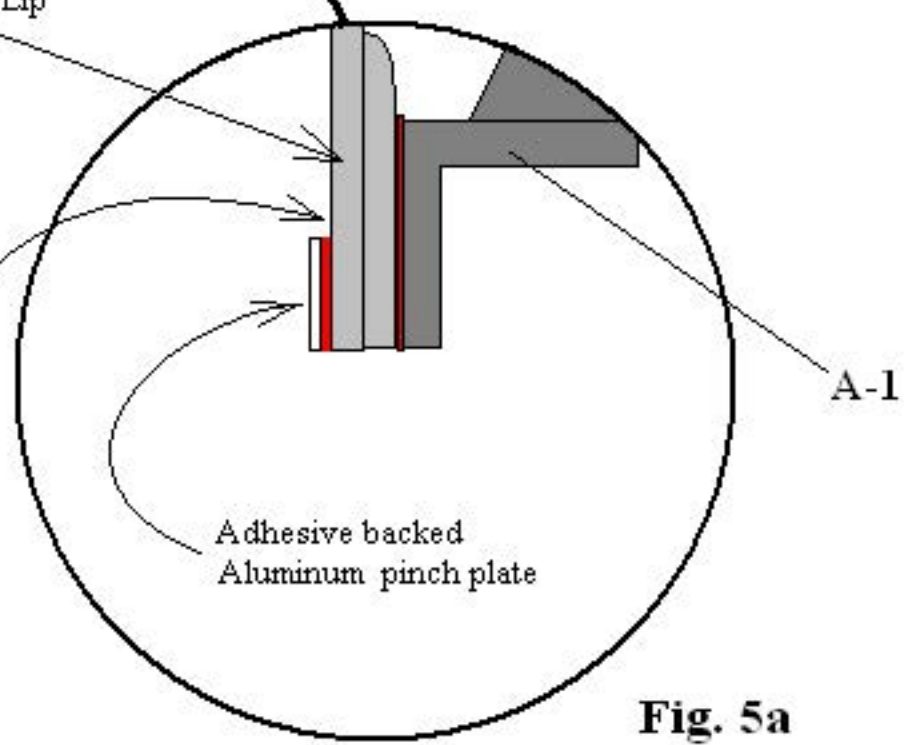
**Fig. 4**

## GOBI TOYOTA LAND CRUISER 80 SERIES LADDER INSTALLATION INSTRUCTIONS



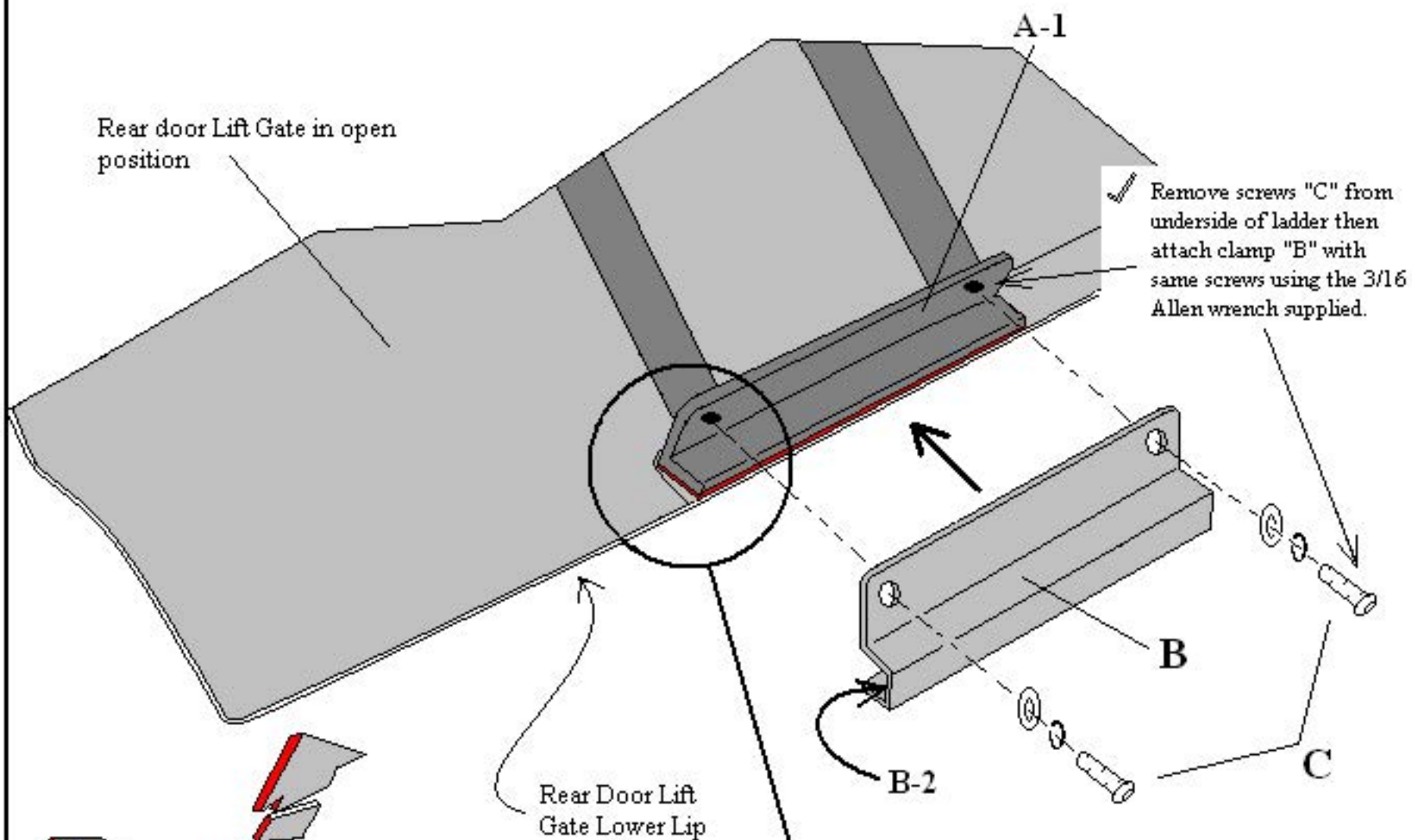
### Rear Door Open and Lifted for Clamp "B" installation

Clean the pinch plate contact area with denatured alcohol prior to install.





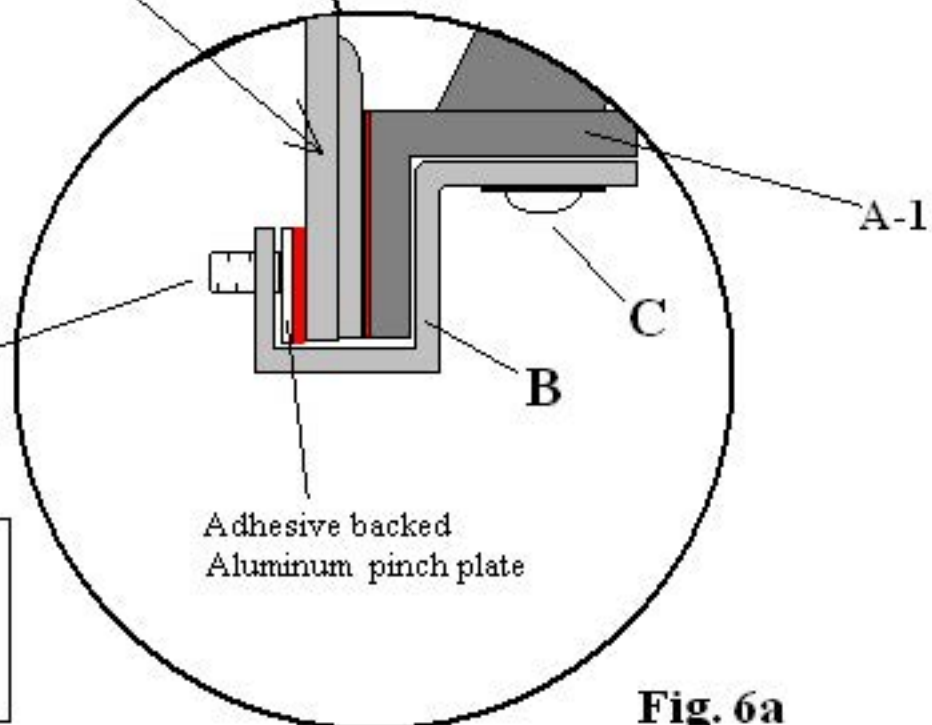
## GOBI TOYOTA LAND CRUISER 80 SERIES LADDER INSTALLATION INSTRUCTIONS

**Fig. 6**

### Rear Door Open and Lifted for Clamp "B" installation

B-3  
Set screw

**CAUTION:**  
Do not fully bear down on screws B-3 only two full turns are needed after screw contacts pinch plate.

**Fig. 6a**