

## GOBI STEALTH ROOF RACK CARGO TIE DOWN SYSTEM

### INSTALLATION GUIDE

#### Guidelines:

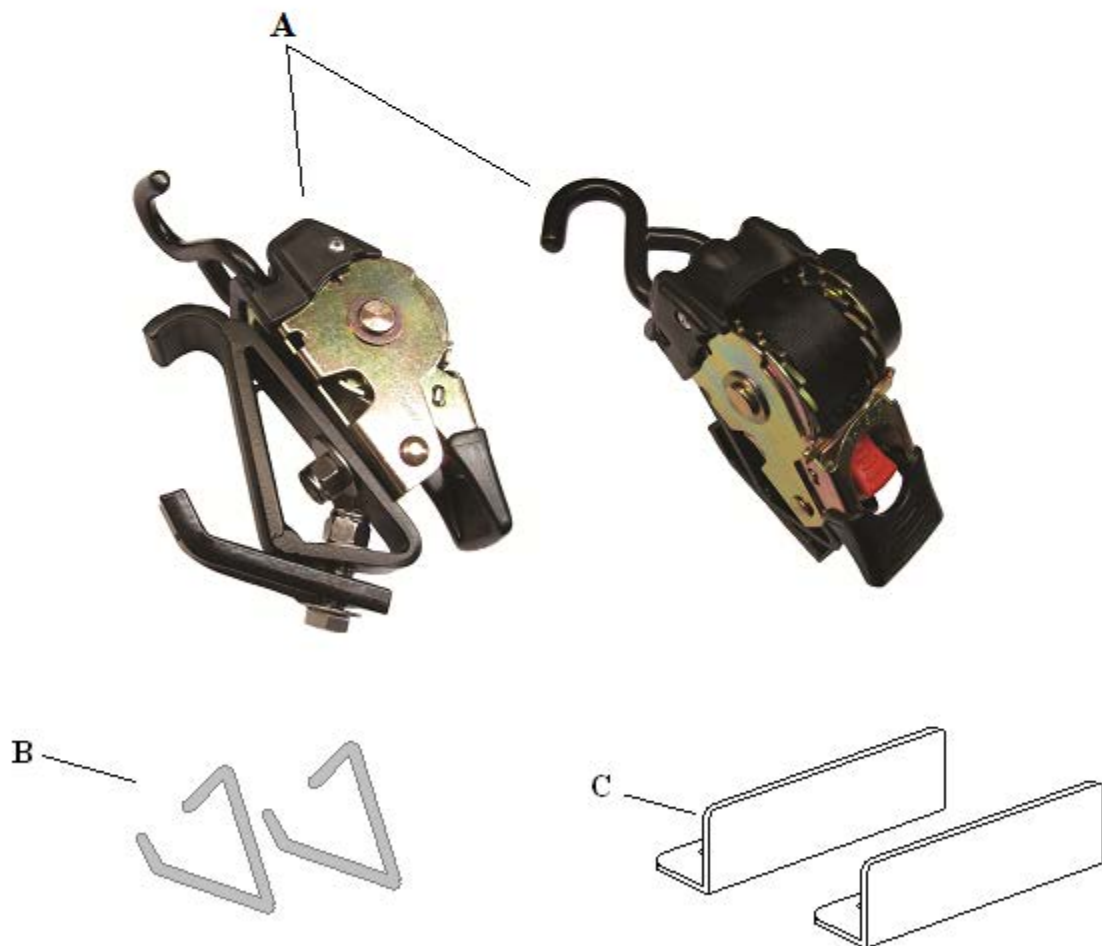
When using Load Carriers and Accessories, the user must understand the precautions. The points listed below will assist you in using the rack /carrier system and will encourage safety.

- For quality fits and safety, use only the recommended rack or accessory. Do not assume an accessory will fit, always check with dealer when obtaining new accessories. Use only approved accessories on load carriers. Using other brands will void your warranty.
- Make sure all knobs, bolts, screws, straps, and locks are firmly attached, tightened and locked before every trip. Knobs, bolts, screws, straps, and locks must be periodically inspected for signs of wear, corrosion, and fatigue. Check your load at stops during the trip to insure continued fastening security.
- Check local and state laws governing projection of objects beyond the width of a vehicle. **Be aware of the width and height of your cargo since low clearance branches, bridges, and parking garages can affect the load** All cargo will affect the vehicle's driving behavior. Never drive with any lock, knob, or rack in an open or unlocked position. All long loads such as, but not limited to sailboards, surfboards, kayaks, canoes, and lumber must be tied down front and rear to the bumpers or tow hooks, of the vehicle.
- Remove your rack accessories when they are not in use, before entering car washes, prior to taking in your vehicle for service, and whenever clearance may be an issue.
- All locks must be turned and moved periodically to insure smooth operation. Use graphite or similar dry lubricant to help this. Locks are designed to deter vandalism and theft. Remove valuable gear if your vehicle is unattended for an extended period. Place at least one key in the glove compartment.
- For safety to your vehicle and rack system, obey all posted speed limits and traffic cautions. Adapt your speed to the conditions of the road and the load being carried.
- Do not use load carriers and accessories for purposes other than those for which they were designed. Do not exceed their carrying capacity.
- Consult with your dealer if you have any questions regarding the operations and limits of this product. Review all instructions carefully.

## GOBI STEALTH ROOF RACK CARGO TIE DOWN SYSTEM INSTALLATION GUIDE

### Included in kit

Letter	Description	Quantity
A	RETRACTABLE CARGO STRAP CLAMP ASSEMBLY	2
B	THERMAL PLASTIC COATED DELTA HOOKS	2
C	Aluminum Black Powder Coated Stop Brackets	2
D	<u>TIE DOWN SYSTEM HARDWARE</u> CONTENTS: 4 5/16-18 x 1" SS Button head screw 8- 5/16" SS Flat Fender washer 4 5/16" Nylok Nut	BAG #1

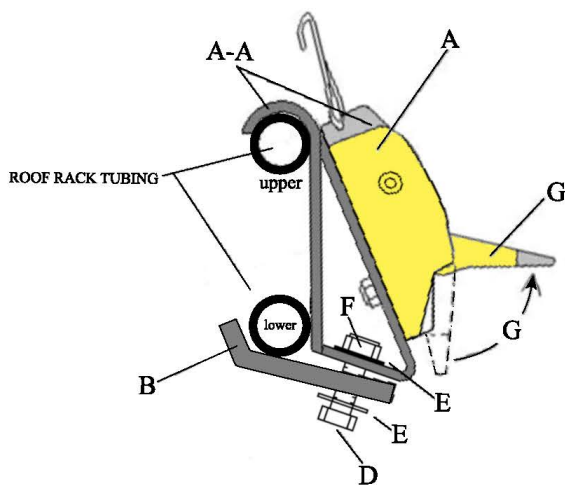
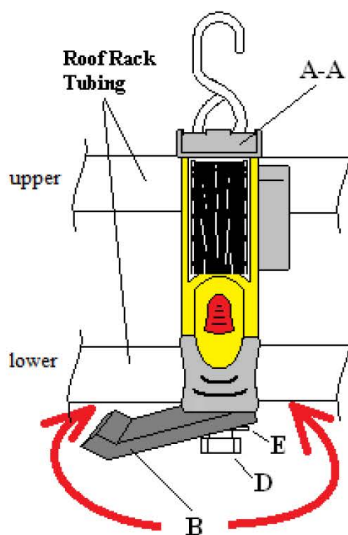


# GOBI STEALTH ROOF RACK CARGO TIE DOWN SYSTEM

## INSTALLATION GUIDE

### Installation instructions:

- 1- Read all instructions carefully and make certain all hardware is present prior to install.
- 2- The Cargo tie down straps can be anchored at any point along the outer Driver or Passenger side perimeters of the roof rack so long as the spacing of the upper and lower rack tubing fits within the attachment clamps "AA" and "B" as shown on page 3 Fig. 1. If you are planning to tie down a Jerry water or fuel can you should consider the roof rack "Cross Bar" shown on page 5 Fig. 2 and the "Outer perimeter tubing" as two points of stability. The third will be stop bracket "C" and the fourth will be the Delta Hook "B" as shown on page 5 Fig. 2 and Fig. 3. If possible decide ahead of time how your cargo will be stowed prior to install to avoid unnecessary repositioning of the Cargo tie down attachment.
- 3- Refer to page 3 Fig. 1 a and loosen bolt "D" then swing clamp "B" either to the right or left of the Cargo tie down ratchet attachment A-A as shown by the red arrows. Place the hook end of the Cargo tie down bracket A-A on the top roof rack tube as shown in Fig. 1 at any point around the passenger and driver side perimeters then swing clamp "B" to a position under lower tubing as shown in Fig. 1. Fully tighten bolt "D" and nut "F" to secure in place.

**Fig. 1****Fig. 1a**

## GOBI STEALTH ROOF RACK CARGO TIE DOWN SYSTEM INSTALLATION GUIDE

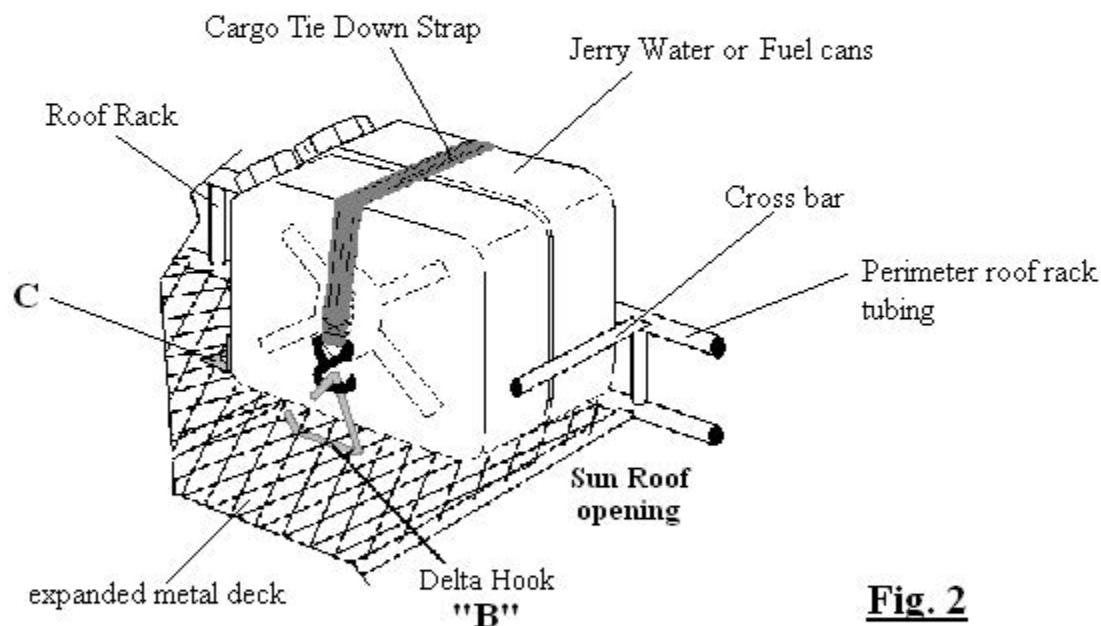
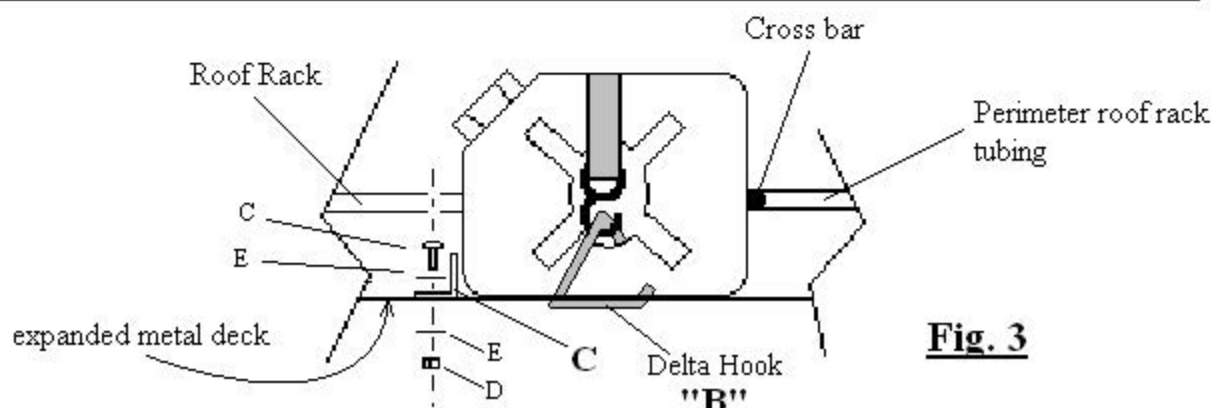
### BASIC RATCHET STRAP OPERATING INSTRUCTIONS

- 1- "TO START" make sure ratchet is in neutral position by pressing red thumb release until it is locked in place (fig. 1). Pull end of strap to desired length. Attach hooks to anchor points.
- 2- "TO OPERATE" press down on red release and position tightening tabs in slot (Fig. 2).
- 3- Proceed to tighten by moving the ratchet back and forth in slot until secure (Fig. 3). Do not over tighten.
- 4- "TO RETRACT" press down on red button (Fig. 4).



## GOBI STEALTH ROOF RACK CARGO TIE DOWN SYSTEM INSTALLATION GUIDE

Refer to page 5 Fig. 2 and Fig. 3 as mentioned in step 2 if you are planning to tie down a Jerry water or Fuel can you will have to anchor down all sides of the Jerry can securely to prevent dislodging during transport. For best results use a cross bar and outer perimeter tube of your Gobi roof rack as shown on page 5 Fig. 2 and Fig. 3 for securing two sides. Up to four Jerry cans can be tied down using one Gobi Cargo Tie Down ratchet. Once you have placed the Jerry can or cans on your roof rack in a position against the Cross bar and outer perimeter tubing you will have to install stop bracket "C" using the hardware located in Bag #1 of your hardware kit. Attach stop bracket "C" to the expanded metal deck as shown in Fig. 3 page 5. A single stop bracket is designed to span across the front of two 2 Jerry cans. Use Delta Hook "B" supplied in your kit to secure the final side of the Jerry can as shown in Fig. 2 and Fig. 3. Slide the Delta Hook under the expanded metal deck close to the side of the Jerry Can as shown in Fig. 2 then raise the short hook end of the Delta Hook upwards along the side of the Jerry Can. Slide the S-hook of the Cargo Tie Down strap under the Delta Hook as shown in Fig. 2 and Fig. 3. Using the Cargo ratchet handle (G) as shown in Fig. 1 page 3 ratchet the Jerry Cans down tightly and secure the handle by fully locking the handle in the down position, you will have to depress the red button and push downward. With the Gobi Jerry/Cargo Tie Down system canoes, kayaks, tents, ladders, generators basically anything can be tied down in place of Jerry cans at a moments notice. Installation is completed.

**Fig. 2****Fig. 3**