

GOBI 2010 TOYOTA SEQUOIA ROOF RACK INSTALLATION INSTRUCTIONS

Guidelines:

When using Load Carriers and Accessories, the user must understand the precautions. The points listed below will assist you in using the rack /carrier system and will encourage safety.

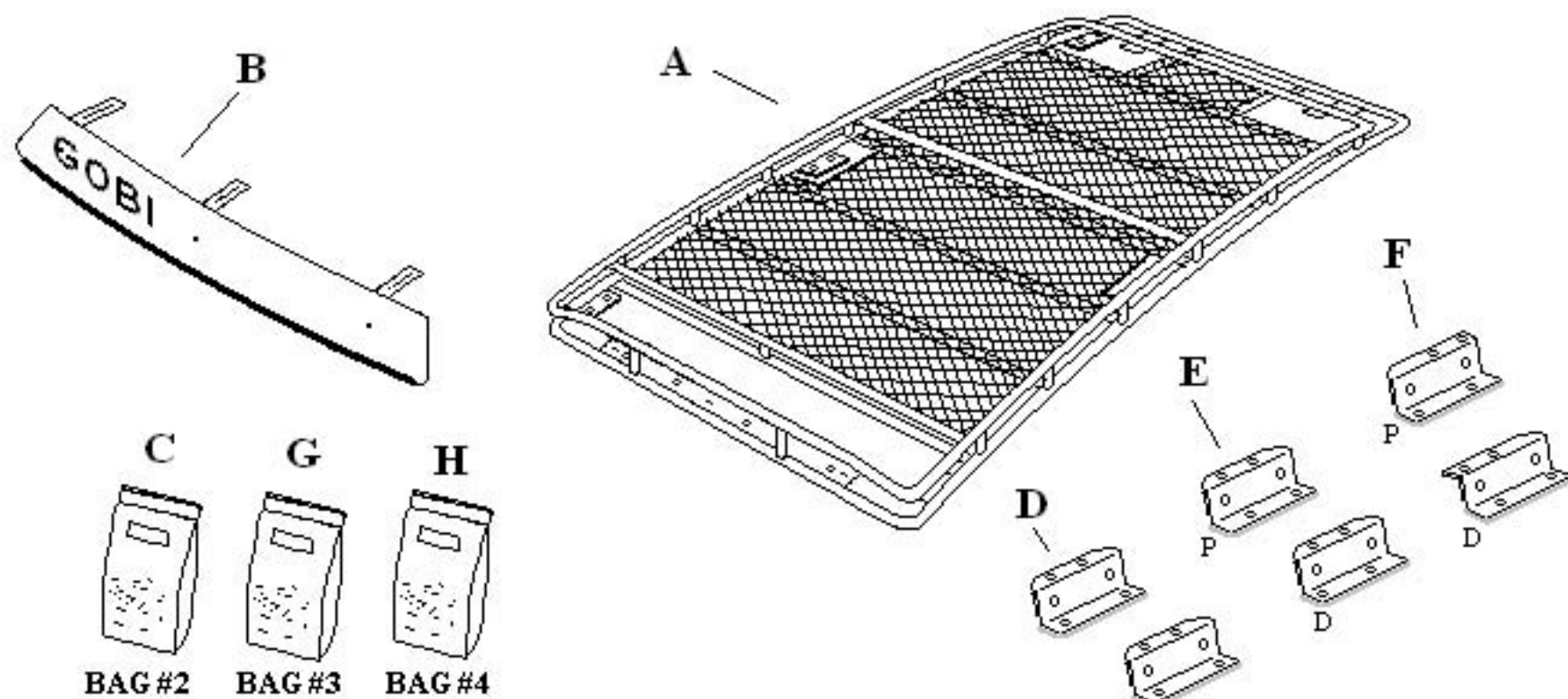
- For quality fits and safety, use only the recommended rack or accessory. Do not assume an accessory will fit, always check with dealer when obtaining new accessories. Use only approved accessories on load carriers. Using other brands will void your warranty.
- Make sure all knobs, bolts, screws, straps, and locks are firmly attached, tightened and locked before every trip. Knobs, bolts, screws, straps, and locks must be periodically inspected for signs of wear, corrosion, and fatigue. Check your load at stops during the trip to insure continued fastening security.
- Check local and state laws governing projection of objects beyond the width of a vehicle. **Be aware of the width and height of your cargo since low clearance branches, bridges, and parking garages can affect the load** All cargo will affect the vehicle's driving behavior. Never drive with any lock, knob, or rack in an open or unlocked position. All long loads such as, but not limited to sailboards, surfboards, kayaks, canoes, and lumber must be tied down front and rear to the bumpers or tow hooks, of the vehicle.
- Remove your rack accessories when they are not in use, before entering car washes, prior to taking in your vehicle for service, and whenever clearance may be an issue.
- All locks must be turned and moved periodically to insure smooth operation. Use graphite or similar dry lubricant to help this. Locks are designed to deter vandalism and theft. Remove valuable gear if your vehicle is unattended for an extended period. Place at least one key in the glove compartment.
- For safety to your vehicle and rack system, obey all posted speed limits and traffic cautions. Adapt your speed to the conditions of the road and the load being carried.
- Do not use load carriers and accessories for purposes other than those for which they were designed. Do not exceed their carrying capacity.
- Consult with your dealer if you have any questions regarding the operations and limits of this product. Review all instructions carefully.

GOBI 2010 TOYOTA SEQUOIA ROOF RACK

INSTALLATION INSTRUCTIONS

Included in kit

Letter	Description	Location	Quantity
A	GOBI TOYOTA SEQUOIA ROOF RACK	Main box	1
B	FAIRING	pre-assembled	1
C	FAIRING BRACKET HARDWARE CONTENTS: 3- 1/4-20x3/4" SS Button head screw 6- 1/4" Black nylon washer 3- 1/4-20 Nylok nut	BAG #2 Hardware Box	1
D	GOBI FRONT ADJUSTABLE SUPPORT BRACKETS PASSENGER AND DRIVER SIDE	Hardware Box	2
E	GOBI MIDDLE ADJUSTABLE SUPPORT BRACKETS PASSENGER AND DRIVER SIDE	Hardware Box	2
F	GOBI REAR ADJUSTABLE SUPPORT BRACKETS PASSENGER AND DRIVER SIDE	Hardware Box	2
G	GOBI RACK MOUNTING HARDWARE CONTENTS: 12- M-6 x 25 Button head SS 12- 1" Neoprene washer SS 12- 1/4" Lock waseher SS 1- M-4 Metric Allen wrench	BAG #3 Hardware Box	1
H	GOBI RACK SUPPORT BRACKET HARDWARE CONTENTS: 12- 3/8" x 1" SS Hex Bolt 24- 3/8" SS Flat washers 12- 3/8" Nylock nuts 6- Rubber pads black	BAG #4 Hardware Box	1



GOBI 2010 TOYOTA SEQUOIA ROOF RACK

INSTALLATION INSTRUCTIONS

The rack must be inspected before each use to make certain attachments are secure, and for evidence of Wear. Misuse of the rack or failure to observe the manufacturer's instructions as to installation, proper Attachment and maintenance will void any warranties that may be implied by law.

INSTALLATION INSTRUCTIONS:

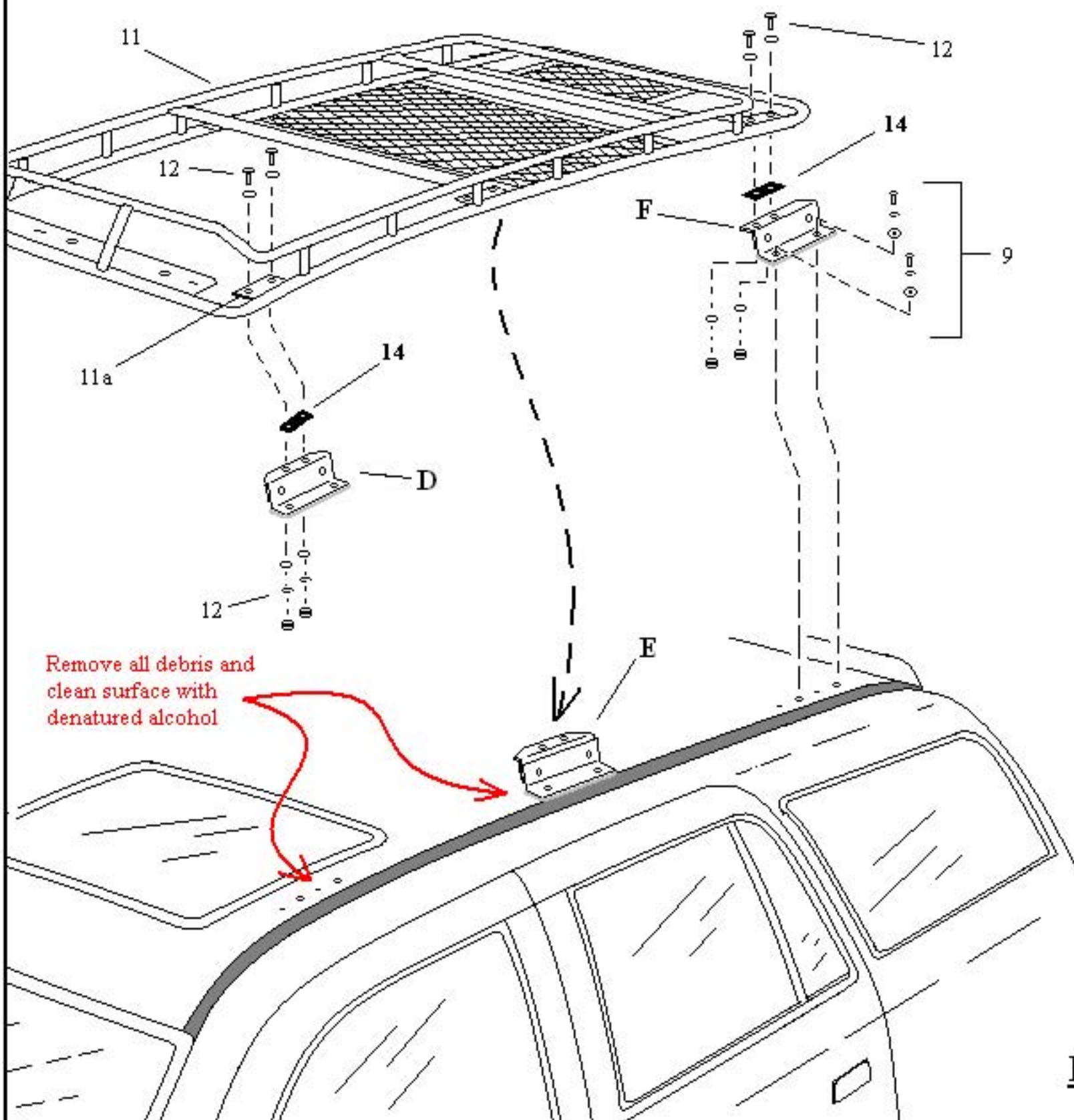
- 1- Refer to hardware list on page 2 and verify that all hardware is present prior to installation.
- 2- Refer to page 5 and remove the Original Equipment Manufactured roof rack from your vehicle if present. A T-30 Torx wrench is needed to remove the bracket screws.
- 3- Refer to page 5 Fig. 1 after you have removed the OEM roof rack from your vehicle use denatured alcohol to clean all debris and dirt from the vehicle roof top where the Original Roof Rack had been resting. Be sure to remove the dirt and debris from all 6 mounting points.
- 4- Refer to page 2 remove support brackets (D), (E) and (F) from your hardware kit.
- 5- Refer to page 5 Fig. 1 and place support brackets (D) on the vehicle roof top next to the front mounting points, support brackets (E) next to the center mounting points and support brackets (F) next to the rear mounting points of the your vehicle roof top. Pay close attention that the center and rear support brackets as they are marked for designated positions. Example: The center brackets are marked with "CD" for Center Driver side and "CP" for Center Passenger side. The rear support brackets are marked with "R-D" for Rear Drivers side and "R-P" for Rear Passenger side. Do not install at this time.
- 6- Refer to page 2 and remove all M-6 metric mounting screws, lock washers and water proof neoprene Stainless washers from Bag #3 of your hardware kit. Refer to page 5 Fig. 1 and install support bracket (F) marked "RD" Rear Driver side using the M-6 metric screws, lock washer and neoprene water proof washer (9) as shown on Fig. 1 and mount support bracket to roof top. Continue installing the remaining support brackets to vehicle roof top. Brackets "D" or front mounting brackets are identical both driver and passenger sides. Do not fully tighten support bracket mounting screws, leave snug only at this time.
- 7- Refer to page 6 Fig. 3 and make certain that carriage bolts (10) are left snug so that adjustments in height can be made during installation without having to loosen screws.
- 8- Refer to page 5 Fig. 1 once all support brackets have been installed use two or more persons and carefully place roof rack (11) over top of all support brackets as shown. Use 3/8-16 screws, washers and nuts (12) located in Bag #4 of your hardware kit. Be sure to place rubber pad (14) between roof rack flanges (11a) and support brackets as shown in Fig. 1. Finger tighten all screws (12) do not fully tighten at this time.
- 9- Refer to page 5 Fig. 1 and fully tighten all support brackets (D), (E) and (F) to the vehicle roof top using the M-4 metric Allen wrench supplied in your hardware Bag #3.
- 10- Refer to page 5 Fig. 1 and fully tighten all 3/8-16 screws, washers and nuts (12) so that roof rack is secured to support brackets (D), (E) and (F). While tightening the 3/8-16 screws, washers and nuts (12) adjust all support brackets (D), (E) and (F) up or down to conform to the roof racks natural position as shown in Fig. 3 (H). After all screws, washer and nuts (12) have been fully tightened follow by fully tightening all carriage bolts (10) shown on Fig. 3 page 6 to all 6 support brackets (D), (E) and (F).

GOBI 2010 TOYOTA SEQUOIA ROOF RACK INSTALLATION INSTRUCTIONS

The rack must be inspected before each use to make certain attachments are secure, and for evidence of Wear. Misuse of the rack or failure to observe the manufacturer's instructions as to installation, proper Attachment and maintenance will void any warranties that may be implied by law.

INSTALLATION INSTRUCTIONS CONTINUED:

- 11- Refer to page 7 Fig. 4 fairing comes pre-assembled with fairing brackets (4) attached. The position of each fairing bracket may not be fixed at the proper height for your particular roof line. Adjustments may have to be made in order for the fairing to conform correctly to your vehicle's roof line. Begin by attaching the fairing's center bracket to the middle slot (5a) of the Gobi roof rack light bar (5) shown in Fig. 4. Use the Stainless ¼" button head screws, flat black nylon washers and ¼" Nylock nut supplied in Bag #2 of your hardware kit. Provide approximately a 2" gap between the fairing and the Gobi rack outer tube as shown in Fig. 5a. Tighten down the center screw and nut at this time. Proceed to either the passenger or driver side and pull the fairing in the direction of the arrow in Fig. 5 letter (F) and (G) while pushing down on the fairing towards the roof top at the same time. Pull each side towards the roof rack until fairing either makes contact with or comes in close proximity to the Gobi rack. Align fairing bracket (4) to the Gobi light bar fairing slots at the end of the Gobi light bar (5) and secure the fairing in place with a ¼" button head screw, black nylon washers and Nylock nut. Proceed to the opposite side and continue attaching the fairing in the same manner. Be certain that the fairing throughout its length is making contact with the roof top as snug as possible. Fairing brackets may need to be adjusted either up or down and in some cases you may bend the fairing bracket to accommodate the final result. Once the fairing is in the proper position which is in a bowed configuration tighten all fairing brackets screws firmly. Roof rack installation is complete.

**GOBI 2010 TOYOTA SEQUOIA ROOF RACK
INSTALLATION INSTRUCTIONS**

GOBI 2010 TOYOTA SEQUOIA ROOF RACK INSTALLATION INSTRUCTIONS

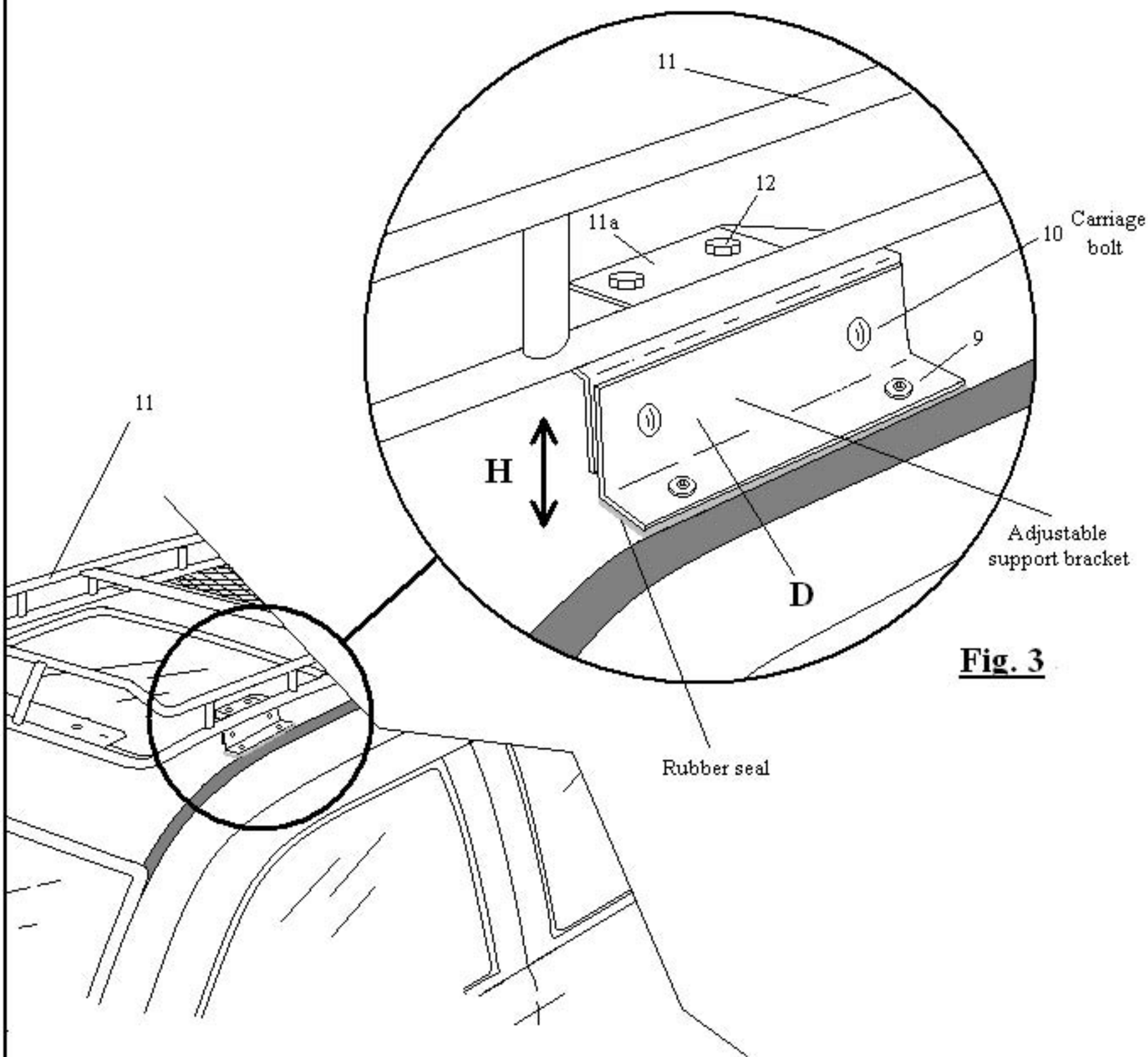


Fig. 3

Fig. 2

GOBI 2010 TOYOTA SEQUOIA ROOF RACK INSTALLATION INSTRUCTIONS

