

GOBI 2001-07 1ST GEN TOYOTA SEQUOIA ROOF RACK INSTALLATION INSTRUCTIONS

Guidelines:

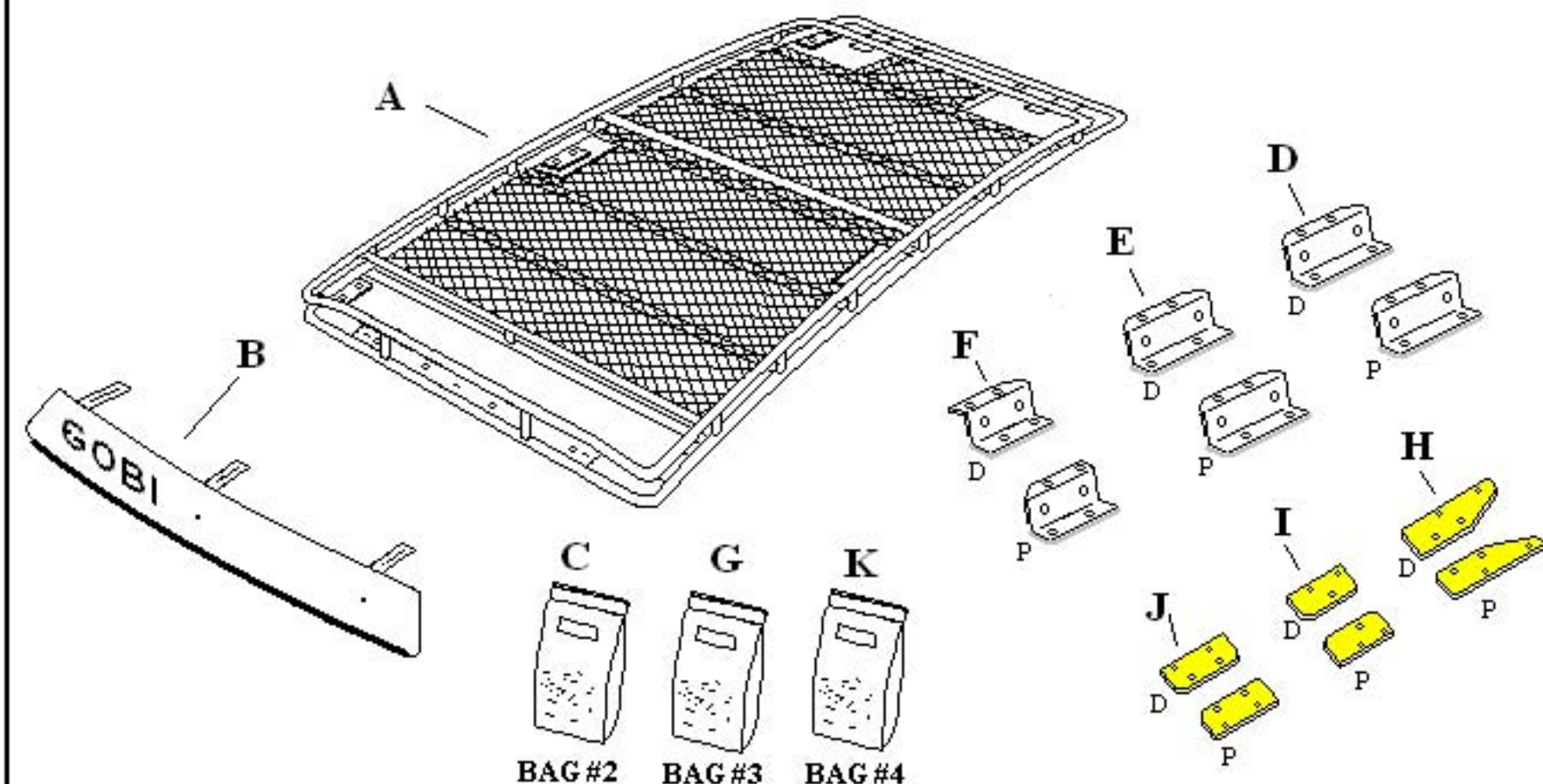
When using Load Carriers and Accessories, the user must understand the precautions. The points listed below will assist you in using the rack /carrier system and will encourage safety.

- For quality fits and safety, use only the recommended rack or accessory. Do not assume an accessory will fit, always check with dealer when obtaining new accessories. Use only approved accessories on load carriers. Using other brands will void your warranty.
- Make sure all knobs, bolts, screws, straps, and locks are firmly attached, tightened and locked before every trip. Knobs, bolts, screws, straps, and locks must be periodically inspected for signs of wear, corrosion, and fatigue. Check your load at stops during the trip to insure continued fastening security.
- Check local and state laws governing projection of objects beyond the width of a vehicle. **Be aware of the width and height of your cargo since low clearance branches, bridges, and parking garages can affect the load** All cargo will affect the vehicle's driving behavior. Never drive with any lock, knob, or rack in an open or unlocked position. All long loads such as, but not limited to sailboards, surfboards, kayaks, canoes, and lumber must be tied down front and rear to the bumpers or tow hooks, of the vehicle.
- Remove your rack accessories when they are not in use, before entering car washes, prior to taking in your vehicle for service, and whenever clearance may be an issue.
- All locks must be turned and moved periodically to insure smooth operation. Use graphite or similar dry lubricant to help this. Locks are designed to deter vandalism and theft. Remove valuable gear if your vehicle is unattended for an extended period. Place at least one key in the glove compartment.
- For safety to your vehicle and rack system, obey all posted speed limits and traffic cautions. Adapt your speed to the conditions of the road and the load being carried.
- Do not use load carriers and accessories for purposes other than those for which they were designed. Do not exceed their carrying capacity.
- Consult with your dealer if you have any questions regarding the operations and limits of this product. Review all instructions carefully.

GOBI 2001-07 1ST GEN TOYOTA SEQUOIA ROOF RACK INSTALLATION INSTRUCTIONS

Included in kit

Letter	Description	Location	Quantity
A	GOBI TOYOTA SEQUOIA ROOF RACK	Main box	1
B	WIND DEFLECTOR	Pre-assembled	1
C	WIND DEFLECTOR HARDWARE <u>CONTENTS:</u> 3-1/4-20 x 3/4" SS Button head screw 6- 1/4" Black nylon washer 3- 1/4" Bright zinc nylock nut	BAG #2 HARDWARE BOX	1
D E F	GOBI FRONT ADJUSTABLE SUPPORT BRACKETS PASS AND DRIVER GOBI CENTER ADJUSTABLE SUPPORT BRACKETS PASS AND DRIVER GOBI REAR ADJUSTABLE SUPPORT BRACKETS PASS AND DRIVER	HARDWARE BOX	2 EA.
G	GOBI ADJUSTABLE SUPPORT BRACKET MOUNTING HARDWARE <u>CONTENTS:</u> 12- 5/16-18 x 1/2" SS Button head screw 12- 3/8-16 x 1" SS Hex head screw 12- 5/16" SS flat washer 24-3/8" SS Flat washer 12- 5/16" SS lock washer 12- 3/8" Grade 8 yellow nylock nut 1- 3/16" Short Allen wrench 6- Black rubber pads	BAG #3 HARDWARE BOX	1 EA.
H I J	GOBI FRONT SUPPORT MOUNTING PLATE (H) PASS AND DRIVER SIDE GOBI CENTER SUPPORT MOUNTING PLATE (I) PASS AND DRIVER SIDE GOBI REAR SUPPORT MOUNTING PLATE (J) PASS AND DRIVER SIDE	HARDWARE BOX	2 EA.
K	GOBI MOUNTING PLATE HARDWARE <u>CONTENTS:</u> 10- M6 x 25mm SS Button head screw 10- 1/4" SS lock washers 10- 1" x 1/4" I.D. Neoprene SS washers 1- M-4 Metric Allen wrench	BAG #4 HARDWARE BOX	1 EA.



GOBI 2001-07 1ST GEN TOYOTA SEQUOIA ROOF RACK

INSTALLATION INSTRUCTIONS

The rack must be inspected before each use to make certain attachments are secure, and for evidence of Wear. Misuse of the rack or failure to observe the manufacturer's instructions as to installation, proper Attachment and maintenance will void any warranties that may be implied by law.

INSTALLATION INSTRUCTIONS:

- 1- Refer to hardware list on page 2 and verify that all hardware is present prior to installation.
- 2- Remove the Original Equipment Manufactured roof rack from your vehicle if present. Use a T-30 Torx wrench to remove the OEM rack screws.
- 3- Refer to page 5 Fig. 1 after you have removed the OEM roof rack from your vehicle use denatured alcohol to clean all debris and dirt from the vehicle roof top where the original roof rack had been resting. Be sure to remove the dirt from all 6 mounting points.
- 4- Refer to page 2 and remove 2 each mounting plates (H), (I) and (J) from your hardware kit.
- 5- Refer to page 5 Fig. 1 and place mounting plate (J) with a stamped letter (D) indicating driver side and (R) indicating rear position and install as shown in Fig 1 using 2- 6mm Allen head screws, lock washers and neoprene water proof washers (9a) located in Bag #4 of your hardware kit to the rear driver side of the vehicle roof top. Install the remaining mounting plates (I) and (H) as shown in Fig. 1 with the corresponding letters (C) indicating center and (F) indicating front and (D) indicating driver side and mount on the driver side as shown. Repeat the same procedure and install the passenger side mounting plates. Fully tighten all screws at this time.
- 6- Refer to page 2 and remove from your hardware box 2 each adjustable support brackets (D), (E) and (F) then refer to page 5 Fig. 1. Pay close attention to the center and rear support brackets as they are marked for designated positions. Example: the center adjustable brackets are stamped with (CD) indicating center driver side and (CP) indicating center passenger side. The rear adjustable support brackets are stamped with (RD) indicating rear driver side and (RP) indicating rear passenger side. The front adjustable support brackets (D) are identical place all adjustable support brackets in their designated positions above each mounting plate recently installed on the roof top.
- 7- Refer to the hardware kit on page 2 and remove from Bag #3 12 - 5/16-18 x 1/2" SS button head Allen screws, 12 - 5/16" SS lock washers, 12 - 5/16" SS flat washers and 1 - 3/16" short Allen wrench. Refer to page 5 Fig. 1 and attach adjustable support bracket (F) onto support plate (J) using 2 - 5/16-18 x 1/2" SS button head Allen screws, 2 - 5/16" SS lock washers and 2 - 5/16" SS flat washers and secure in place using the 3/16" short Allen wrench. Continue installing the remaining adjustable support brackets to vehicle roof top. Adjustable support brackets (D) are identical both driver and passenger sides. Do not fully tighten mounting screws, leave snug only at this time.
- 8- Refer to page 6 Fig. 3 and make certain that carriage bolts (10) are left loose or snug so that adjustments in height can be made during installation.
- 9- Refer to page 5 Fig. 1 once all support brackets have been installed use two or more persons and carefully place the Gobi roof rack (11) over the top of all support brackets as shown. Use the 3/8-16 x 1" screws, washers and nuts (12) located in Bag #3 of your hardware kit. Be sure to place rubber pad (14) between roof rack flanges (11a) and support brackets as shown in Fig. 1. Finger tighten all screws (12) do not fully tighten at this time.

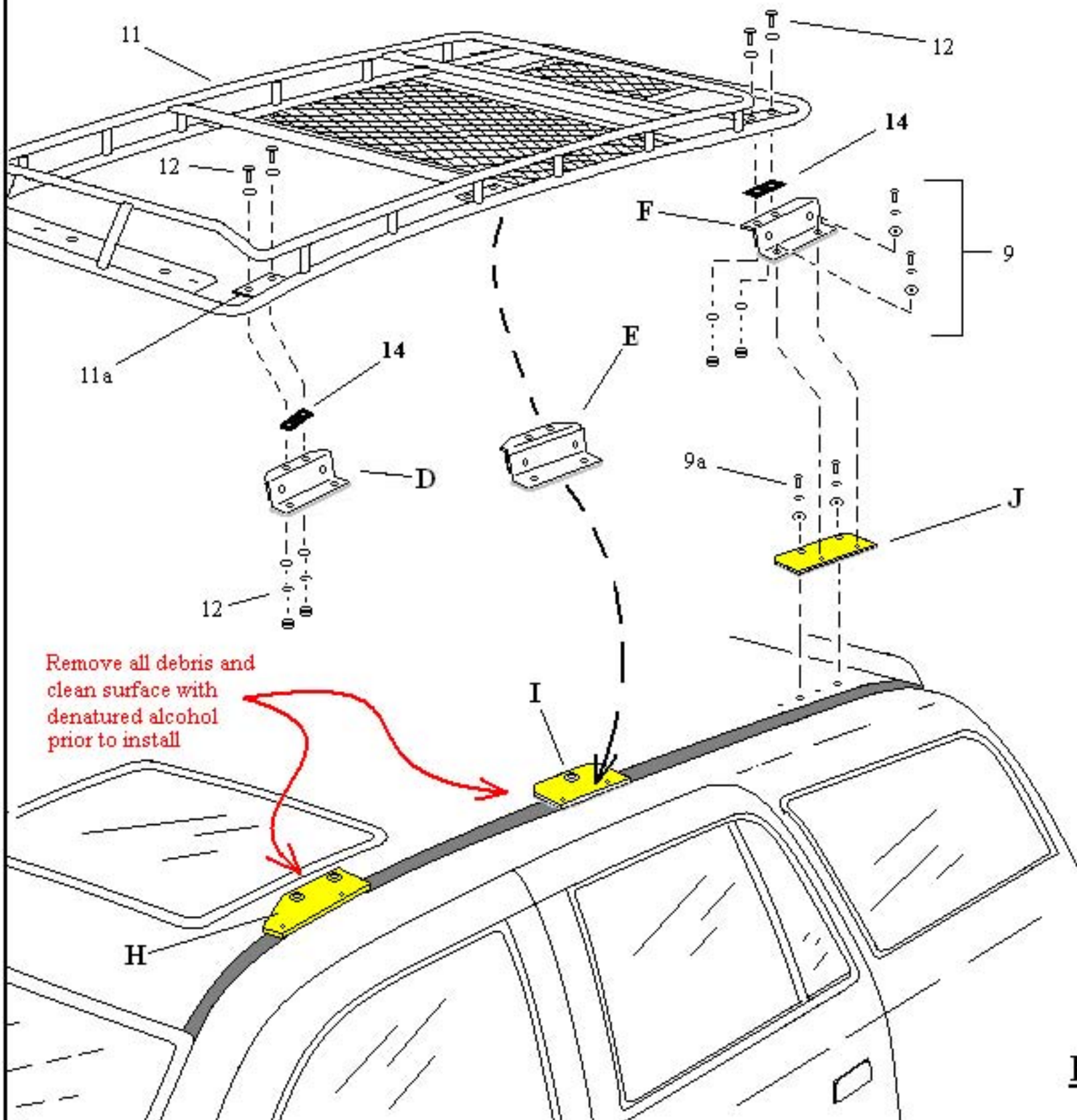
GOBI 2001-07 1ST GEN TOYOTA SEQUOIA ROOF RACK INSTALLATION INSTRUCTIONS

The rack must be inspected before each use to make certain attachments are secure, and for evidence of Wear. Misuse of the rack or failure to observe the manufacturer's instructions as to installation, proper Attachment and maintenance will void any warranties that may be implied by law.

INSTALLATION INSTRUCTIONS CONTINUED:

- 10- Refer to page 5 Fig. 1 make sure roof rack is in line with roof top then fully tighten all support brackets (D), (E) and (F) to the mounting plates (H), (I) and (J) using the 3/16" Allen wrench from your hardware kit.
- 11- Refer to page 5 Fig. 1 and fully tighten all 3/8-16 x 1" hex screws, washers and nuts (12) so that roof rack is secured to support brackets (D), (E) and (F).
- 12- Refer to page 5 Fig. 1 and page 6 Fig. 3 position roof rack so that it appears level with vehicle roof top by tilting the roof rack up or down at the front adjustable support bracket (D) when the roof rack appears level and even at the front and rear with vehicle roof top fully tighten all carriage bolts (10) on all adjustable support brackets as illustrated on page 6 Fig. 3.
- 13- Refer to page 7 Fig. 4 wind deflector (2) comes pre-assembled with wind deflector brackets (4) attached. The position of each wind deflector bracket may not be fixed at the proper height for your particular roof line. Adjustments may have to be made in order for the wind deflector to conform correctly to your vehicle's roof line. Begin by attaching the wind deflector's center bracket to the middle slot (5a) of the Gobi roof rack light bar (5) shown in Fig. 4. Use the stainless 1/4" button head screws, flat black nylon washers and 1/4" nut supplied in Bag #2 of the hardware kit. Provide approximately a 2" gap between the wind deflector and the Gobi rack outer tube as shown in Fig. 5a. Tighten down the center screw and nut at this time. Continue to either the passenger or driver side and pull the wind deflector in the direction of the arrow in Fig. 5 letter (F) and (G) while pushing down on the wind deflector towards the roof top at this time. The wind deflector bracket may appear to be on a slight angle with the top of the Gobi light bar but this is normal and will flatten out as you continue the installation. Align wind deflector bracket (4) to the Gobi light bar wind deflector slots at the end of the Gobi light bar (5) and secure the wind deflector in place with a 1/4" button head screw, 2- black nylon washers and nylock nut. Proceed to the opposite side and continue attaching the wind deflector in the same manner. Be certain that the wind deflector throughout its length is making contact with the roof top as snug as possible. Wind deflector brackets may need to be adjusted either up or down and in some cases you may bend the wind deflector bracket to accommodate the final result. Once the wind deflector is in the proper position which is a bowed configuration tighten all wind deflector bracket screws firmly. Roof rack installation is completed.

GOBI 2001-07 1ST GEN TOYOTA SEQUOIA ROOF RACK INSTALLATION INSTRUCTIONS



GOBI 2001-07 1ST GEN TOYOTA SEQUOIA ROOF RACK

INSTALLATION INSTRUCTIONS

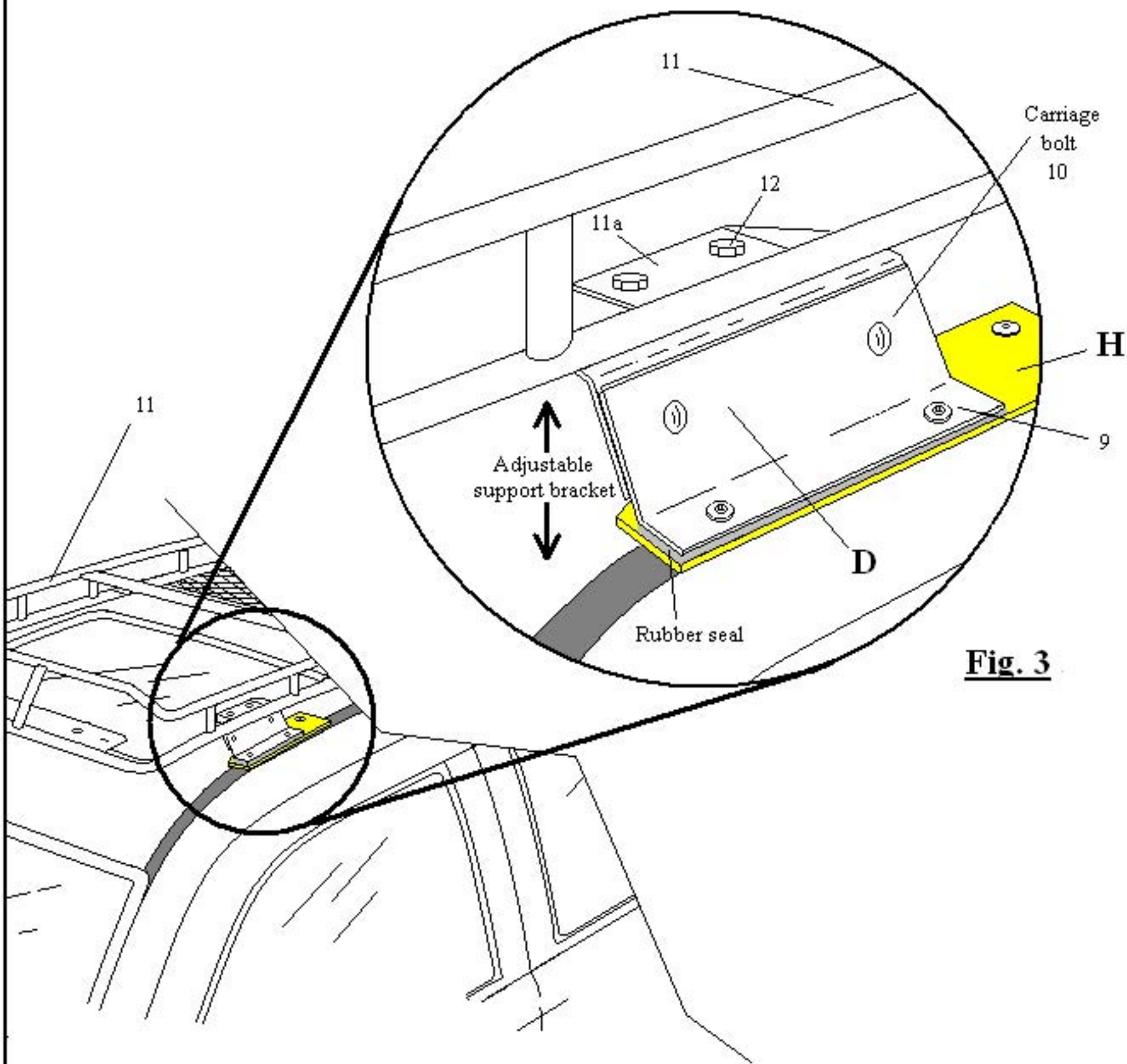


Fig. 3

Fig. 2

GOBI 2001-07 1ST GEN TOYOTA SEQUOIA ROOF RACK INSTALLATION INSTRUCTIONS

