

GOBI TOYOTA LAND CRUISER 60-62 RANGER ROOF RACK INSTALLATION INSTRUCTIONS

Guidelines:

When using Load Carriers and Accessories, the user must understand the precautions. The points listed below will assist you in using the rack /carrier system and will encourage safety.

- For quality fits and safety, use only the recommended rack or accessory. Do not assume an accessory will fit, always check with dealer when obtaining new accessories. Use only approved accessories on load carriers. Using other brands will void your warranty.
- Make sure all knobs, bolts, screws, straps, and locks are firmly attached, tightened and locked before every trip. Knobs, bolts, screws, straps, and locks must be periodically inspected for signs of wear, corrosion, and fatigue. Check your load at stops during the trip to insure continued fastening security.
- Check local and state laws governing projection of objects beyond the width of a vehicle. **Be aware of the width and height of your cargo since low clearance branches, bridges, and parking garages can affect the load** All cargo will affect the vehicle's driving behavior. Never drive with any lock, knob, or rack in an open or unlocked position. All long loads such as, but not limited to sailboards, surfboards, kayaks, canoes, and lumber must be tied down front and rear to the bumpers or tow hooks, of the vehicle.
- Remove your rack accessories when they are not in use, before entering car washes, prior to taking in your vehicle for service, and whenever clearance may be an issue.
- All locks must be turned and moved periodically to insure smooth operation. Use graphite or similar dry lubricant to help this. Locks are designed to deter vandalism and theft. Remove valuable gear if your vehicle is unattended for an extended period. Place at least one key in the glove compartment.
- For safety to your vehicle and rack system, obey all posted speed limits and traffic cautions. Adapt your speed to the conditions of the road and the load being carried.
- Do not use load carriers and accessories for purposes other than those for which they were designed. Do not exceed their carrying capacity.
- Consult with your dealer if you have any questions regarding the operations and limits of this product. Review all instructions carefully.

GOBI TOYOTA LAND CRUISER 60-62 RANGER ROOF RACK INSTALLATION INSTRUCTIONS

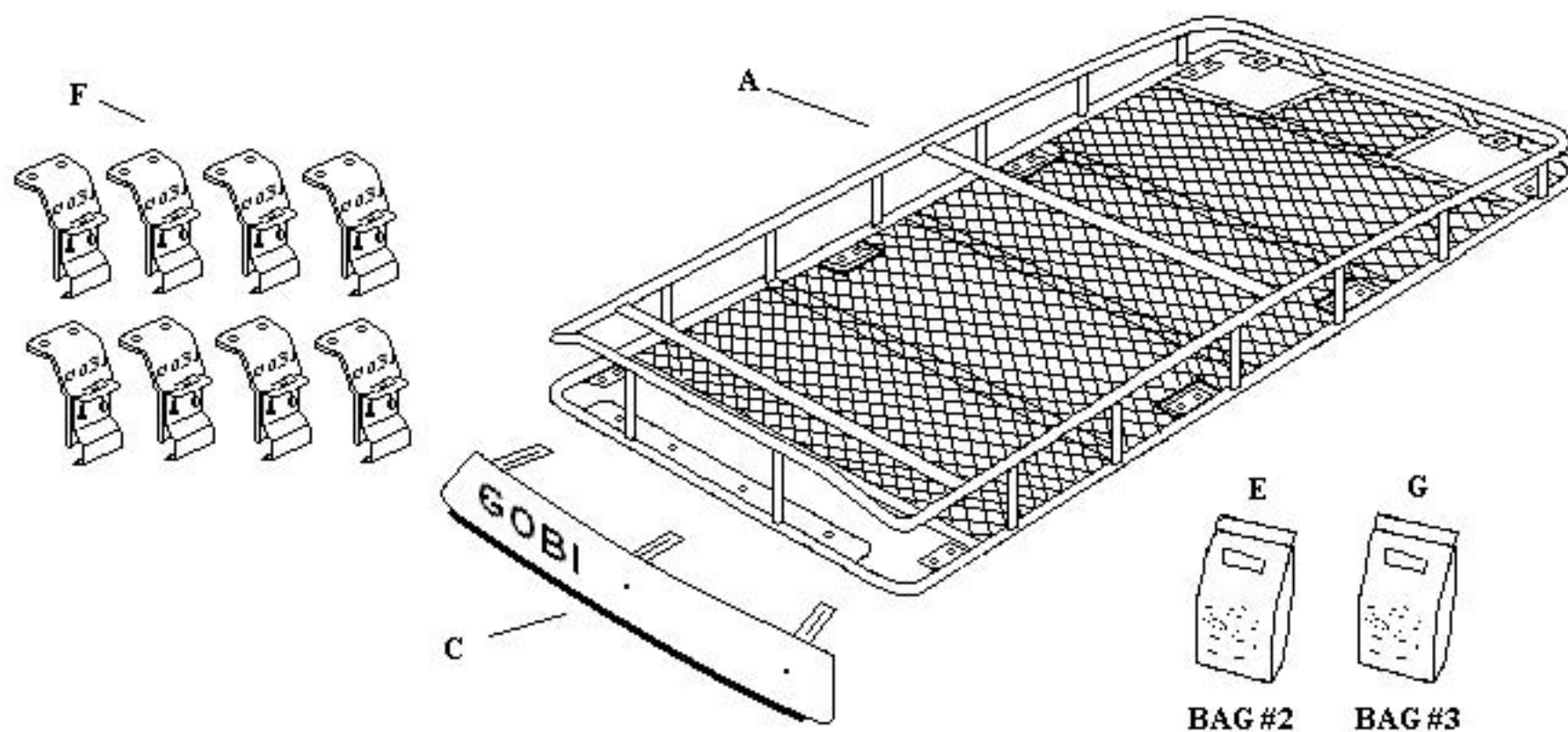
Tools Required:

- 1- 5/32" Allen Wrench
- 1- 7/16" Open and Boxed end Wrench
- 1- 1/2" Open and Boxed end Wrench
- 2- 9/16" Boxed end Wrench

GOBI TOYOTA LAND CRUISER 60-62 RANGER ROOF RACK INSTALLATION INSTRUCTIONS

Included in kit

Letter	Description	Location	Quantity
A	GOBI TOYOTA LAND CRUISER 60-62 ROOF RACK	Main box	1
B	FAIRING RUBBER PROTECTIVE STRIP	pre-assembled	1
C	FAIRING	banded to rack	1
D	FAIRING BRACKETS (pre-assembled to fairing)	pre-assembled	3
E	FAIRING BRACKET HARDWARE CONTENTS: 3- 1/4-20x 5/8" SS Button head screw 6- 1/4" Black nylon washer 3- 1/4-20 Nylok nut	BAG #2 Hardware Box	1
F	GOBI SUPPORT BRACKETS	Hardware Box	8
G	GOBI SUPPORT BRACKET HARDWARE CONTENTS: 16- 3/8-16x1 stainless steel hex bolt 32- 3/8" stainless steel washer 16- 3/8" Nylock nuts 8- rubber pad black	BAG #3 Hardware Box	1



GOBI TOYOTA LAND CRUISER 60-62 RANGER ROOF RACK INSTALLATION INSTRUCTIONS

INSTALLATION INSTRUCTIONS:

- 1- Refer to page 3 and make sure all hardware is present prior to install
- 2- Read all instructions carefully prior to install.
- 3- Refer to page 3 remove all support brackets "F" from the hardware box and attach as shown on page 6 Fig. 1 to each flange #11 of the roof rack using the 3/8-16 screws, flat washers, lock washers and nuts located in Bag #3 of your hardware kit. Be sure to place rubber pad (7) between roof rack flange (11) and support bracket "F". Snug down only at this time.
- 4- Refer to page 6 Fig. 2 and fully loosen screws (9a) and (9) then with the help of two to three more persons lift the roof rack onto the vehicle gutter (12) as shown in Fig. 3. Make sure as you set the support brackets "F" into the vehicle gutter (12) that you move pinch plates (9) out from the inside of the gutter. Only support bracket "F" must rest onto the gutter shelf as shown in Fig. 2. Position the rear of the roof rack approximately 10 1/2" (27m) from the rear of the vehicle gutter as shown in Fig. 3. After the roof rack is resting properly in the vehicle's gutter (12) position pinch plate (6) so that it wraps around the underside of the gutter lip (12a) as shown in Fig. 2. Then snug down screws (9) and tighten screw (9a) to pull up pinch plate (6) against the underside of gutter lip (12a) as shown in Fig. 2. Once pinch plate (6) has been tightened to prevent upwards movement of the roof rack fully tighten screws (9) to prevent any movement of the pinch plate and roof rack during transport. Continue the same procedure to the other seven support brackets "F". After all screws (9) have been tightened go back and retighten all screws (9a) to prevent loosening during use.
- 5- Refer to page 6 Fig. 1 and completely tighten all screws, flat washers, lock washers and nuts (11) to securely anchor roof rack "A" to Gobi support brackets "F" as shown.

GOBI TOYOTA LAND CRUISER 60-62 RANGER ROOF RACK INSTALLATION INSTRUCTIONS

INSTALLATION INSTRUCTIONS CONT.

- 6- Refer to page 7 #2 Fairing comes preassembled with fairing brackets #4 attached. The position of each attached fairing bracket may not be fixed at the proper height for your particular roof line. Adjustments may have to be made in order for the fairing to conform correctly to your vehicle's roof line. Begin by attaching the fairing's center bracket #4 to the middle slot #5a of the Gobi roof racks light bar #5 shown on page 7 Fig. 4. Use the 1/4" screws, flat black nylon washers and Nylock nuts located in Bag #2 of your hardware kit. Provide approximately a 2" gap between the fairing and the Gobi rack outer tube as shown on page 7 Fig. 5b. Tighten down the center nut and screw at this time. Proceed to either the passenger or drivers side and pull the fairing in the direction of the arrows on page 7 Fig. 5 letters "F" and "G" while pushing down on the fairing towards the vehicle roof top at the same time. Pull each side until the fairing either makes contact with the Gobi roof rack or comes in close proximity. Align fairing brackets #6 to the Gobi light bar fairing slots at the ends of the Gobi light bar #5 (*fairing brackets may appear to be slightly tilted against the light bar but this is normal and brackets will flatten out after tightening*) and insert the 1/4" screw and flat black nylon washer through fairing bracket #6 then through the Gobi light bar slot and secure the fairing in place with the 1/4" black nylon washer and Nylock nut. Proceed to the opposite side and continue attaching the fairing in the same manner. Be sure that the fairing throughout its length is making contact with the roof top as snug as possible. Fairing brackets may need to be adjusted either up or down and in some cases you may bend the fairing bracket to accommodate the final result. Once the fairing is in the proper position tighten all fairing bracket screws firmly. Roof rack installation is complete.

GOBI TOYOTA LAND CRUISER 60-62 RANGER ROOF RACK INSTALLATION INSTRUCTIONS

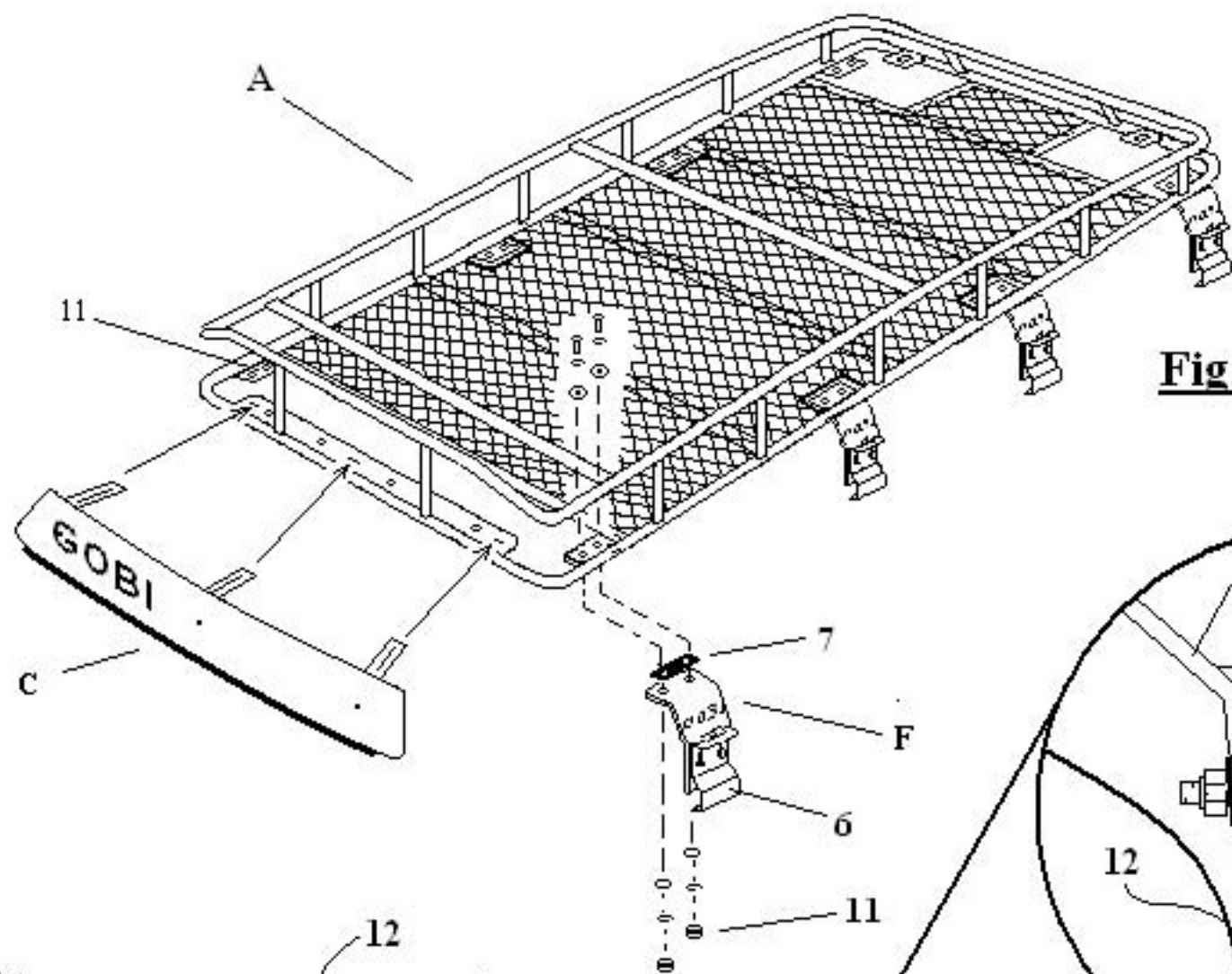


Fig. 1

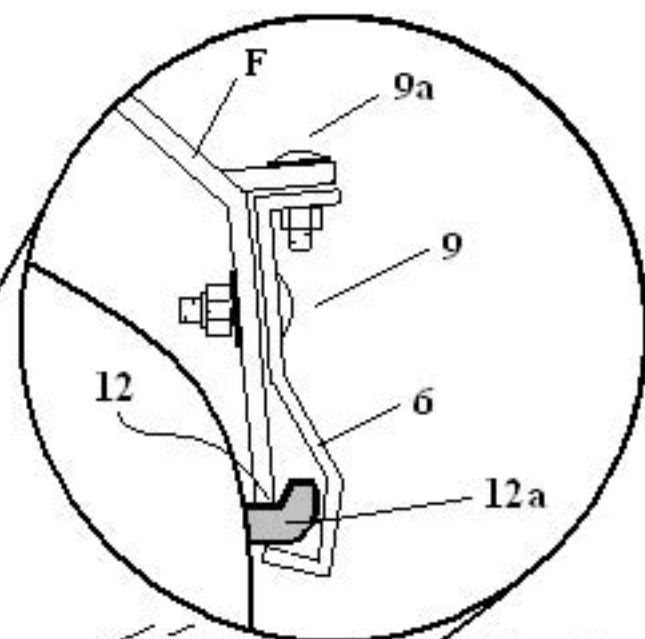


Fig. 2

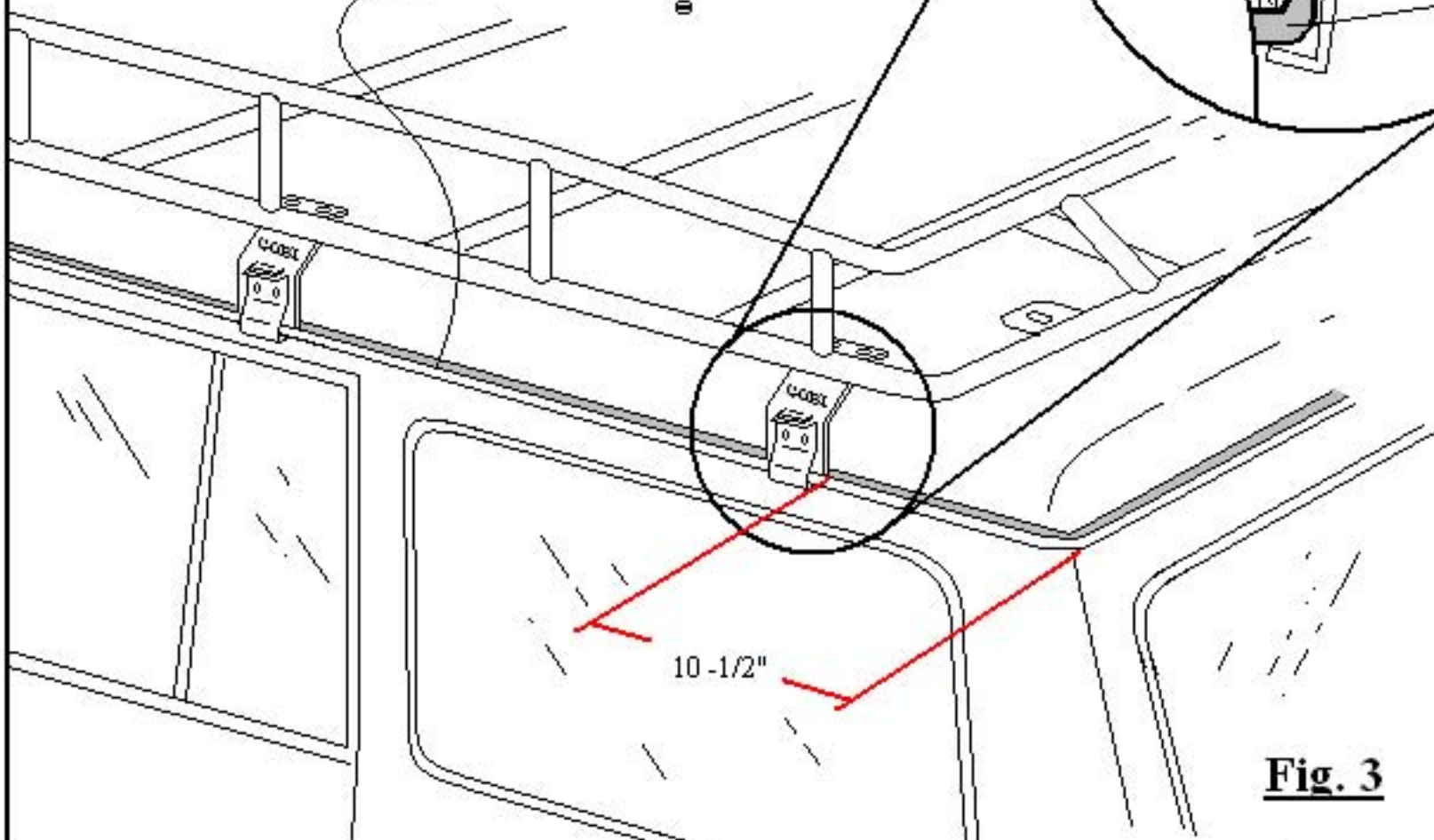


Fig. 3

GOBI TOYOTA LAND CRUISER 60-62 RANGER ROOF RACK INSTALLATION INSTRUCTIONS

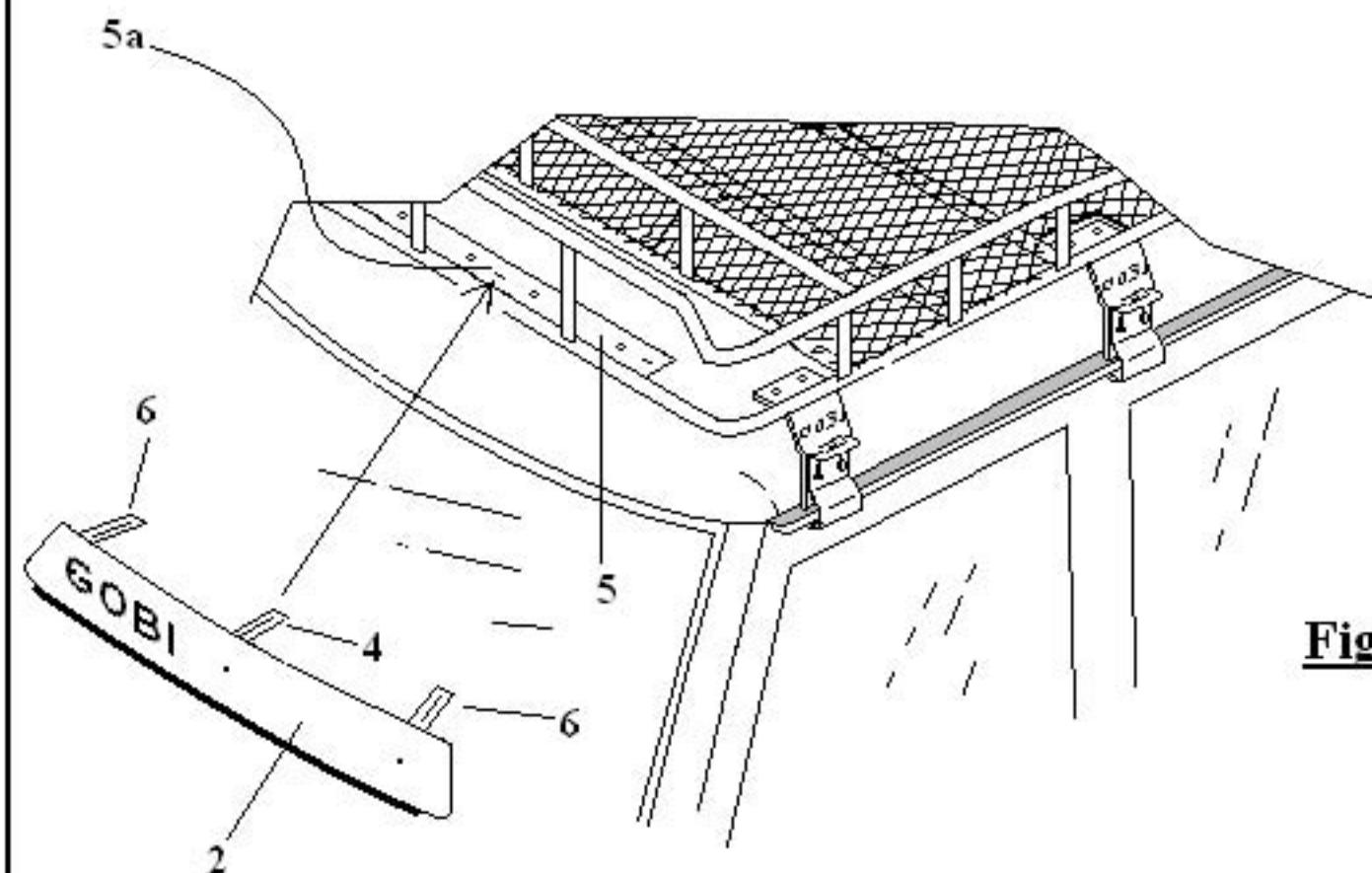


Fig. 4

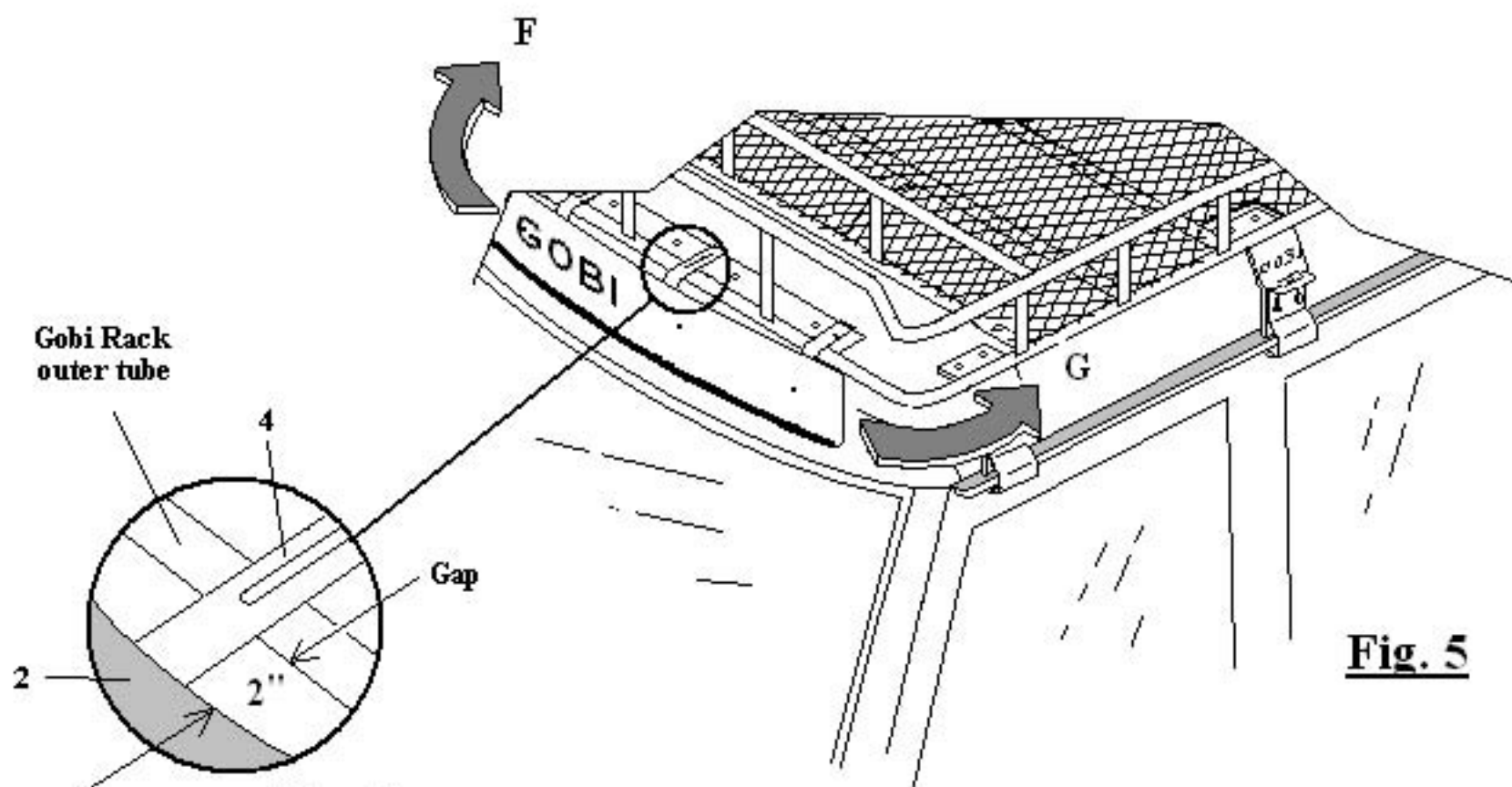


Fig. 5

Fig. 5b