

GOBI TOYOTA LAND CRUISER 100 SERIES ROOF RACK INSTALLATION INSTRUCTIONS

Guidelines:

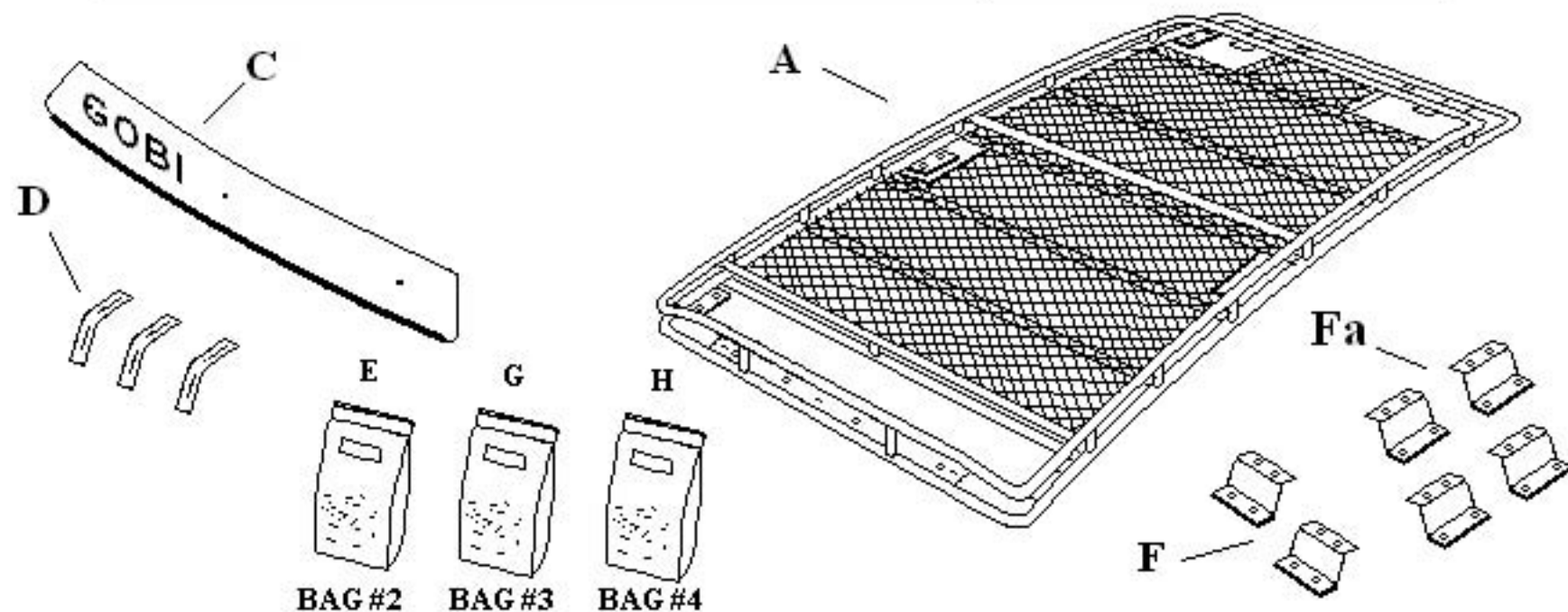
When using Load Carriers and Accessories, the user must understand the precautions. The points listed below will assist you in using the rack /carrier system and will encourage safety.

- For quality fits and safety, use only the recommended rack or accessory. Do not assume an accessory will fit, always check with dealer when obtaining new accessories. Use only approved accessories on load carriers. Using other brands will void your warranty.
- Make sure all knobs, bolts, screws, straps, and locks are firmly attached, tightened and locked before every trip. Knobs, bolts, screws, straps, and locks must be periodically inspected for signs of wear, corrosion, and fatigue. Check your load at stops during the trip to insure continued fastening security.
- Check local and state laws governing projection of objects beyond the width of a vehicle. **Be aware of the width and height of your cargo since low clearance branches, bridges, and parking garages can affect the load** All cargo will affect the vehicle's driving behavior. Never drive with any lock, knob, or rack in an open or unlocked position. All long loads such as, but not limited to sailboards, surfboards, kayaks, canoes, and lumber must be tied down front and rear to the bumpers or tow hooks, of the vehicle.
- Remove your rack accessories when they are not in use, before entering car washes, prior to taking in your vehicle for service, and whenever clearance may be an issue.
- All locks must be turned and moved periodically to insure smooth operation. Use graphite or similar dry lubricant to help this. Locks are designed to deter vandalism and theft. Remove valuable gear if your vehicle is unattended for an extended period. Place at least one key in the glove compartment.
- For safety to your vehicle and rack system, obey all posted speed limits and traffic cautions. Adapt your speed to the conditions of the road and the load being carried.
- Do not use load carriers and accessories for purposes other than those for which they were designed. Do not exceed their carrying capacity.
- Consult with your dealer if you have any questions regarding the operations and limits of this product. Review all instructions carefully.

GOBI TOYOTA LAND CRUISER 100 SERIES ROOF RACK INSTALLATION INSTRUCTIONS

Included in kit

Letter	Description	Location	Quantity
A	GOBI LAND CRUISER 100 STEALTH ROOF RACK	Main box	1
B	FAIRING RUBBER PROTECTIVE STRIP	pre-assembled	1
C	FAIRING	banded to rack	1
D	FAIRING BRACKETS (pre-assembled to fairing)	pre-assembled	3
E	FAIRING BRACKET HARDWARE CONTENTS: 3- 1/4-20x3/4" SS Button head screw 6- 1/4" Black nylon washer 3- 1/4-20 Nylok nut	BAG #2 Hardware Box	1
F	GOBI FRONT SUPPORT BRACKETS DRIVER AND PASSENGER SIDE	Hardware Box	2
Fa	GOBI MIDDLE AND REAR SUPPORT BRACKETS	Hardware Box	4
G	GOBI RACK MOUNTING HARDWARE CONTENTS: 6- Cover plates black powder coated 36- Single hole square rubber gaskets 12- 1/2" Nylon spacer washers 12- M8 x 50 Mounting screws SS 12- 5/16" Stainless lock washers 12- 5/16" Stainless water proof washers 1- M-5 Metric allen wrench	BAG #3 Hardware Box	1
H	GOBI RACK SUPPORT BRACKET HARDWARE CONTENTS: 12- 3/8" x 1" SS Hex Bolt 24- 3/8" SS Flat washers 12- 3/8" Nylock nuts 6- Rubber pads black	BAG #4 Hardware Box	1



GOBI TOYOTA LAND CRUISER 100 SERIES ROOF RACK

INSTALLATION INSTRUCTIONS

The rack must be inspected before each use to make certain attachments are secure, and for evidence of Wear. Misuse of the rack or failure to observe the manufacturer's instructions as to installation, proper Attachment and maintenance will void any warranties that may be implied by law.

INSTALLATION INSTRUCTIONS:

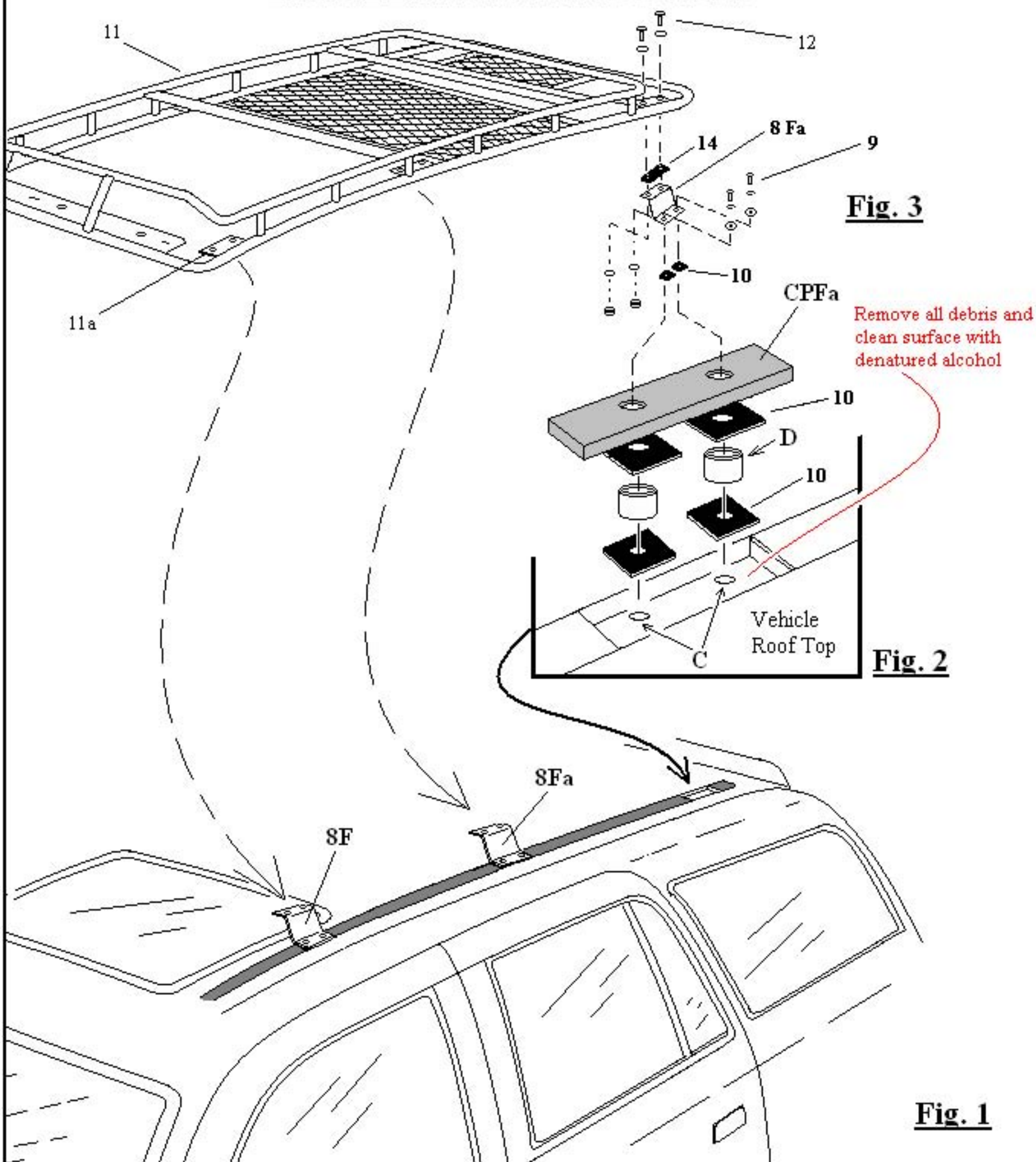
- 1- Refer to the hardware list on page 2 check and verify that all hardware is present prior to installation.
- 2- Refer to page 5 and remove the Original Equipment Manufactured roof rack if present.
- 3- Refer to page 5 Fig. 2 (C) Use denatured alcohol to remove all debris from around the open mounting screw holes from the roof top such as rubber sealant or dirt which may be present after the OEM roof rack has been removed. Be sure to remove the dirt and debris from all 6 roof top anchor points as indicated by Fig. 1 and Fig. 2. Failure to properly clean the roof top areas shown in Fig. 2 may result in water leakage.
- 4- Refer to page 5 Fig. 2 (10) located in Bag #3 of your hardware kit are 36 black single holed square seals or washers (10). Place one rubber seal (10) onto the roof top over and around each mount screw hole (C) as shown on page 5 Fig. 2. Then place two nylon spacers (D) over each of the rubber seals (10) and screw mount holes. Follow by a second set of rubber seals over the two nylon spacers (D). Continue by placing over the top of the rubber seal (10) flat cover plate (CPF a) then one more set of seals (10) and finally support bracket (8F a). Complete the assembly by using two M8x40 SS button head screws, lock washers and water proof washers (9) located in Bag #3 of your hardware kit and thread through support bracket (8F a), seals (10), cover plate (CPF a), second set of seals (10), nylon spacers (D), third set of seals (10) and finally into vehicle roof top mounting holes. Be sure to thread first screw only a quarter of the way down then apply the second screw only a quarter of the way down. Continue back and forth threading each screw into the roof top in this manner as this will prevent the potential of the nut plate under the roof top from dislodging during installation. After both screws are in place snug down only, as the support brackets (8F a) and (8F) will have to be adjusted later. Continue the same procedure to the remaining 5 support brackets (8F a) and (8F) as shown in Fig. 1. Take note that each support bracket has its own cover plate for example the middle and rear support brackets (8F a) have cover plates (CPF a) and the two front mounting brackets (8F) have cover plates (CPF) install cover plates accordingly.
- 5- Refer to page 5 Fig. 3 and page 6 Fig. 5 Using the help of two persons carefully place roof rack (11) onto support brackets (8F a) and (8F) previously installed making sure that the welded in flanges (11 a) of roof rack (11) sit directly onto each support bracket (8F a) and (8F). Use the 3/8" hardware and rubber pads (14) located in Bag #4 of your hardware kit and attach roof rack (11) onto all 6 support brackets. Do not fully tighten snug down only at this time.
- 6- Refer to page 5 Fig. 1 and Fig. 3 using a part of the roof top trim align the passenger and driving side brackets (8F a) and (8F) onto the vehicle. Once aligned fully tighten all screws (9) with the M-5 Allen wrench located in your hardware kit securing support brackets (8F a) and (8F) to the vehicle roof top. Continue by fully tightening all 3/8" hex screws (12) securing the roof rack to all the support brackets (8F a) and (8F).

GOBI TOYOTA LAND CRUISER 100 SERIES ROOF RACK INSTALLATION INSTRUCTIONS

The rack must be inspected before each use to make certain attachments are secure, and for evidence of Wear. Misuse of the rack or failure to observe the manufacturer's instructions as to installation, proper Attachment and maintenance will void any warranties that may be implied by law.

INSTALLATION INSTRUCTIONS CONTINUED:

- 7- Refer to page 6 Fig. 5 #2 fairing; fairing comes pre-assembled with fairing brackets #4 attached. The position of each attached fairing bracket may not be fixed at the proper height for your particular roof line. Adjustments may have to be made in order for the fairing to conform correctly to your vehicle's roof line. Begin by attaching the fairing's center bracket to the middle slot #5a of the Gobi roof rack light bar #5 shown on page 6 Fig 5. Use the 1/4" bolts, flat black nylon washers and 1/4" nylok nuts supplied in Bag #2. Provide approximately a 2" gap between the fairing and the Gobi rack outer tube as shown on page 6 Fig. 6a, tighten down the center nut and screw at this time. Proceed to either the right or left hand side and pull the fairing in the direction of the arrows letters (F) and (G) while pushing down on the fairing towards the roof top at the same time. Pull each side until the fairing either makes contact with Gobi roof rack or comes in close proximity. Align fairing brackets #4 which may be at a slight angle at this time to the Gobi light bar fairing slots at the end of the Gobi light bar #5 and insert the 1/4" screw and washer through fairing bracket #4 then through the Gobi light bar slot and secure the fairing in place with the 1/4" black nylon washer and nylok nut. The fairing bracket once tightened will flatten out and place the fairing in the proper position. Proceed to the opposite side and continue attaching the fairing in the same manner. Be sure that the fairing throughout its length is in contact with the roof top as snug as possible, fairing brackets may need to be adjusted either up or down and in some cases you may bend the fairing bracket to accommodate the final result. Once the fairing is in proper position tighten all fairing brackets screws firmly. Roof rack installation is complete.

GOBI TOYOTA LAND CRUISER 100 SERIES ROOF RACK**INSTALLATION INSTRUCTIONS**

GOBI TOYOTA LAND CRUISER 100 SERIES ROOF RACK INSTALLATION INSTRUCTIONS

