

GOBI 2011 JEEP JK WRANGLER LADDER INSTALLATION INSTRUCTIONS

Guidelines:

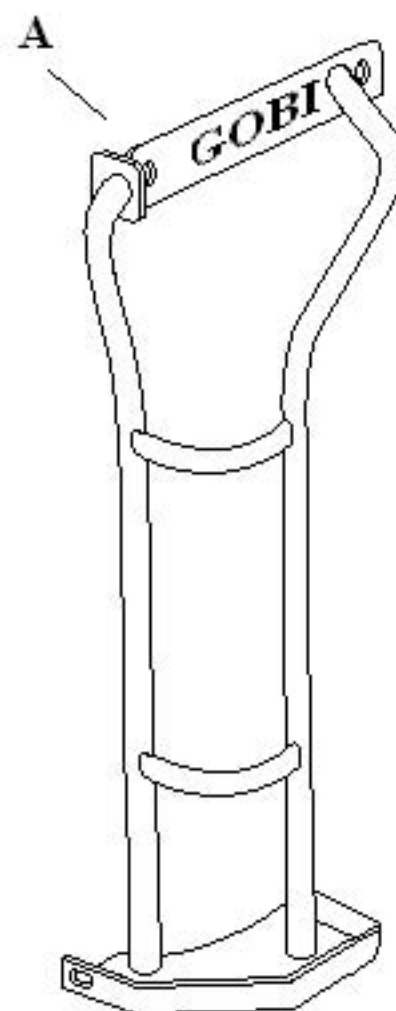
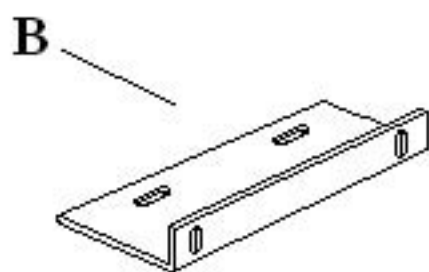
When using Load Carriers and Accessories, the user must understand the precautions. The points listed below will assist you in using the rack /carrier system and will encourage safety.

- For quality fits and safty, use only the recommended rack or accessory. Do not assume an accessory will fit, always check with dealer when obtaining new accessories. Use only approved accessories on load carriers. Using other brands will void your warrenty.
- Make sure all knobs, bolts, screws, straps, and locks are firmly attached, tightened and locked before every trip. Knobs, bolts, screws, straps, and locks must be periodically inspected for signs of wear, corrosion, and fatigue. Check your load at stops during the trip to insure continued fastening security.
- Check local and state laws governing projection of objects beyound the width of a vehicle. **Be aware of the width and height of your cargo since low clearance branches, bridges, and parking garages can affect the load** All cargo will affect the vehicle's driving behavior. Never drive with any lock, know, or rack in an open or unlocked position. All long loads such as, but not limited to sailboards, surfboards, kayaks, canoes, and lumber must be tied down front and rear to the bumpers or tow hooks, of the vehicle.
- Remove your rack accessories when they are not in use, before intering car washes, prior to taking in your vehicle for service, and whenever clearance may be an issue.
- All locks must be turned and moved periodically to insure smooth operation. Use graphite or similar dry lubricant to help this. Locks are designed to deter vandalism and theft. Remove valuable gear if your vehicle is unattended for an extended period. Place at least one key in the glove compartment.
- For safety to your vehicle and rack system, obey all posted speed limits and traffic cautions. Adapt your speed to the conditions of the road and the load being carried.
- Do not use load carriers and accessories for purposes other than those for which they were designed. Do not exceed their carrying capacity.
- Consult with your dealer if you have any questions regarding the operations and limits of this product. Review all instructions carefully.

GOBI 2011 JEEP JK WRANGLER LADDER INSTALLATION INSTRUCTIONS

Included in kit

Letter	Description	Location	Quantity
A	GOBI 08 JK JEEP WRANGLER LADDER	Main box	1
B	HANGER PLATE	Strapped to Ladder	1
C	GOBI LADDER MOUNTING HARDWARE CONTENTS: 4 5/16-18 x 1" SS Button Head Screw 8- 5/16" SS Flat washers 4 5/16" Nylok nuts 1- 3/8-16 x 1" SS Hex Head Bolt 2- 3/8" SS Flat Washer 1- 3/8" Nylok nut 1- 1" Round adhesive backed Brown wear pad	BAG #1 Hardware Box	1



GOBI 2011 JEEP JK WRANGLER LADDER INSTALLATION INSTRUCTIONS

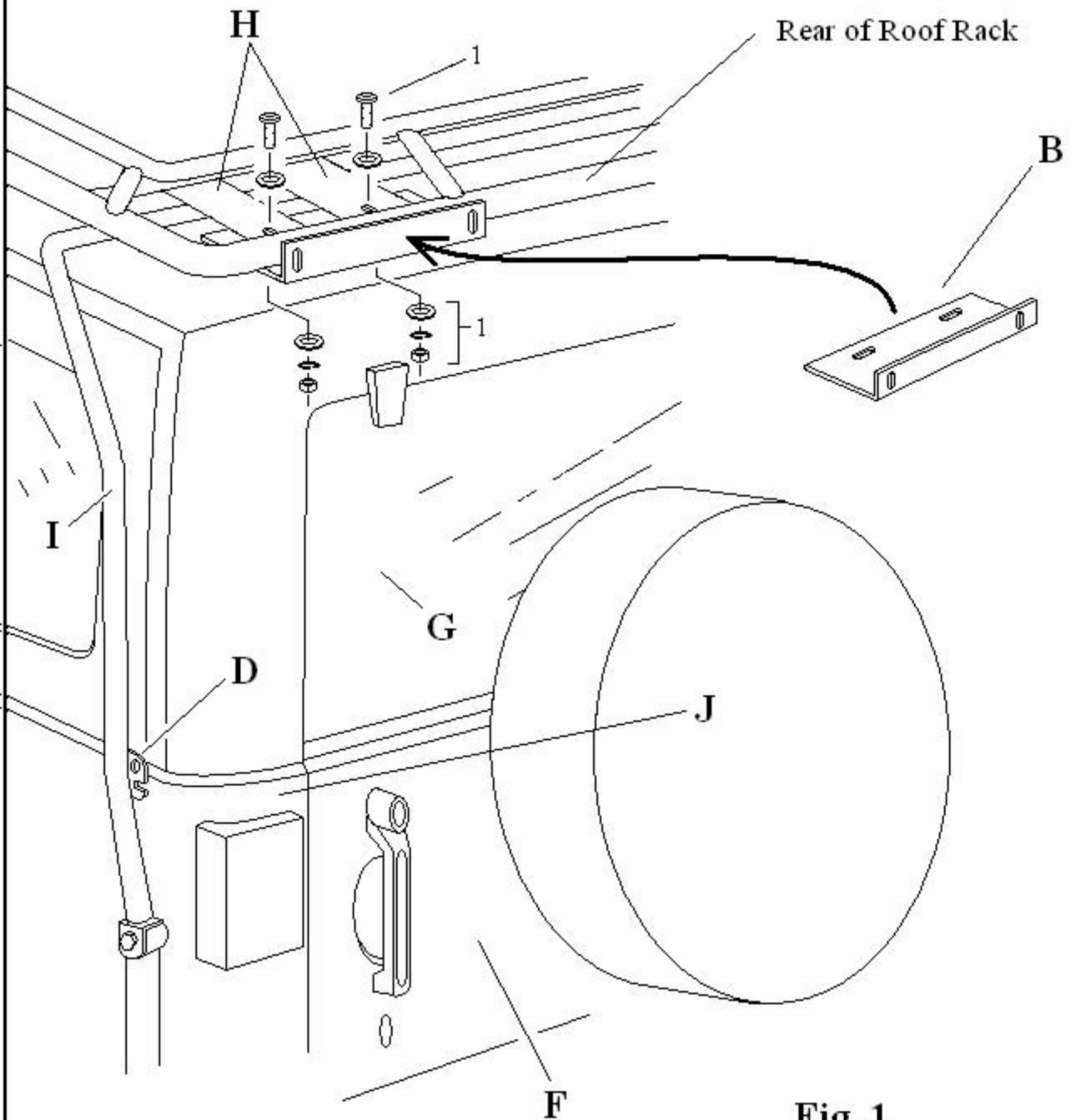


Fig. 1

GOBI 2011 JEEP JK WRANGLER LADDER INSTALLATION INSTRUCTIONS

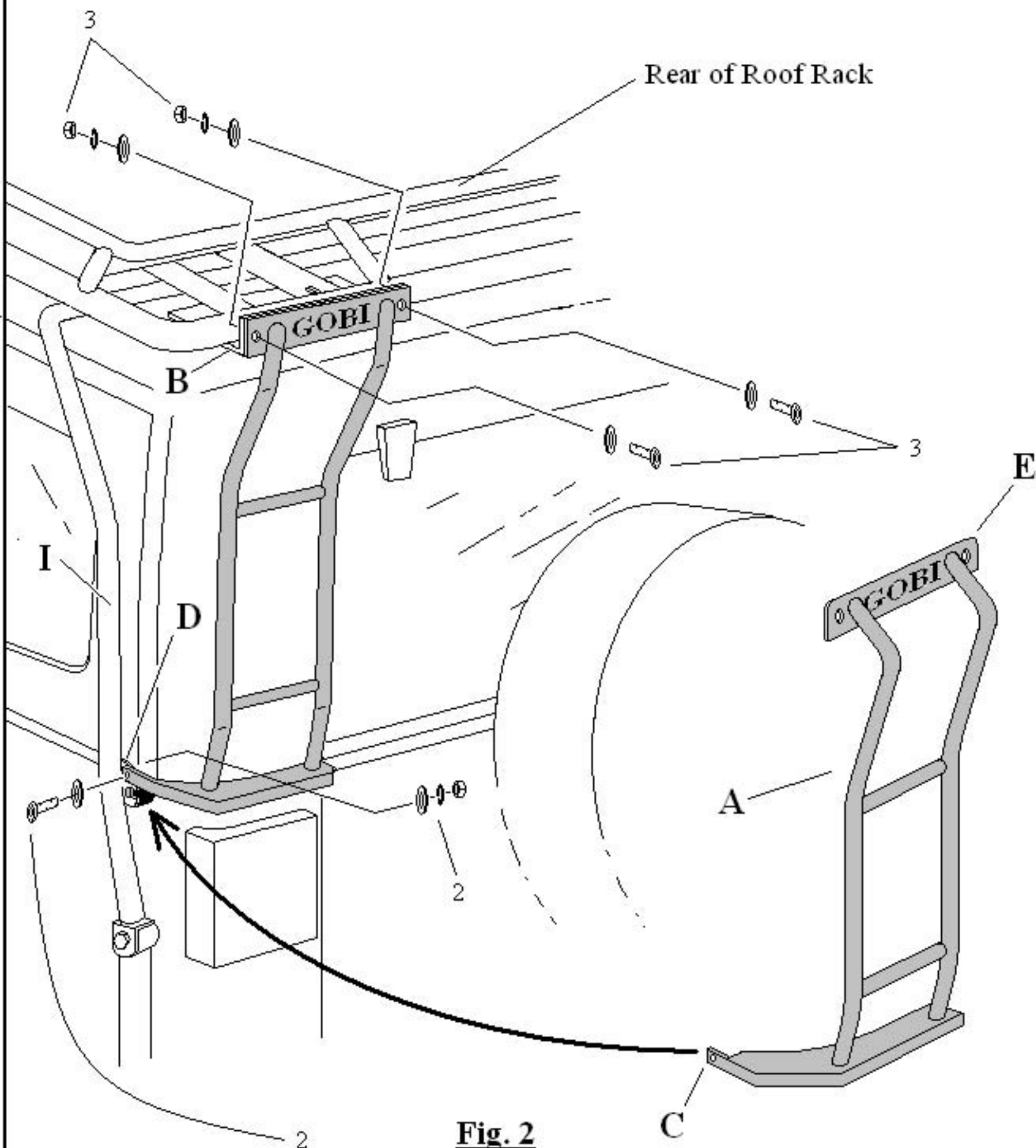


Fig. 2

GOBI 2011 JEEP JK WRANGLER LADDER INSTALLATION INSTRUCTIONS

INSTALLATION INSTRUCTIONS:

- 1- Refer to page 2 make sure all hardware listed is present prior to installation.
- 2- Read all directions carefully prior to install.
- 3- Refer to page 3 Fig. 1 and remove Hanger plate "B" strapped to Ladder during shipping. Use the 5/16-18 x 1" button head Allen screws, flat washers, lock washers and lock nuts #1 located in Bag #1 of your hardware kit to attach Hanger Plate "B" facing upwards as shown in Fig. 1 to the underside of either the rear passenger or drivers side welded in support plates "H". Choose the rear attachment side of the roof rack based on your ladder, passenger or driver side. Finger tighten screws only at this time.
- 4- Refer to page 4 Fig. 2 align the round hole of flange "c" located at the bottom end of ladder "A" to the outside of the round hole of flange "D" located on the Gobi Rack rear support bar "I" as shown on page 3 Fig. 1. Use the 3/8-16 x 1" hex bolt, flat washers, lock washer and nut #2 located in Bag #1 of your hardware kit and attach as shown in Fig. 2 page 4. Finger tighten hardware only at this time.
- 5- Refer to page 4 Fig. 2 and align top bracket "E" of ladder "A" to hanger plate "B" previously assembled to roof rack and attach using 5/16-18 x 1" button head Allen screws, flat washers, lock washers and lock nuts #3. Finger tighten hardware only at this time.
- 6- Refer to page 3 Fig. 1 and open rear door "F" completely at this time. Carefully lift rear door window "G" and make certain that clearance of at least 1/4" is available between the window at its highest point and ladder at its closest point to window. If needed ladder "A" can be moved and shifted away from the rear window using the slots in hanger bracket "B" as shown on page 3 Fig. 1. Once the adjustment has been made completely tighten Hanger plate "B" to roof rack welded in support plates "H" as shown in Fig. 1 page 3.
- 7- Refer to page 3 Fig. 1 "J" and clean a 2" round area of the vehicle body in direct contact with the rubber bumper which is attached to the bottom of ladder "A" using denatured alcohol. Then remove the 1" Round adhesived backed Brown wear pad from Bag #1 of your hardware kit and peeloff the protective film and apply the wear pad directly onto the vehicle body under rubber bumper. Continue to completely tighten securely screws 2 and 3 as shown on page 4 Fig. 2. All ladder "A" screws and bolts must be completely and securely tightened at this time. The ladder installation is complete.