

## GOBI HUMMER SUT BED RACK INSTALLATION INSTRUCTIONS

### Guidelines:

When using Load Carriers and Accessories, the user must understand the precautions. The points listed below will assist you in using the rack /carrier system and will encourage safety.

- For quality fits and safety, use only the recommended rack or accessory. Do not assume an accessory will fit, always check with dealer when obtaining new accessories. Use only approved accessories on load carriers. Using other brands will void your warranty.
- Make sure all knobs, bolts, screws, straps, and locks are firmly attached, tightened and locked before every trip. Knobs, bolts, screws, straps, and locks must be periodically inspected for signs of wear, corrosion, and fatigue. Check your load at stops during the trip to insure continued fastening security.
- Check local and state laws governing projection of objects beyond the width of a vehicle. **Be aware of the width and height of your cargo since low clearance branches, bridges, and parking garages can affect the load** All cargo will affect the vehicle's driving behavior. Never drive with any lock, knob, or rack in an open or unlocked position. All long loads such as, but not limited to sailboards, surfboards, kayaks, canoes, and lumber must be tied down front and rear to the bumpers or tow hooks, of the vehicle.
- Remove your rack accessories when they are not in use, before entering car washes, prior to taking in your vehicle for service, and whenever clearance may be an issue.
- All locks must be turned and moved periodically to insure smooth operation. Use graphite or similar dry lubricant to help this. Locks are designed to deter vandalism and theft. Remove valuable gear if your vehicle is unattended for an extended period. Place at least one key in the glove compartment.
- For safety to your vehicle and rack system, obey all posted speed limits and traffic cautions. Adapt your speed to the conditions of the road and the load being carried.
- Do not use load carriers and accessories for purposes other than those for which they were designed. Do not exceed their carrying capacity.
- Consult with your dealer if you have any questions regarding the operations and limits of this product. Review all instructions carefully.

## GOBI HUMMER SUT BED RACK INSTALLATION INSTRUCTIONS

1 OF THE FOLLOWING MOUNTING HARDWARE  
PACKAGES WILL BE INCLUDED IN KIT PLEASE  
SPECIFY WHEN ORDERING:

### HARDWARE FOR TONNEAU COVER SURFACE MOUNT

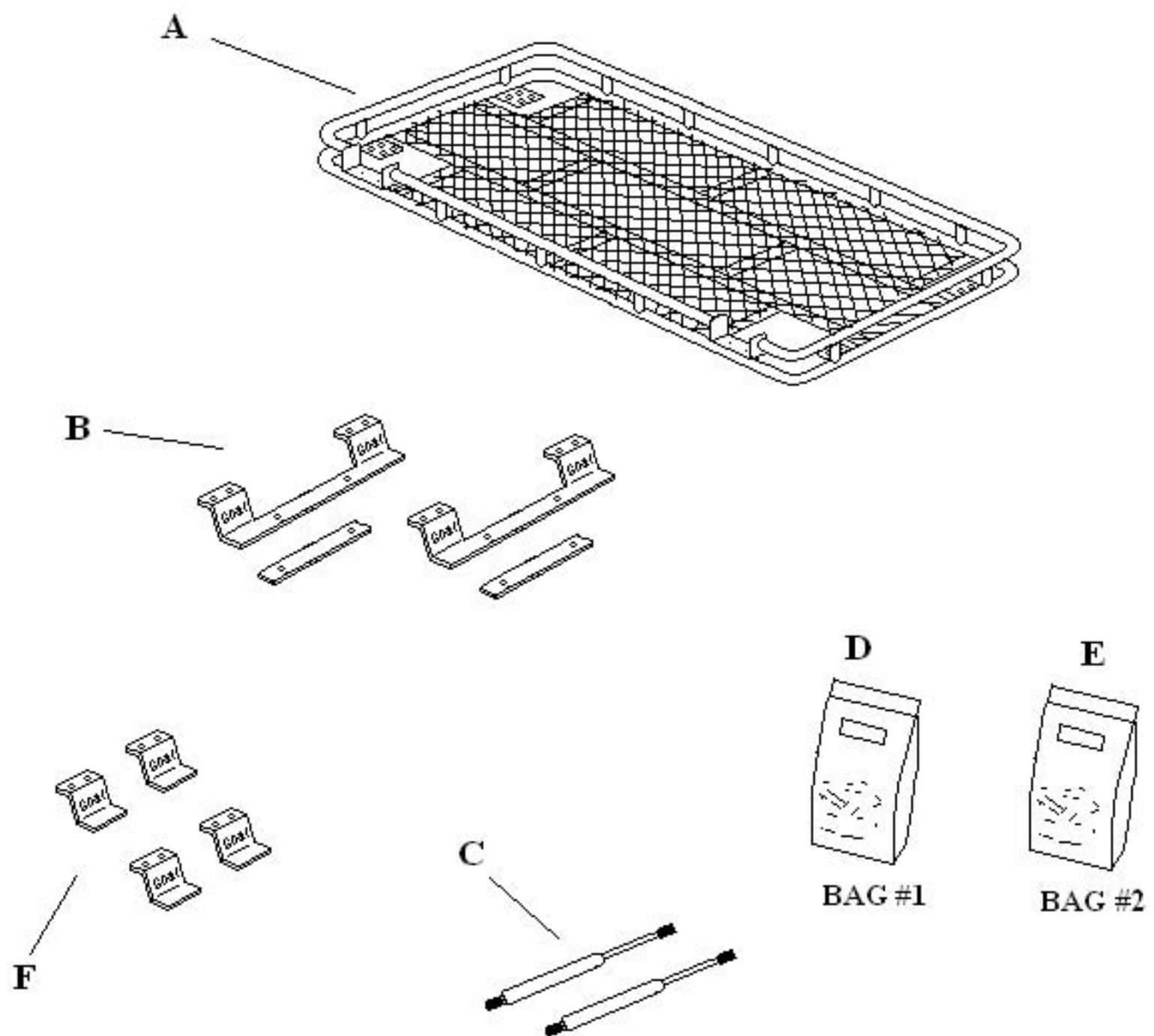
Letter	Description	Location	Quantity
A	GOBI HUMMER SUT BED RACK	Main box	1
B	GOBI SUPPORT BRACKETS	Banded to Rack	2
C	GOBI GAS SPRINGS	Hardware Box	2
D	BRACKET HARDWARE FOR TONNEAU COVER CONTENTS: 8- 3/8-16 x 1" Stainless hex bolts 16- 3/8" Stainless washers 8- 3/8" Nylok nuts 4- Rubber pad black	<b>BAG #1</b> Hardware Box	1
E	BRACKET HARDWARE FOR BED RACK CONTENTS: 4- 5/16"-18 x 1 1/4" Stainless button head screw 8- 5/16" Stainless washer 4- 5/16" Nylok nuts 4- 1/2" x 1/2" Nylon spacers 1- 3/16" allen wrench	<b>BAG #2</b> Hardware box	1

### HARDWARE FOR ORIGINAL OEM BED RAIL MOUNT

Letter	Description	Location	Quantity
A	GOBI HUMMER SUT BED RACK	Main box	1
F	GOBI SUPPORT BRACKETS	Hardware Box	4
D	BRACKET HARDWARE FOR BED RACK CONTENTS: 8- 3/8-16 x 1" Stainless hex bolts 16- 3/8" Stainless washers 8- 3/8" Nylok nuts 4- Rubber pad black	<b>BAG #1</b> Hardware Box	1
E	BRACKET HARDWARE FOR GM BED RAILS CONTENTS: 8- 5/16 - 18 x 1" Stainless button head screw 8- 5/16" Stainless washer 8- 5/16" Stainless lock washers 4- "T" Nuts black zinc 4- Rubber pad black 1- 3/16" allen wrench	<b>BAG #2</b> Hardware box	1

## GOBI HUMMER SUT BED RACK INSTALLATION INSTRUCTIONS

Included in kit (Cont.)



## GOBI HUMMER SUT BED RACK INSTALLATION INSTRUCTIONS

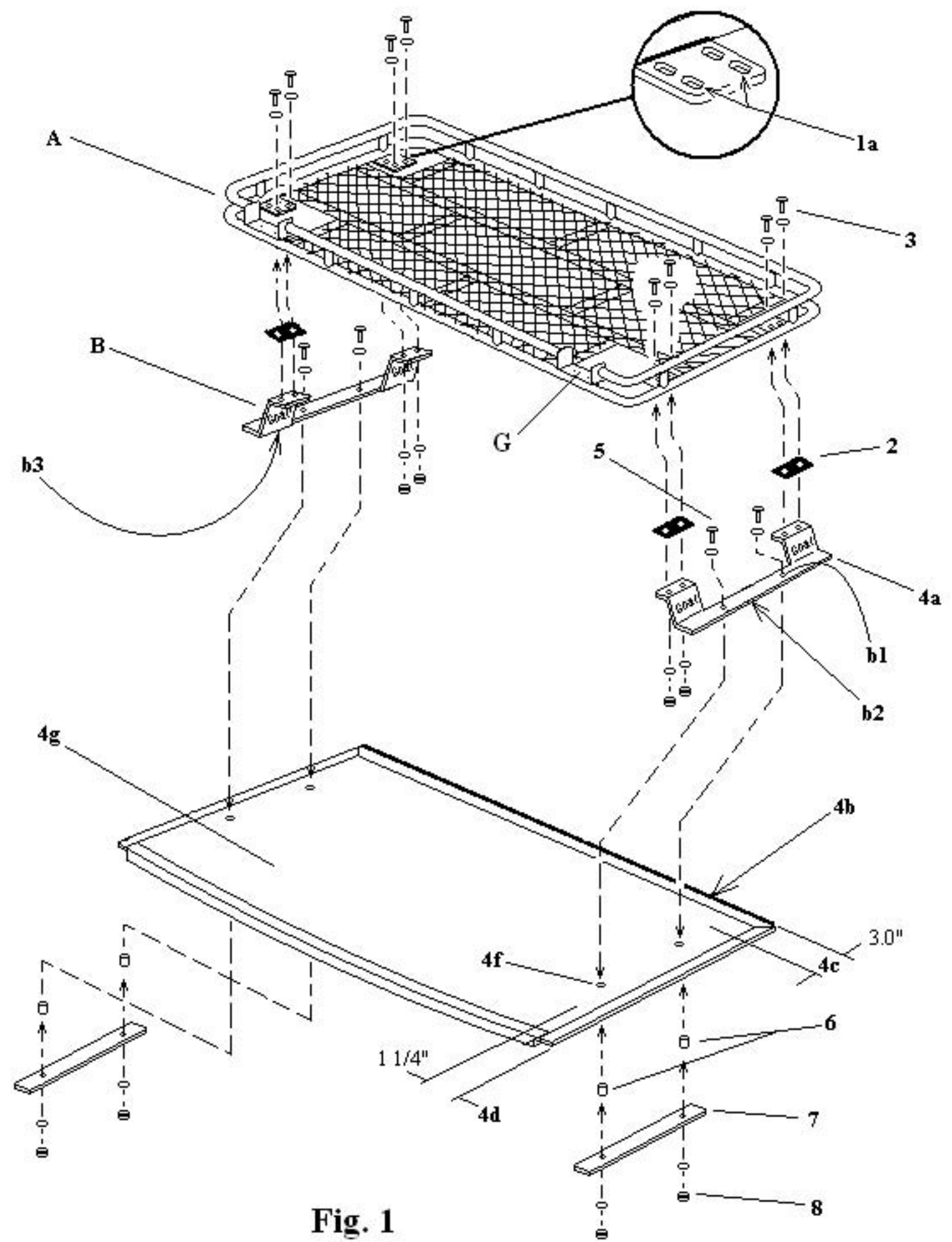
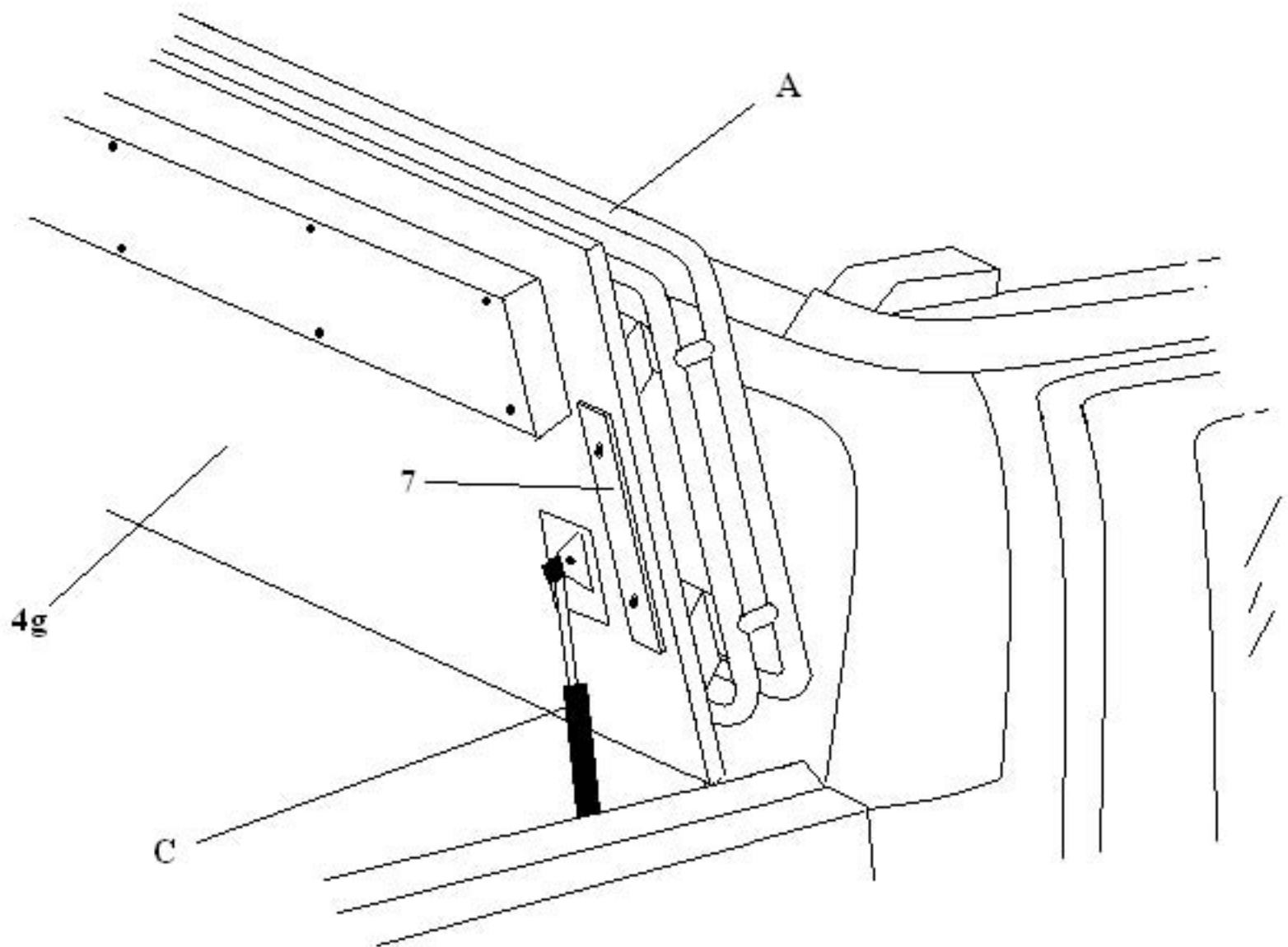


Fig. 1

## GOBI HUMMER SUT BED RACK INSTALLATION INSTRUCTIONS



**Fig. 2**

## GOBI HUMMER SUT BED RACK INSTALLATION INSTRUCTIONS

The rack must be inspected before each use to make certain attachments are secure, and for evidence of Wear. Misuse of the rack or failure to observe the manufacturer's instructions as to installation, proper Attachment and maintenance will void any warranties that may be implied by law.

1. Check and be sure all parts are accounted for as listed and illustrated on pages 2 and 3 for your specific installation type either "Tonneau Cover Surface Mount" or "Original OEM Bed Track Mount". After all parts have been accounted for begin by removing screws from Bag #1 and attaching support brackets "B" to welded in brackets 1a of GOBI Bed rack "A" as shown on page 4 Fig. 1. Finger tighten only at this time.
2. With support brackets "B" attached to GOBI Bed rack "A" place entire rack onto Tonneau cover 4g with rear light brackets "G" facing the rear of the vehicle as shown on page 4 Fig. 1. Adjust brackets "B" and Bed rack "A" to lay on the surface of the Tonneau cover so that the rear ends 4a of support brackets "B" are approximately 3" 4c from the rear Tonneau cover hinge 4b. The side edges b2 of support brackets "B" must be approximately 1 1/4" from the inner edges of the Tonal cover frame 4d full length of the brackets "B" as shown on page 4 Fig. 1. Completely tighten all mounting screws between support brackets "B" and Bed rack "A" at this time. After all screws have been tightened check over the position of the GOBI Bed rack on the Tonneau cover to make sure the rack has not shifted. If so place the Bed rack back to the required position on the Tonneau cover.
3. Using a marking tool, pencil or marker place a mark onto the Tonneau cover through holes b1 of support brackets "B" all four holes as shown on page 4 Fig. 1. Make sure marks fill the holes and can be clearly visible. Remove Bed rack "A" with attached support brackets "B" at this time. Drill through each mark a 1/2" hole straight down through the Tonneau cover. Prior to drilling place a 1/2" piece of wood or the like between the Tonneau cover and the Tonneau cover support to prevent the drill bit from damaging your vehicle.
4. After the 4 holes have been drilled clean the surface of the Tonneau cover directly over the area where the mounting holes are and where support bracket "B" will rest using denatured alcohol. Open bag #2 and remove screws place the four 5/16" x 1 1/4" screws and 5/16" washers into holes b1 of support bracket "B" as shown on page 4 Fig. 1. Place the GOBI Bed rack back onto the Tonneau cover and over the holes just previously drilled use the hanging four screws to guide the Bed racks position. Once the four screws are within the drilled holes lift one side of the Bed rack and remove the protective cover on the double back tape attached to the bottom of the support bracket "B" then place back down onto the Tonneau cover being very careful to realign the support bracket "B" holes b1 to the drilled holes in the cover. Apply the same method to the opposite side making sure to realign the bracket "B" to the drilled holes.
5. Push Nylon spacers #6 as shown on page 4 Fig. 1 into the drilled Tonneau cover holes from the underside of the Tonneau cover up. Be sure that screws #5 are through the spacers and spacers are seated well into the Tonneau cover. Place flat plate #7 onto the underside of the Tonneau cover so that screws #5 pass through plate #7 install a 5/16" washer and Nylok nut #8 found in bag #2 onto screw #5. Complete the same process to all four screws and tighten down firmly to secure the GOBI Bed rack to the Tonal cover as shown on page 4 and 5 Fig. 1 and 2.
6. Remove the existing Gas springs "C" from the Tonneau cover as shown on page 5 Fig. 2 and replace with the stronger GOBI gas springs supplied with this kit. Replace one Gas spring at a time with the Tonneau cover in the lifted or open position. Take **CAUTION** when replacing the Gas springs as the Tonneau cover with the GOBI Bed rack is very heavy with out the assist of the Gas springs. Two persons may be required to complete the installation procedure.