

## GOBI HUMMER SUT RANGER RACK INSTALLATION INSTRUCTIONS

### Guidelines:

When using Load Carriers and Accessories, the user must understand the precautions. The points listed below will assist you in using the rack /carrier system and will encourage safety.

- For quality fits and safety, use only the recommended rack or accessory. Do not assume an accessory will fit, always check with dealer when obtaining new accessories. Use only approved accessories on load carriers. Using other brands will void your warranty.
- Make sure all knobs, bolts, screws, straps, and locks are firmly attached, tightened and locked before every trip. Knobs, bolts, screws, straps, and locks must be periodically inspected for signs of wear, corrosion, and fatigue. Check your load at stops during the trip to insure continued fastening security.
- Check local and state laws governing projection of objects beyond the width of a vehicle. **Be aware of the width and height of your cargo since low clearance branches, bridges, and parking garages can affect the load** All cargo will affect the vehicle's driving behavior. Never drive with any lock, knob, or rack in an open or unlocked position. All long loads such as, but not limited to sailboards, surfboards, kayaks, canoes, and lumber must be tied down front and rear to the bumpers or tow hooks, of the vehicle.
- Remove your rack accessories when they are not in use, before entering car washes, prior to taking in your vehicle for service, and whenever clearance may be an issue.
- All locks must be turned and moved periodically to insure smooth operation. Use graphite or similar dry lubricant to help this. Locks are designed to deter vandalism and theft. Remove valuable gear if your vehicle is unattended for an extended period. Place at least one key in the glove compartment.
- For safety to your vehicle and rack system, obey all posted speed limits and traffic cautions. Adapt your speed to the conditions of the road and the load being carried.
- Do not use load carriers and accessories for purposes other than those for which they were designed. Do not exceed their carrying capacity.
- Consult with your dealer if you have any questions regarding the operations and limits of this product. Review all instructions carefully.

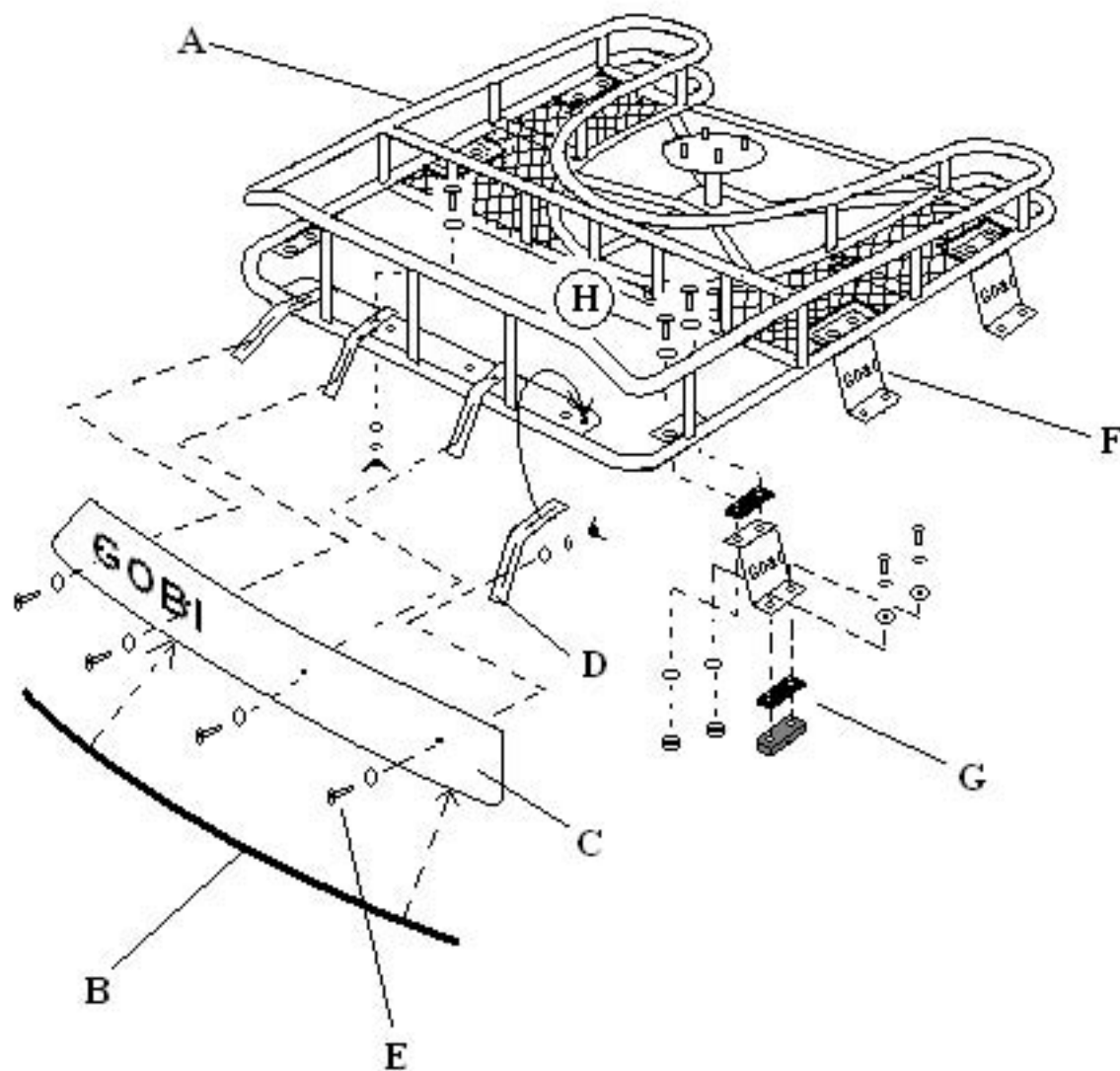
## GOBI HUMMER SUT RANGER RACK INSTALLATION INSTRUCTIONS

### Included in kit

Letter	Description	Location	Quantity
A	GOBI HUMMER SUT ROOF RACK	Main box	1
B	FAIRING RUBBER PROTECTIVE STRIP	pre-assembled	1
C	FAIRING	banded to rack	1
D	FAIRING BRACKETS (pre-assembled to fairing)	pre-assembled	4
E	FAIRING BRACKET HARDWARE CONTENTS: 4- 1/4-20x3/4" SS Button head screw 8- 1/4" Black nylon washer 4- 1/4-20 Nylok nut	<b>BAG #2</b> Hardware Box	1
F	GOBI SUPPORT BRACKETS	Hardware Box	6
G	GOBI SUPPORT BRACKET HARDWARE CONTENTS: 6- "T" nut black zinc plated 12- 5/16"-18 x 1" Stainless button head screw 12- 5/16" Stainless washer 12- 5/16" Stainless lock washer 6- Rubber pad black 1- 3/16" allen wrench	<b>BAG #3</b> Hardware Box	1
H	GOBI SUPPORT BRACKET HARDWARE CONTENTS: 12- 3/8"-16 x 1" Stainless bolt 24- 3/8" Stainless washer 12- 3/8" Nylock nut 6- Rubber pad black	<b>BAG #4</b> Hardware Box	1
I	GOBI DRIVING/FOG LIGHT SPACER WASHER CONTENTS: 28- washer black zinc	<b>BAG #5</b> Hardware box	1

## GOBI HUMMER SUT RANGER RACK INSTALLATION INSTRUCTIONS

Included in kit (Cont.)



BAG #1



BAG #2



BAG #3



BAG #4



BAG #5

## GOBI HUMMER SUT RANGER RACK INSTALLATION INSTRUCTIONS

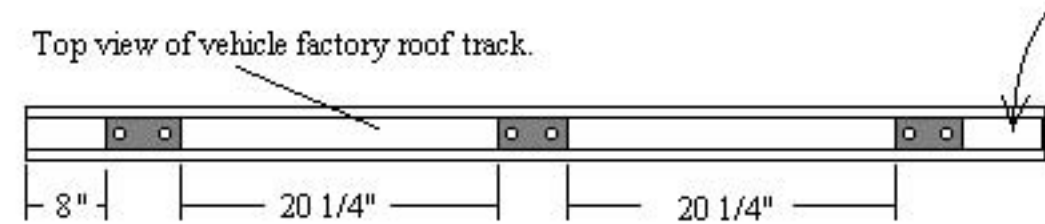
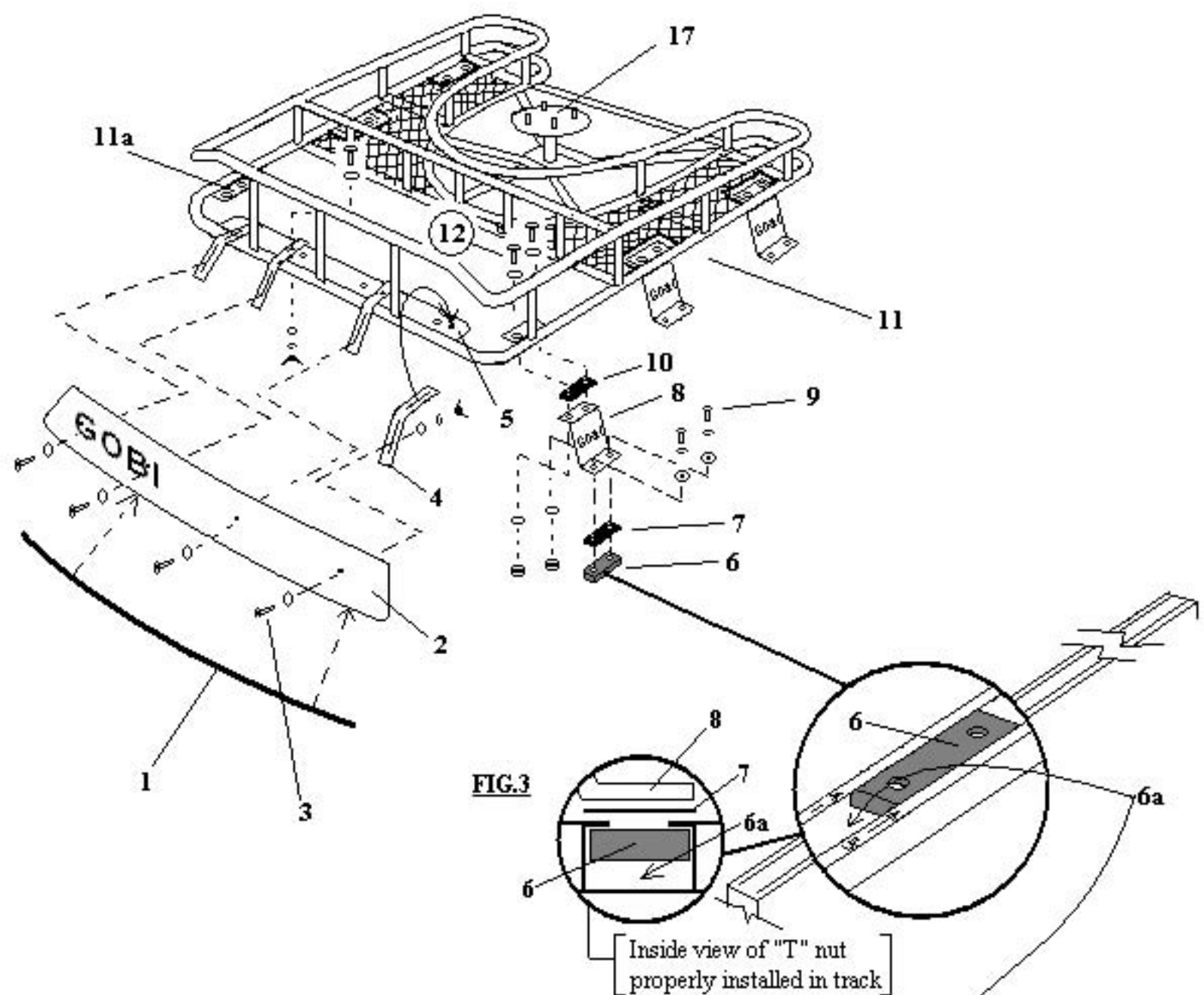


FIG.2

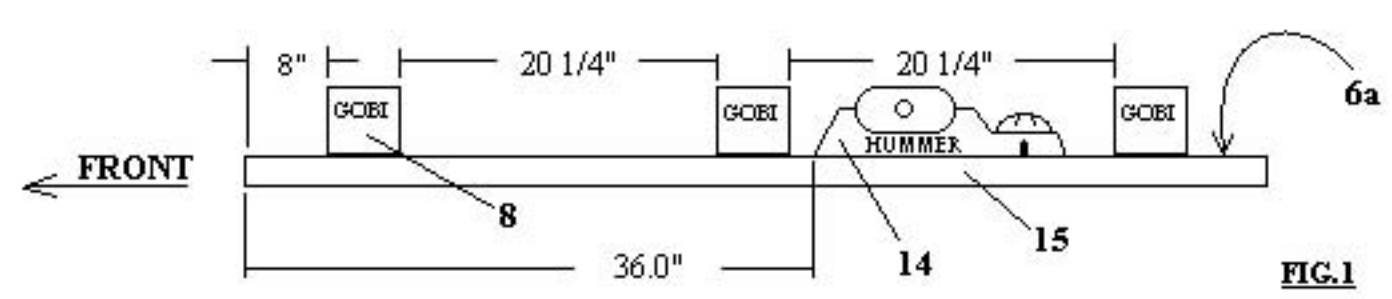


FIG.1

## GOBI HUMMER SUT RANGER RACK INSTALLATION INSTRUCTIONS

*The rack must be inspected before each use to make certain attachments are secure, and for evidence of Wear. Misuse of the rack or failure to observe the manufacturer's instructions as to installation, proper Attachment and maintenance will void any warranties that may be implied by law.*

1. Plastic Bag labeled #1 remove contents and press rubber protective strip #1 on to bottom of fairing #2.
2. Plastic Bag labeled #2 remove contents and place black button head screw #3 thru black washer and then thru fairing #2. Place fairing onto bracket #4 and attach black washer, lock washer and wing nut finger tight only. Attach all 4 brackets but do not attach fairing to rack at this time.
3. If the GOBI roof rack calls for 2" support brackets both the front and rear factory cross bars must be removed at this time. If the GOBI roof rack calls for 4" brackets remove only the rear cross bar and slide the front cross bar #14 back approximately 36" from the front of the roof track #15 as shown in Fig. 1 page 4 do not fully tighten down cross bar at this time.
4. Plastic Bag labeled #3 remove contents and insert black "T" nuts #6 into roof track slot 6a to both roof tracks #15 and space apart as shown in Fig. 2 page 4.
5. Plastic Bag labeled #3 remove contents and place the rubber washer #7 on to factory roof track slot above each "T" nut both tracks.
6. Place support bracket #8 in the direction shown in the illustration with small bolt holes faced down onto rubber washer #7 and thread bolts, lock washers and washers #9 found in Plastic Bag labeled #3 thru support bracket #8 and into "T" nut #6. **Make certain** "T" nuts are installed in vehicle roof track 6a correctly as shown in Fig. 3 page 4. Repeat this step to all #8 support brackets and keep spacing of #8 support brackets as shown in Fig. 1 page 4. Finger tighten bolts at this time.
7. After all #8 support brackets have been installed and spaced as shown in Fig. 1 page 4 place the GOBI rack #11 with welded-in brackets #11a on top of all #8 support brackets.
8. After placing the GOBI rack #11 on top of the #8 support brackets slide the black rubber washers #10 found in Plastic Bag labeled #4 between all 6 GOBI rack welded-in brackets #11a and the #8 support brackets. Install all #12 bolts, washers and Nylock nuts found in Plastic Bag labeled #4 as shown in the illustration page 4 and finger tighten at this time.
9. Align rack with vehicle and tighten **all** nuts and bolts securely. Completely tighten factory rear cross bar at this time.



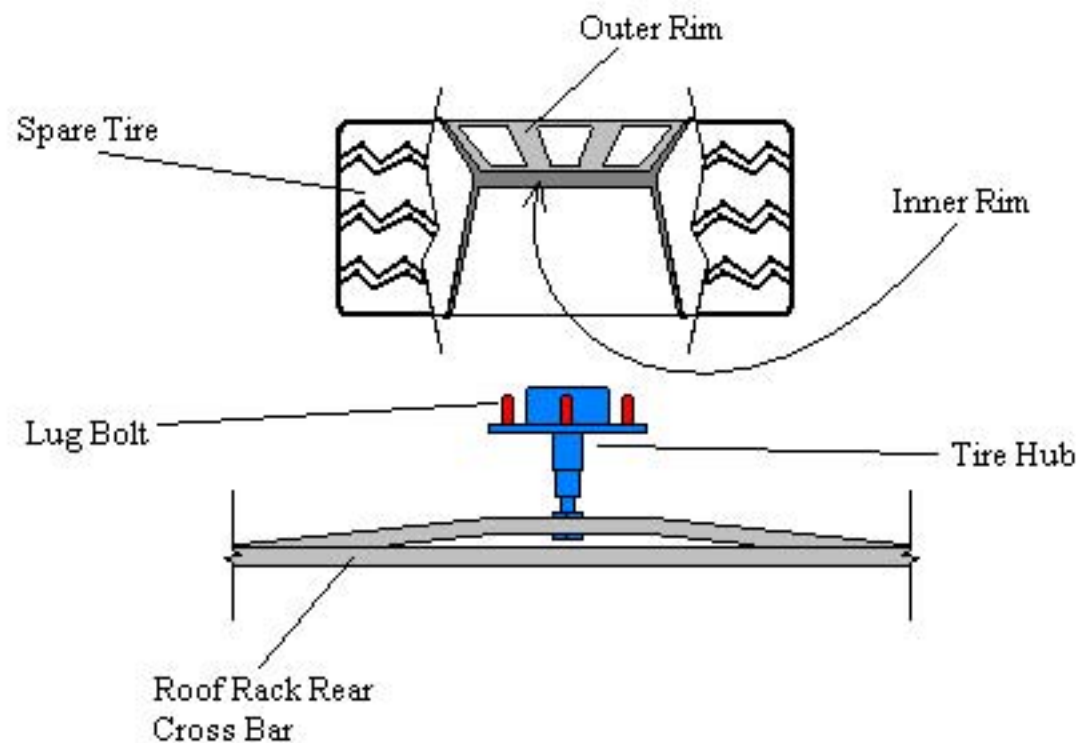
## GOBI HUMMER SUT RANGER RACK INSTALLATION INSTRUCTIONS

10. Place the fairing #2 with attached brackets #4 to the light bar #5 of the rack. Align fairing bracket #4 with the small holes in the light bar #5. Place the screws and washers thru bracket #4 and thru light bar #5 finger tighten using the washers and nuts supplied in Plastic Bag labeled #2. Position the fairing so that it is behind the exterior roof lamps and approximately 1/2" from the sides of the roof Mast. Also be certain the fairing is at or below the bottom of the forward off road lights this will prevent any light beam blockage. Tighten all fairing nuts and bolts and maintain that the fairing remains smooth through out its curve and tight against the vehicle roof to prevent wind chatter. If the fairing becomes distorted during the tightening procedure you may need to move a bracket in or out or pivot right or left in order to provide the Fairing with a smooth surface appearance. If necessary fairing brackets may be bent in order to remove all deformation. When installation of the fairing is completed the Fairing must be tight against the vehicle roof surface and free from distortion.
  
11. If your GOBI roof rack is equipped with a tire carrier remove the protective covering on the threaded studs of the tire carrier support plate #17 page 4 at this time. Place the spare tire on top of the tire carrier support plate #17 making certain the inner rim of the spare tire is facing the tire carrier support plate #17. Position the tire carrier support plate #17 approximately 3/4" below the inner spare tire rim surface. You will have to lift the tire and turn the tire carrier support plate #17 clockwise or counter clockwise a few times in order to achieve the desired distance of 3/4" below the inner spare tire rim. When the tire carrier #17 has been adjusted properly install all four lug nuts and tighten securely. After the spare tire has been tightened down completely the face of the tire in contact with the roof rack will form slightly around the roof rack tubing this is normal and will prevent the spare tire from moving during transport. If desired a Hummer tire hub cap can be placed onto the spare tire to prevent the elements from collecting with-in the tire carrier support plate and complete the final appearance.

## TIRE MOUNTING INSTRUCTIONS FOR GOBI TIRE CARRIER ROOF RACKS

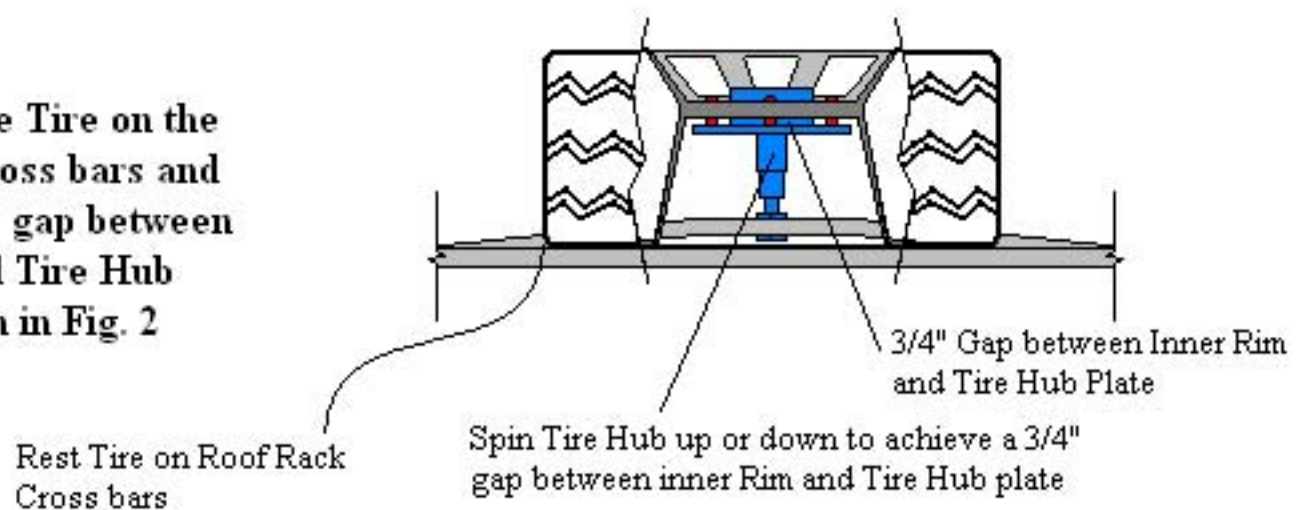
### STEP 1

Place the Spare Tire (Inner Rim down) over the Tire Hub as shown in Fig. 1

**Fig. 1**

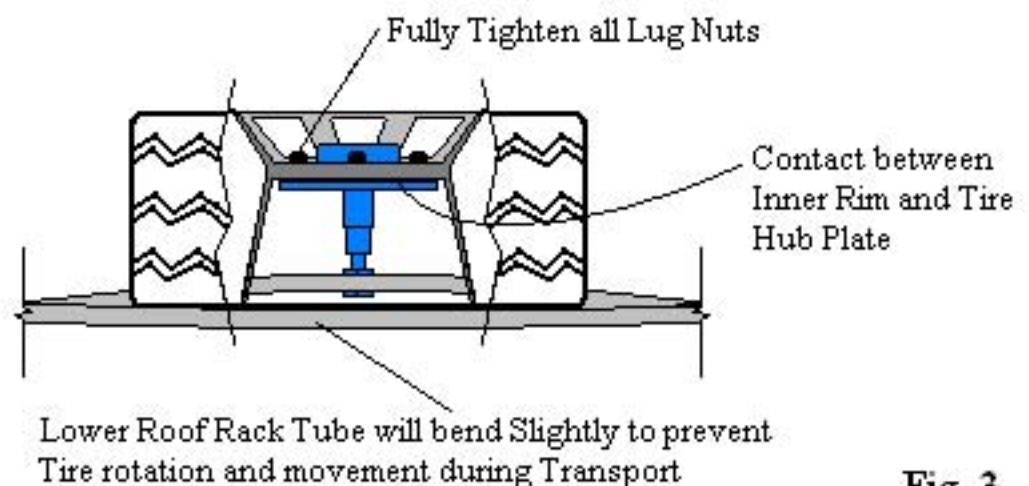
### STEP 2

Rest the Spare Tire on the Roof Rack Cross bars and provide a 3/4" gap between Inner Rim and Tire Hub Plate as shown in Fig. 2

**Fig. 2**

### STEP 3

Install and fully tighten all four Lug Nuts so that the Spare Tire's Inner Rim makes contact with Tire Hub plate. The Spare Tire will form around Roof Rack Cross bars and slightly bend the Rear most Cross bar as shown in Fig. 3

**Fig. 3**