

GOBI H2 6' ROOF RACK INSTALLATION INSTRUCTIONS

Guidelines:

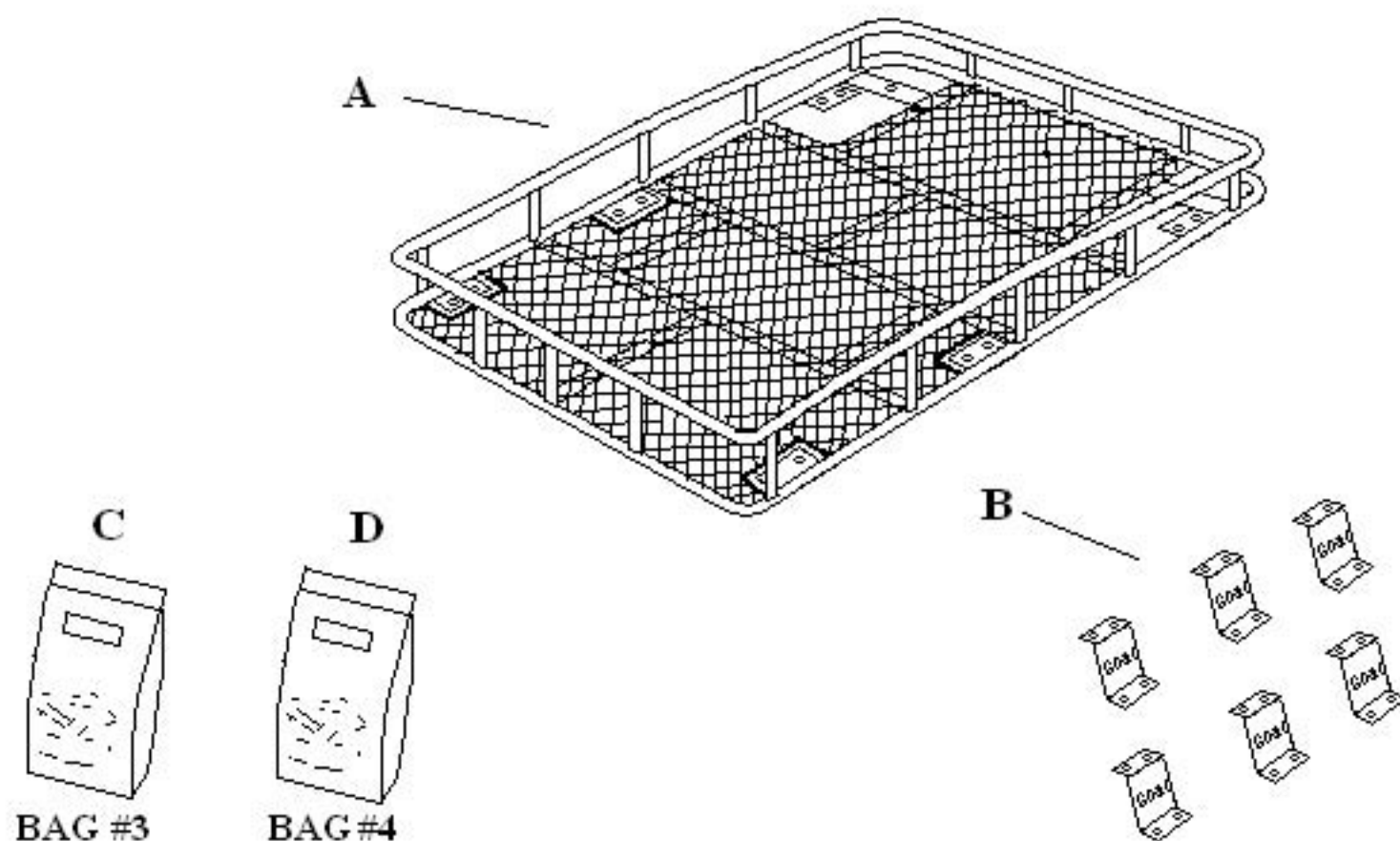
When using Load Carriers and Accessories, the user must understand the precautions. The points listed below will assist you in using the rack /carrier system and will encourage safety.

- For quality fits and safty, use only the recommended rack or accessory. Do not assume an accessory will fit, always check with dealer when obtaining new accessories. Use only approved accessories on load carriers. Using other brands will void your warrenty.
- Make sure all knobs, bolts, screws, straps, and locks are firmly attached, tightened and locked before every trip. Knobs, bolts, screws, straps, and locks must be periodically inspected for signs of wear, corrosion, and fatigue. Check your load at stops during the trip to insure continued fastening security.
- Check local and state laws governing projection of objects beyound the width of a vehicle. **Be aware of the width and height of your cargo since low clearance branches, bridges, and parking garages can affect the load** All cargo will affect the vehicle's driving behavior. Never drive with any lock, know, or rack in an open or unlocked position. All long loads such as, but not limited to sailboards, surfboards, kayaks, canoes, and lumber must be tied down front and rear to the bumpers or tow hooks, of the vehicle.
- Remove your rack accessories when they are not in use, before intering car washes, prior to taking in your vehicle for service, and whenever clearance may be an issue.
- All locks must be turned and moved periodically to insure smooth operation. Use graphite or similar dry lubricant to help this. Locks are designed to deter vandalism and theft. Remove valuable gear if your vehicle is unattended for an extended period. Place at least one key in the glove compartment.
- For safety to your vehicle and rack system, obey all posted speed limits and traffic cautions. Adapt your speed to the conditions of the road and the load being carried.
- Do not use load carriers and accessories for purposes other than those for which they were designed. Do not exceed their carrying capacity.
- Consult with your dealer if you have any questions regarding the operations and limits of this product. Review all instructions carefully.

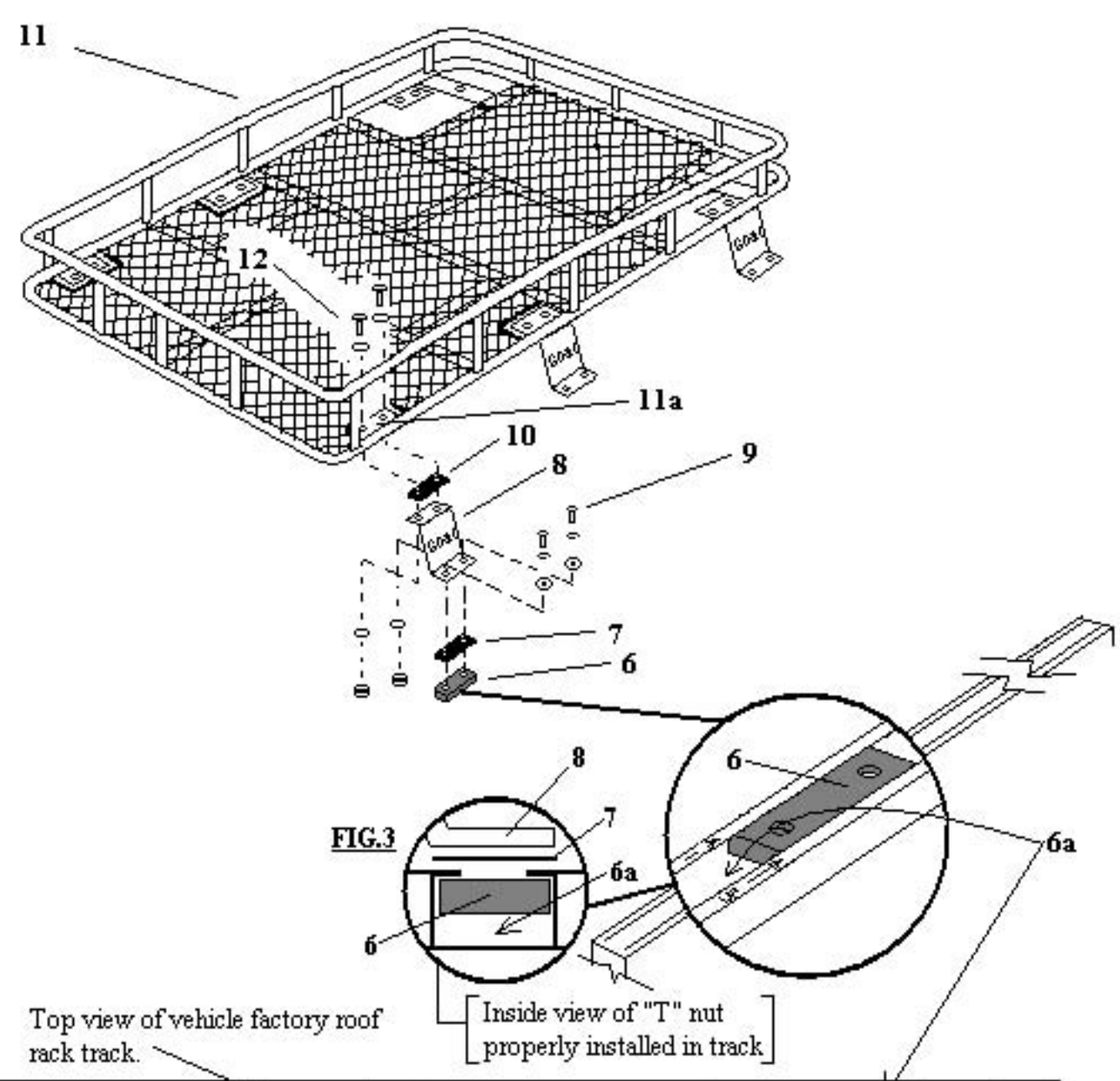
GOBI H2 6' ROOF RACK INSTALLATION INSTRUCTIONS

Included in kit

Letter	Description	Location	Quantity
A	GOBI H2 HUMMER 6' ROOF RACK	Main box	1
B	GOBI SUPPORT BRACKETS	Hardware Box	6
C	GOBI SUPPORT BRACKET HARDWARE CONTENTS: 6- "T" nut black zinc plated 12- 5/16"-18 x 1" Stainless button head screw 12- 5/16" Stainless washer 12- 5/16" Stainless lock washer 6- Rubber pad black 1- 3/16" allen wrench	BAG #3 Hardware Box	1
D	GOBI SUPPORT BRACKET HARDWARE CONTENTS: 12- 3/8"-16 x 1" Stainless bolt 24- 3/8" Stainless washer 12- 3/8" Nylock nut 6- Rubber pad black	BAG #4 Hardware Box	1



GOBI H2 6' ROOF RACK INSTALLATION INSTRUCTIONS



Top view of vehicle factory roof rack track.

Inside view of "T" nut properly installed in track

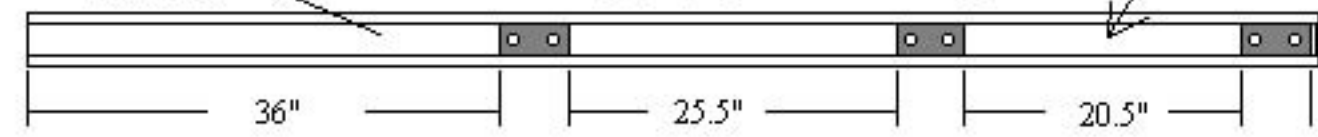


FIG.2

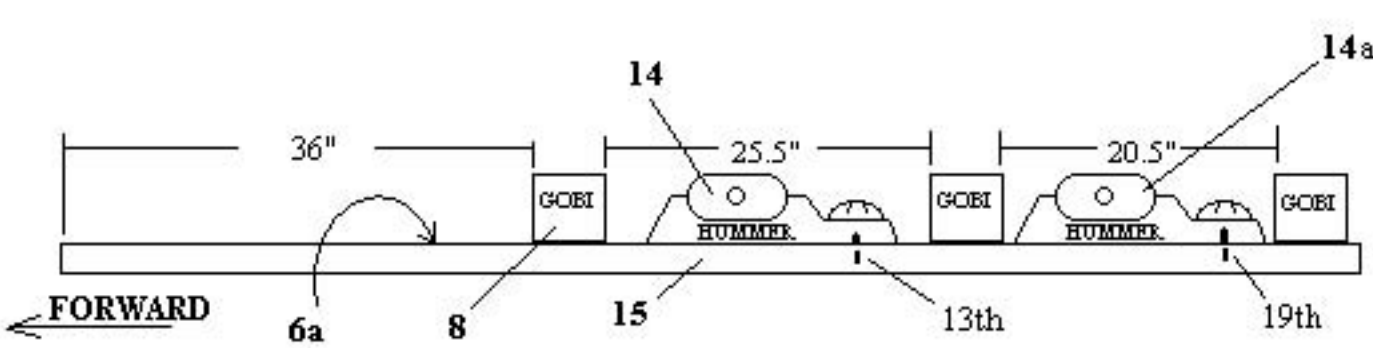


FIG.1

GOBI H2 6' ROOF RACK INSTALLATION INSTRUCTIONS

The rack must be inspected before each use to make certain attachments are secure, and for evidence of Wear. Misuse of the rack or failure to observe the manufacturer's instructions as to installation, proper Attachment and maintenance will void any warranties that may be implied by law.

Note: IF YOUR GOBI ROOF RACK COMES EQUIPPED WITH 2" SUPPORT BRACKETS DISREGARD STEP 1 AND MOVE ON TO STEP 2.

1. Reposition the forward factory Cross bar Fig.1 #14 to the 13th indicator line on the side plastic roof track cover #15. Reposition the rearward factory cross bar Fig.1 #14a to the 19th indicator line on the side plastic roof track cover #15 both sides.
2. Plastic Bag labeled #3 remove contents and insert black "T" nuts #6 into roof track slot 6a to both roof tracks #15 and space apart as shown in Fig. 2 page 3.
3. Plastic Bag labeled #3 remove contents and place the rubber washer #7 on to factory roof track slot above each "T" nut both tracks.
4. Place support bracket #8 in the direction shown in the illustration with small bolt holes faced down onto rubber washer #7 and thread bolts, lock washers and washers #9 found in Plastic Bag labeled #3 thru support bracket #8 and into "T" nut #6. **Make certain** "T" nuts are installed in vehicle roof track 6a correctly as shown in Fig. 3 page 3. Repeat this step to all #8 support brackets and keep spacing of #8 support brackets as shown in Fig. 1 page 3. Finger tighten bolts at this time.
5. After all #8 support brackets have been installed and spaced as shown in Fig. 1 page 3 place the GOBI rack #11 with welded-in brackets #11a on top of all #8 support brackets.
6. After placing the GOBI rack #11 on top of the #8 support brackets slide the black rubber washers #10 found in Plastic Bag labeled #4 between all 6 GOBI rack welded-in brackets #11a and the #8 support brackets. Install all #12 bolts, washers, lock washers and nuts found in Plastic Bag labeled #4 as shown in the illustration page 3 and finger tighten. Align rack with vehicle and tighten all nuts and bolts securely.
7. If your GOBI roof rack is equipped with a tire carrier remove the protective covering on the threaded studs of the tire carrier support plate #17 page 3 at this time. Place the spare tire on top of the tire carrier support plate #17 making certain the inner rim of the spare tire is facing the tire carrier support plate #17. Position the tire carrier support plate #17 approximately $\frac{3}{4}$ " below the inner spare tire rim surface. You will have to lift the tire and turn the tire carrier support plate #17 clockwise or counter clockwise a few times in order to achieve the desired distance of $\frac{3}{4}$ " below the inner spare tire rim. When the tire carrier #17 has been adjusted properly install all four lug nuts and tighten securely. After the spare tire has been tightened down completely the face of the tire in contact with the roof rack will form slightly around the roof rack tubing this is normal and will prevent the spare tire from moving during transport. If desired a Hummer tire hub cap can be placed onto the spare tire to prevent the elements from collecting with-in the tire carrier support plate and complete the final appearance.