

GOBI HUMMER H1 LADDER INSTALLATION INSTRUCTIONS

Guidelines:

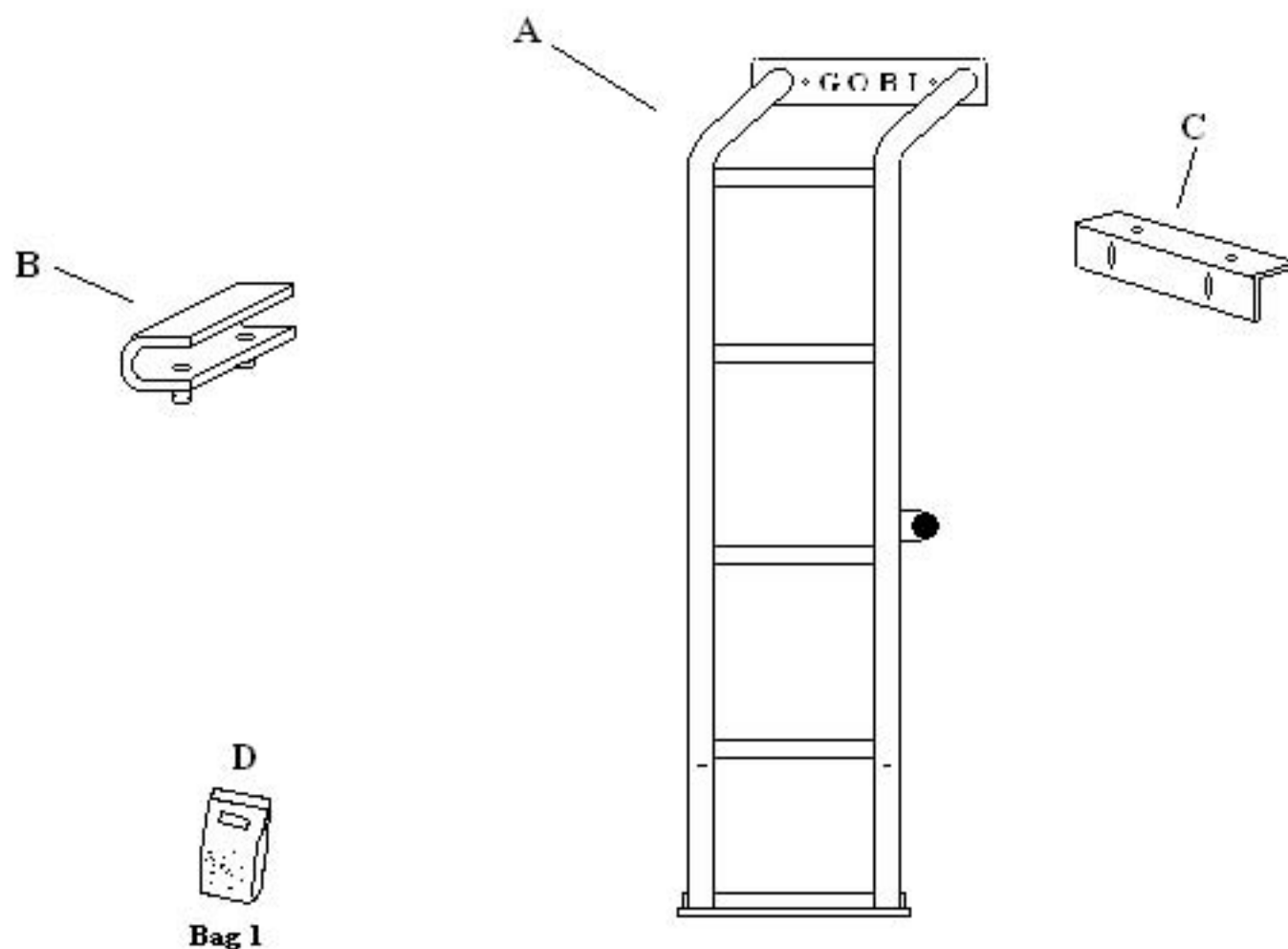
When using Load Carriers and Accessories, the user must understand the precautions. The points listed below will assist you in using the rack /carrier system and will encourage safety.

- For quality fits and safety, use only the recommended rack or accessory. Do not assume an accessory will fit, always check with dealer when obtaining new accessories. Use only approved accessories on load carriers. Using other brands will void your warranty.
- Make sure all knobs, bolts, screws, straps, and locks are firmly attached, tightened and locked before every trip. Knobs, bolts, screws, straps, and locks must be periodically inspected for signs of wear, corrosion, and fatigue. Check your load at stops during the trip to insure continued fastening security.
- Check local and state laws governing projection of objects beyond the width of a vehicle. **Be aware of the width and height of your cargo since low clearance branches, bridges, and parking garages can affect the load** All cargo will affect the vehicle's driving behavior. Never drive with any lock, knob, or rack in an open or unlocked position. All long loads such as, but not limited to sailboards, surfboards, kayaks, canoes, and lumber must be tied down front and rear to the bumpers or tow hooks, of the vehicle.
- Remove your rack accessories when they are not in use, before entering car washes, prior to taking in your vehicle for service, and whenever clearance may be an issue.
- All locks must be turned and moved periodically to insure smooth operation. Use graphite or similar dry lubricant to help this. Locks are designed to deter vandalism and theft. Remove valuable gear if your vehicle is unattended for an extended period. Place at least one key in the glove compartment.
- For safety to your vehicle and rack system, obey all posted speed limits and traffic cautions. Adapt your speed to the conditions of the road and the load being carried.
- Do not use load carriers and accessories for purposes other than those for which they were designed. Do not exceed their carrying capacity.
- Consult with your dealer if you have any questions regarding the operations and limits of this product. Review all instructions carefully.

GOBI HUMMER H1 LADDER INSTALLATION INSTRUCTIONS

Included in kit

Letter	Description	Location	Quantity
A	GOBI HUMMER H1 LADDER	Main box	1
B	"C" CLAMP	Main box	1
C	LADDER HANGER BRACKET	Main box	1
D	CONTENTS: 4 5/16" - 18 x 1-1/4" Button Head Screw 8- 5/16" Flat Washer SS 4 5/16" Lock Washer SS 4 5/16" Lock Nut SS	BAG #1	1



GOBI HUMMER H1 LADDER INSTALLATION INSTRUCTIONS

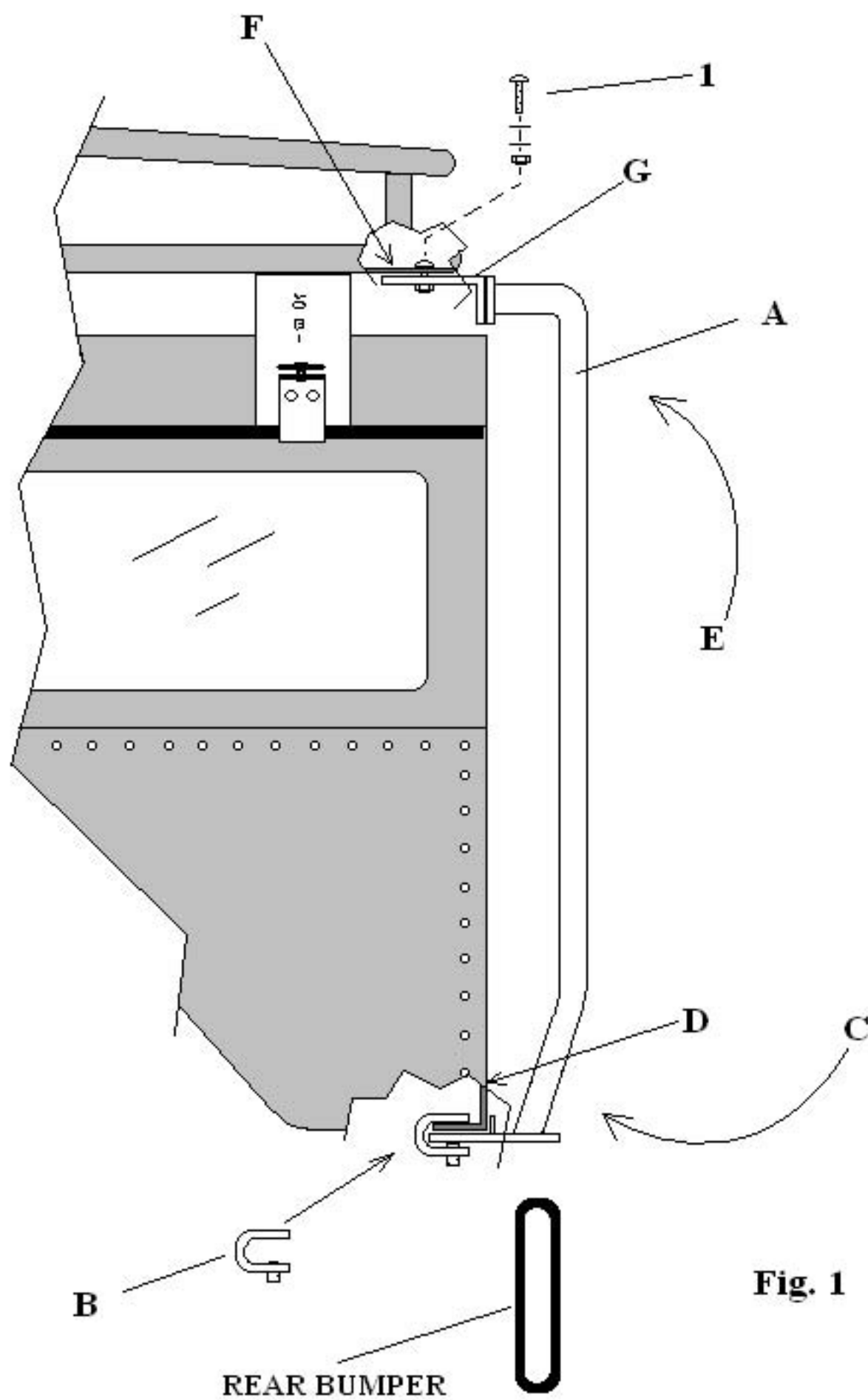


Fig. 1

GOBI HUMMER H1 LADDER INSTALLATION INSTRUCTIONS

The Gobi ladder must be inspected before each use to make certain attachments are secure, and for evidence of Wear. Misuse of the ladder or failure to observe the manufacturer's instructions as to installation, proper Attachment and maintenance will void any warranties that may be implied by law.

INSTALLATION INSTRUCTIONS:

- 1- Gobi roof rack must be in place on vehicle prior to installation of Gobi H1 ladder.
- 2- Start by contacting the lower end of the ladder "C" against the bottom of the vehicle body "D" as shown in Fig. 1 page 3 and Fig. 2 page 4. Then slide the upper end of the ladder in direction "E" as shown in Fig. 1 page 3 under the Gobi rack rear light bar "F". Attach screws #1 Fig. 1 page 3 and Fig. 2 page 4 through the top of rear Gobi rack light bar "F" then through upper Gobi ladder bracket "G" and attach washers and lock nuts found in Plastic Bag "C" finger tighten at this time. Ladder bracket "G" is adjustable for potential variances in the vehicle body.
- 3- Place C-clamp "B" over the vehicle body and Gobi ladder as shown in Fig. 1 page 3. Keep pressure applied to the Gobi ladder against the vehicle during the tightening process of the C-clamp. Be sure the C-clamp is completely seated against the vehicle inner body and the Gobi ladder is completely seated against the vehicle outer body. Only snug down C-clamp at this time.
- 4- Line up Gobi ladder with rear vehicle outer body so that the rear tail light is visible between the ladder rails as shown in Fig. 2 page 4.
- 5- After the ladder is visually aligned with the rear of the vehicle "VERTICALLY" tighten C-clamp completely then proceed to completely tighten the upper screws #1 and adjustable bracket "G".