

GOBI HONDA ELEMENT FULL SIZE ROOF RACK INSTALLATION INSTRUCTIONS

Guidelines:

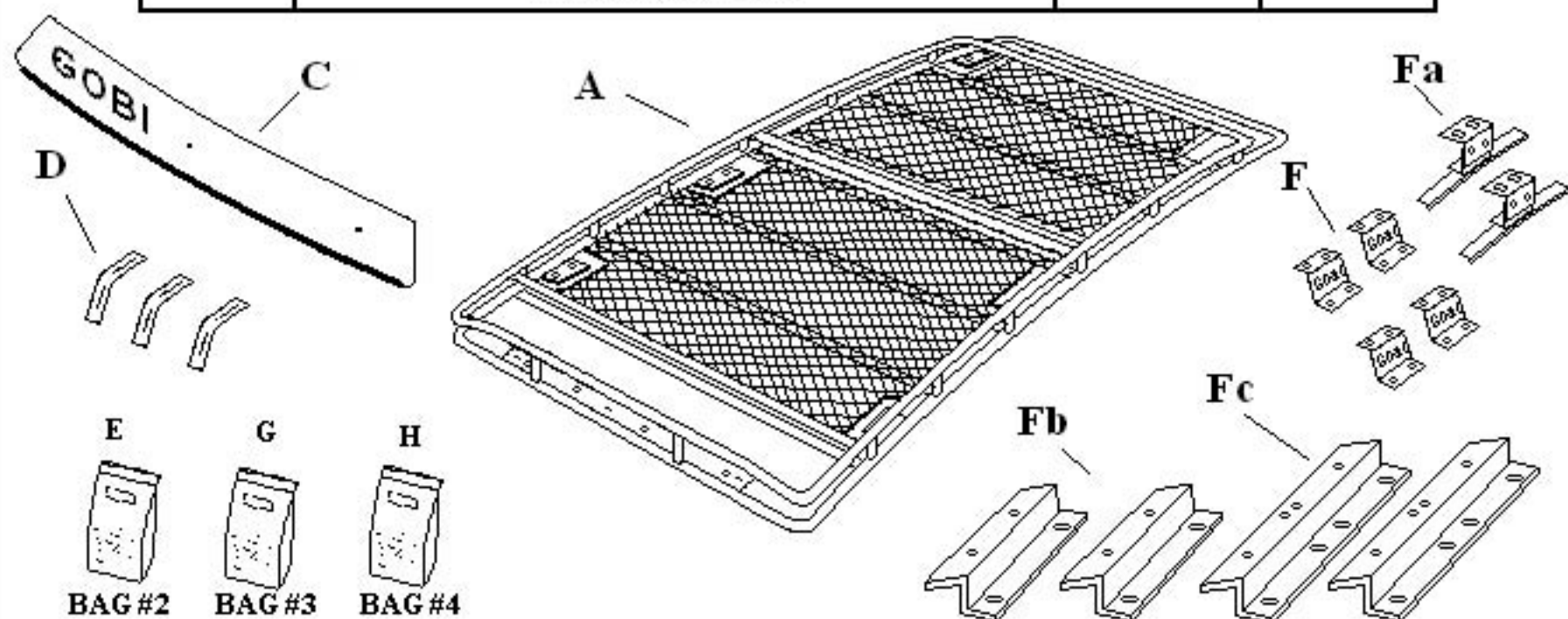
When using Load Carriers and Accessories, the user must understand the precautions. The points listed below will assist you in using the rack /carrier system and will encourage safety.

- For quality fits and safty, use only the recommended rack or accessory. Do not assume an accessory will fit, always check with dealer when obtaining new accessories. Use only approved accessories on load carriers. Using other brands will void your warrenty.
- Make sure all knobs, bolts, screws, straps, and locks are firmly attached, tightened and locked before every trip. Knobs, bolts, screws, straps, and locks must be periodically inspected for signs of wear, corrosion, and fatigue. Check your load at stops during the trip to insure continued fastening security.
- Check local and state laws governing projection of objects beyound the width of a vehicle. **Be aware of the width and height of your cargo since low clearance branches, bridges, and parking garages can affect the load** All cargo will affect the vehicle's driving behavior. Never drive with any lock, know, or rack in an open or unlocked position. All long loads such as, but not limited to sailboards, surfboards, kayaks, canoes, and lumber must be tied down front and rear to the bumpers or tow hooks, of the vehicle.
- Remove your rack accessories when they are not in use, before intering car washes, prior to taking in your vehicle for service, and whenever clearance may be an issue.
- All locks must be turned and moved periodically to insure smooth operation. Use graphite or similar dry lubricant to help this. Locks are designed to deter vandalism and theft. Remove valuable gear if your vehicle is unattended for an extended period. Place at least one key in the glove compartment.
- For safety to your vehicle and rack system, obey all posted speed limits and traffic cautions. Adapt your speed to the conditions of the road and the load being carried.
- Do not use load carriers and accessories for purposes other than those for which they were designed. Do not exceed their carrying capacity.
- Consult with your dealer if you have any questions regarding the operations and limits of this product. Review all instructions carefully.

GOBI HONDA ELEMENT FULL SIZE ROOF RACK INSTALLATION INSTRUCTIONS

Included in kit

Letter	Description	Location	Quantity
A	GOBI HONDA ELEMENT FULL SIZE ROOF RACK	Main box	1
B	FAIRING RUBBER PROTECTIVE STRIP	pre-assembled	1
C	FAIRING	banded to rack	1
D	FAIRING BRACKETS (pre-assembled to fairing)	pre-assembled	3
E	FAIRING MOUNTING HARDWARD CONTENTS: 3- 1/4-20x1 Button head screw SS 6- 1/4" Black nylon washer 3- 1/4-20 Nylok nut	BAG #2 Hardware Box	1
F/Fa	GOBI RACK SUPPORT BRACKETS	Hardware Box	6
Fb/Fc	GOBI ROOF TOP SUB MOUNTING SUPPORTS	Hardware Box	4
G	GOBI ROOF TOP MOUNTING HARDWARE CONTENTS: 10- 5/16-18 x 3/4" SS Button Head Screws 10- 5/16 SS Lock washers 10- 5/16 SS Flat washers 1- 3/16" Allen wrench Inside Bag #3 — 8- M6 x 20mm SS Button Head Screws 8- 1/4" SS Lock washers 8- 5/16 SS Flat washers 1- M4 Metric Allen wrench	BAG #3 Hardware Box	1
H	GOBI RACK SUPPORT BRACKET HARDWARE CONTENTS: 12- 3/8 -16 x 1" SS Hex Bolt 24- 3/8 SS Flat washers 12- 3/8 Nylock nuts 6- Rubber pads black	BAG #4 Hardware Box	1



GOBI HONDA ELEMENT FULL SIZE ROOF RACK INSTALLATION INSTRUCTIONS

The rack must be inspected before each use to make certain attachments are secure, and for evidence of Wear. Misuse of the rack or failure to observe the manufacturer's instructions as to installation, proper Attachment and maintenance will void any warranties that may be implied by law.

INSTALLATION INSTRUCTIONS:

- 1- Read all instructions carefully prior to install.
- 2- Prior to install use the hardware list on page 2 of the Gobi instruction manual to verify that all hardware is present.
- 3- Refer to page 5 Fig. 1 remove the 4 plastic roof trim covers (1) concealing the roof top sub mounting attachment points (2) as shown in Fig. 2a.
- 4- Refer to page 2 remove all 4 Gobi roof top sub mounting brackets (Fb) and (Fc) along with hardware bag #3 supplied with your hardware kit.
- 5- Refer to page 5 Fig. 2 and Fig. 2a, on the roof top just above the driver side door attach sub mounting bracket (Fb) as shown using metric screws, lock washer and flat washer (3) located in a small bag inside main Bag #3 of your hardware kit. Align bracket (Fb) with vehicle trim and fully tighten down. Continue to rear sub mounting point (2) over rear door on the driver side as shown in Fig. 2b. Use sub mounting bracket (Fc) and mount as shown to sub mounting plate (2) on roof top just above rear door. Remove metric screws, lock washer and flat washer (3) located in the small plastic bag inside Bag #3 and attach as shown in Fig. 2a. Align bracket to vehicle trim and fully tighten. Apply the same procedure to the passenger side.
- 6- Refer to page 2 and remove from your hardware kit 4 support brackets (F) and 10 - 5/16-18 x 3/4" Stainless Steel button head screws, lock washers and flat washers along with a 3/16" Allen wrench located in Bag #3 (shown as 4) on page 5 Fig. 2a. As shown on Fig. 2a and Fig. 2d attach support brackets (F) to sub bracket (Fb) using 2 - 5/16-18 x 3/4" SS Button head screws, lock washers and flat washer with the supplied 3/16" short arm Allen wrench. **Snug down at this time do not fully tighten.** Continue to the second sub bracket (Fc) just above the rear door and attach support bracket (F) to the (first and third holes counting from the front of the vehicle back) of sub mounting bracket as shown in Fig. 2b and Fig. 2c. Secure brackets (F) in place using 2 - 5/16-18 x 3/4" SS Button head screws, lock washers and flat washer with the supplied 3/16" short arm Allen wrench as shown in Fig. 2b and Fig. 2c. Snug down at this time do not fully tighten. Use a single 5/16-18 x 3/4" SS Button head screw, lock washer and flat washer to cover the last remaining open threaded screw hole in sub bracket (Fc) as shown in Fig. 2c. Apply the same procedure to the passenger side.
- 7- Refer to page 6 Fig. 4 with the help of no less than 3 persons lift Gobi roof rack (A) onto the vehicle's roof top and align the roof racks welded in flanges (5) onto the 4 Gobi support brackets (F) previously mounted to vehicle as shown. Place rubber pad (7) between the roof rack flanges (5) and support brackets (F) and attach using the 3/8-16 x 1" hex head bolts, flat washers and nylock nuts (shown as 6) located in Bag #4 of the hardware kit. Finger tighten only at this time, do not fully tighten.
- 8- Refer to page 6 Fig. 4 and Fig. 5 remove two identical rear support brackets (Fa) from your hardware kit. Slide the rear support brackets (Fa) over the rear roof rack flanges (5) and onto the vehicles roof top outer edges (9). Please note that the long curved support plate (8) of support bracket (Fa) has a lip which must set into the gap (9) between the roof top and the plastic trim as shown if Fig 5.

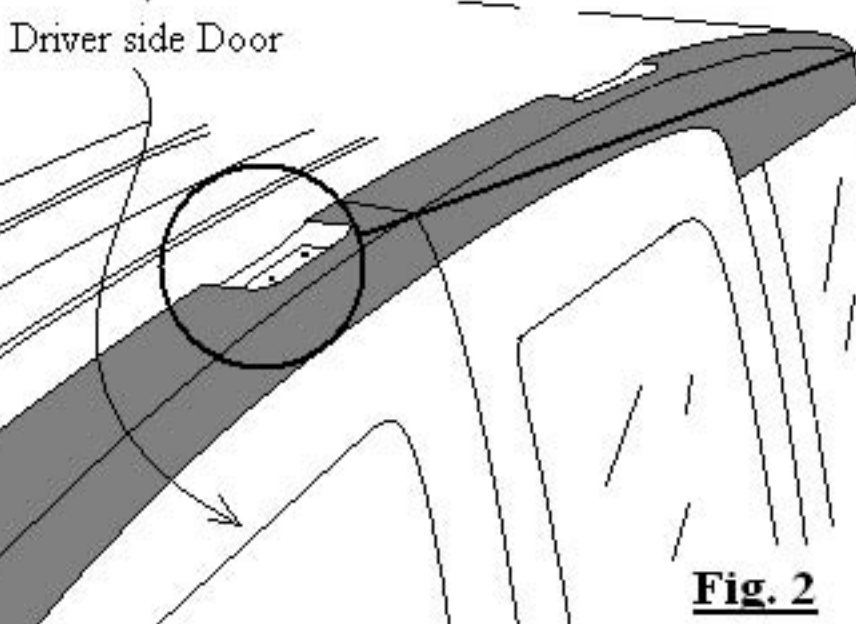
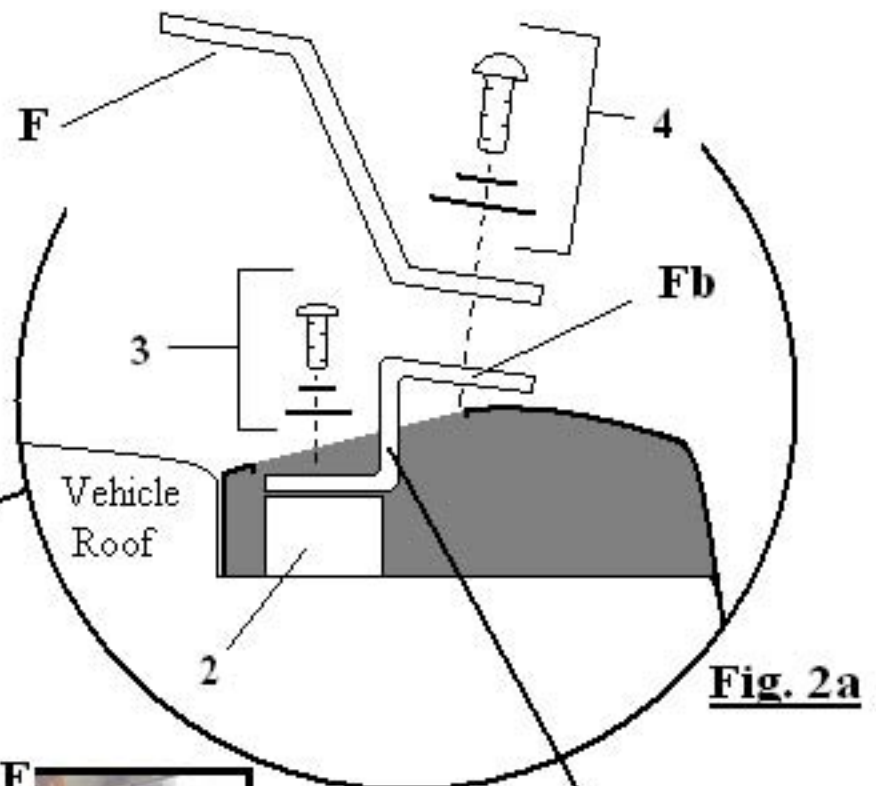
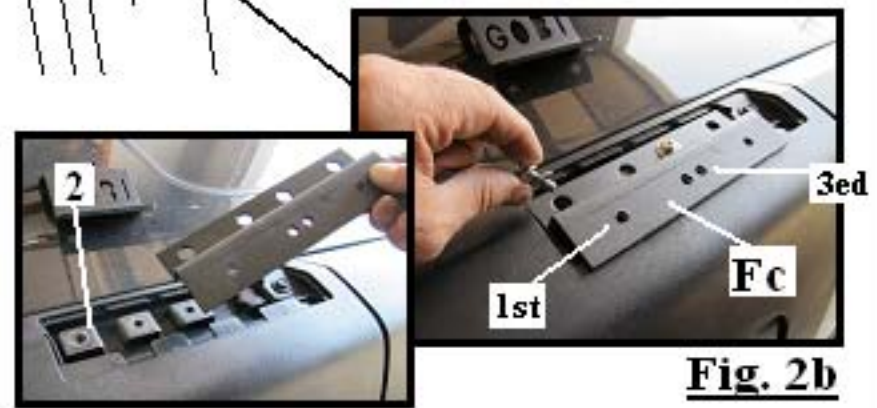
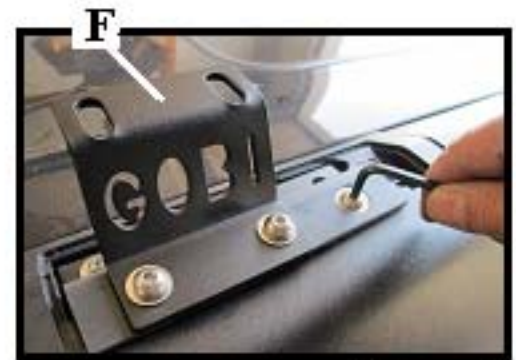
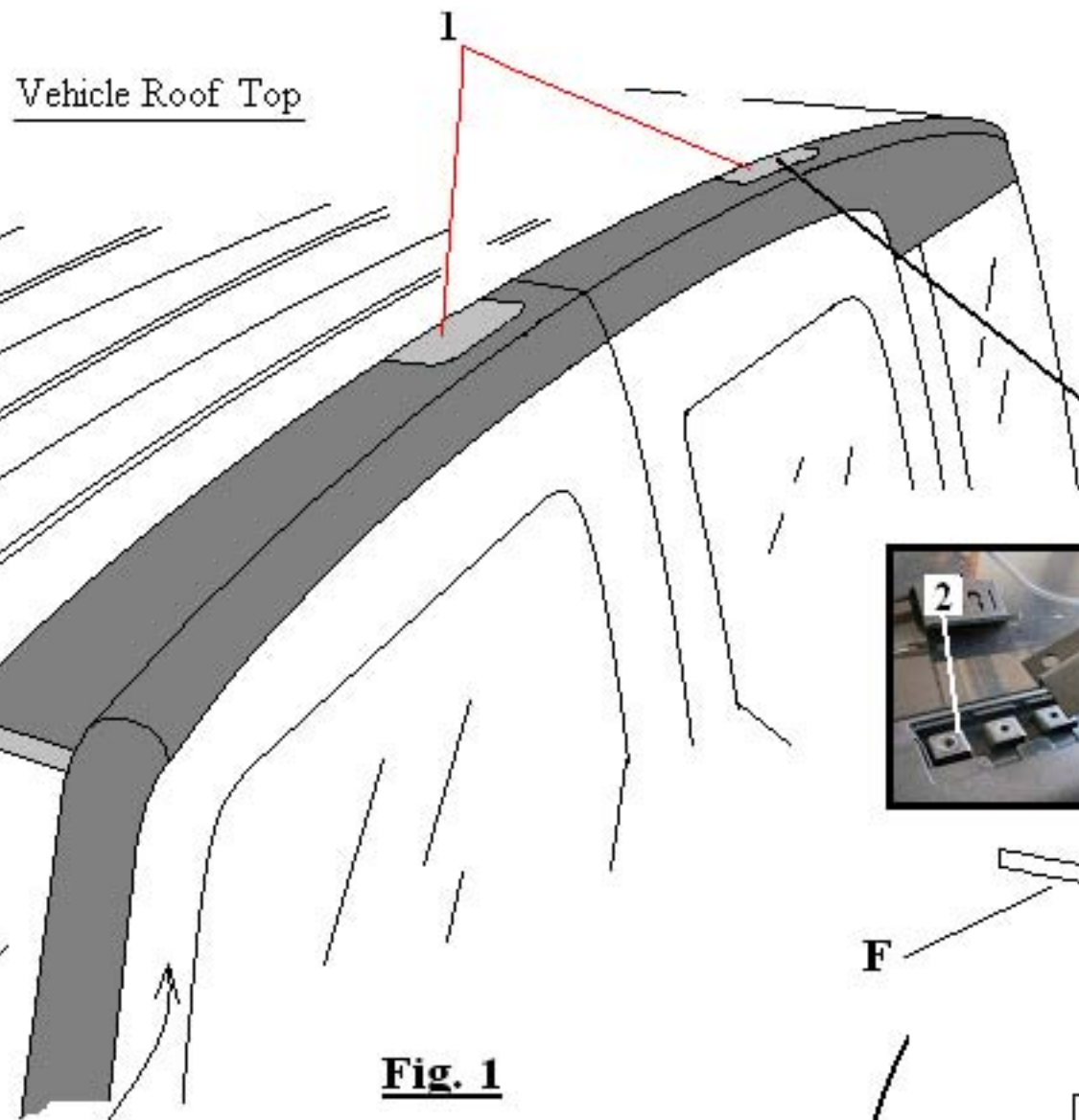
GOBI HONDA ELEMENT FULL SIZE ROOF RACK INSTALLATION INSTRUCTIONS

The rack must be inspected before each use to make certain attachments are secure, and for evidence of Wear. Misuse of the rack or failure to observe the manufacturer's instructions as to installation, proper Attachment and maintenance will void any warranties that may be implied by law.

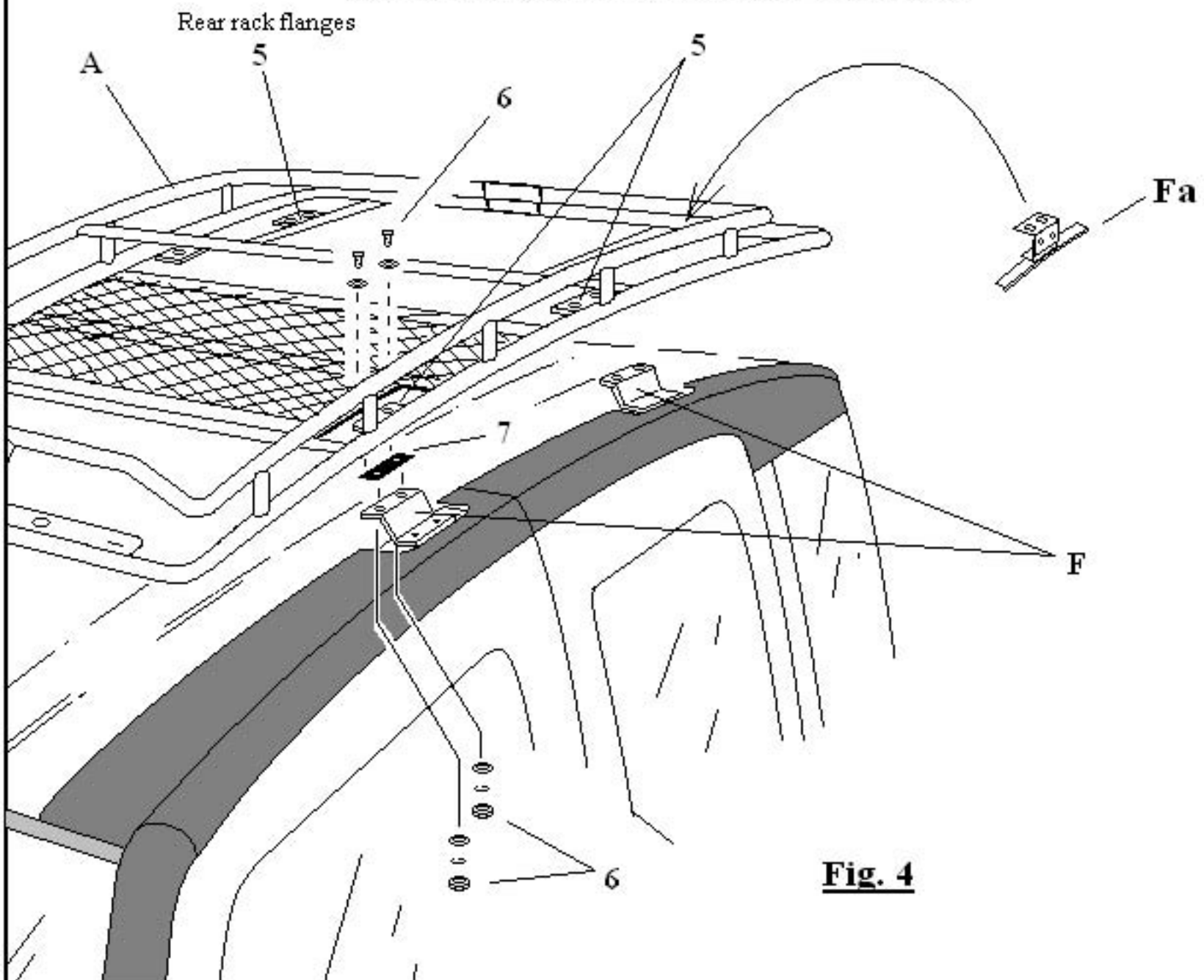
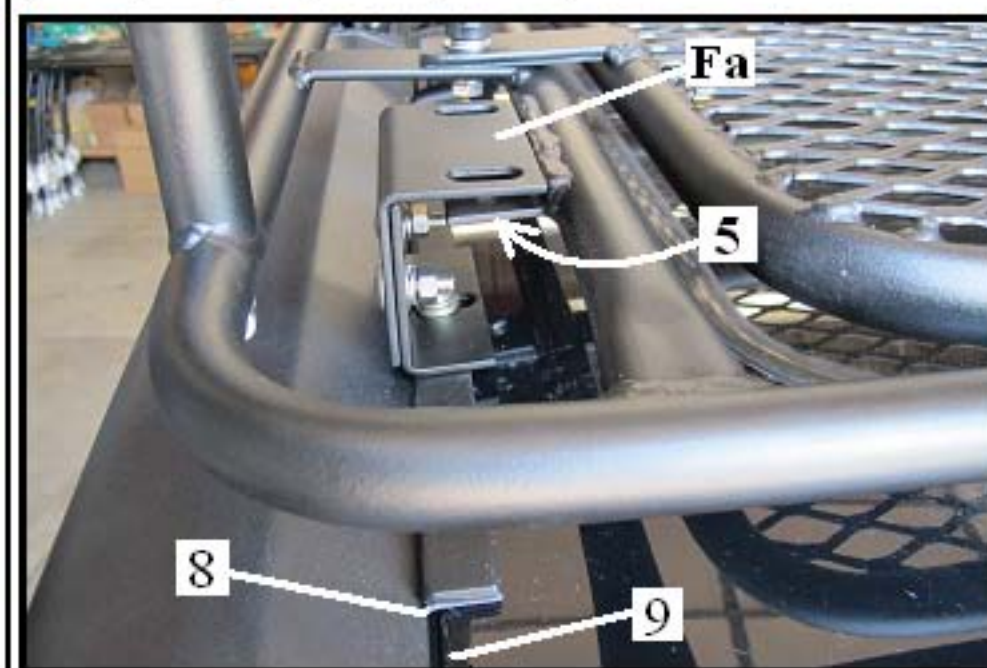
INSTALLATION INSTRUCTIONS CONTINUED:

- 9- Refer to page 7 Fig. 6 and Fig. 7 slide black rubber pad (7) between support brackets (Fa) and roof rack flanges (5) then use 2- 3/8-16 x 1" hex head bolts, flat washers and nylock nuts *shown as (6)* on Fig. 6 and Fig. 7 hardware is located in plastic Bag #4 of your parts kit. Secure brackets in place but finger tighten screws only at this time. Align both passenger and driver side rear support plates (8) of brackets (Fa) to roof top passenger and driver side edges (9) at the same time. Make certain to leave screws (10) loose to a snug fit but not tight in order to raise and lower support plate (8) during the alignment procedure. Roof rack (A) may need to be positioned towards passenger or driver side in order to align both rear support plates (8) into edges (9) of the roof top. Once alignment has been achieved fully tighten screws (6) and (8) of both support brackets (Fa) then check again for alignment if alignment is maintained continue to fully tighten all screws (6) of roof rack (A) to support brackets (F) as shown on page 6 Fig. 4.
- 10- After roof rack (A) is fully tightened and secured to support brackets (F) refer back to page 7 Fig. 6 and Fig. 7. With the help of another person lift the rear of Gobi roof rack (A) both ends one at a time approximately 1/4" from its rested position indicated by the two large arrows pointing (UP) in Fig. 6 while at the same time holding down the bottom half of rear support bracket (Fa) to roof top then fully tighten screws (10) of rear support bracket (Fa). This will provide down pressure of the roof rack onto the vehicle roof top at all times preventing any potential of rattling during transport.
- 11- Refer to page 8 Fig. 8 wind deflector (2), the wind deflector comes pre-assembled with mounting brackets attached. The position of each mounting bracket may not be fixed at the proper height for your particular roofline. Adjustments may have to be made in order for the wind deflector to form correctly to your vehicle's roofline. Begin by attaching the wind deflector's center bracket to the middle slot (5a) of the Gobi roof rack light bar (5) as shown on Fig. 8 use 1/4" screws, black nylon washers and nylock nuts supplied in Bag #2. Provide approximately a 2" gap between the wind deflector and the Gobi rack outer front tube as shown in Fig. 9a then fully tighten down in place. Proceed to either the passenger or driver side and pull the wind deflector in the direction of the arrows in Fig. 9 (F) and (G) while pushing down on the wind deflector towards the roof top at the same time. Pull each side one side at a time until the wind deflector either makes contact with the Gobi roof rack or comes in close proximity. Align wind deflector brackets (4) to the Gobi light bar wind deflector slots (5a) at the ends of the Gobi light bar (5) and insert the 1/4" SS button head screw, black nylon washer through the wind deflector bracket (4) then through the Gobi light bar slot (5a) and secure the wind deflector in place with an additional 1/4" black nylon washer and nylock nut. Proceed to the opposite side and continue mounting the wind deflector in the same manner. Make certain the wind deflector throughout its length is making contact with the roof top as snug as possible. Wind deflector mounting brackets may need to be adjusted either up or down and in some cases you may bend the wind deflector bracket to accommodate the final result. Once the wind deflector is in the proper position tighten all wind deflector screws firmly. Roof rack installation is complete.

GOBI HONDA ELEMENT FULL SIZE ROOF RACK INSTALLATION INSTRUCTIONS



GOBI HONDA ELEMENT FULL SIZE ROOF RACK INSTALLATION INSTRUCTIONS

**Fig. 4****Fig. 5**

Slide the complete rear support bracket (Fa) onto rear roof rack flange (5) and onto roof top then align support plate lip (8) into edge (9) between the roof top and plastic trim as shown.

GOBI HONDA ELEMENT FULL SIZE ROOF RACK INSTALLATION INSTRUCTIONS

REAR VIEW OF ROOF RACK POSITIONED ON VEHICLE

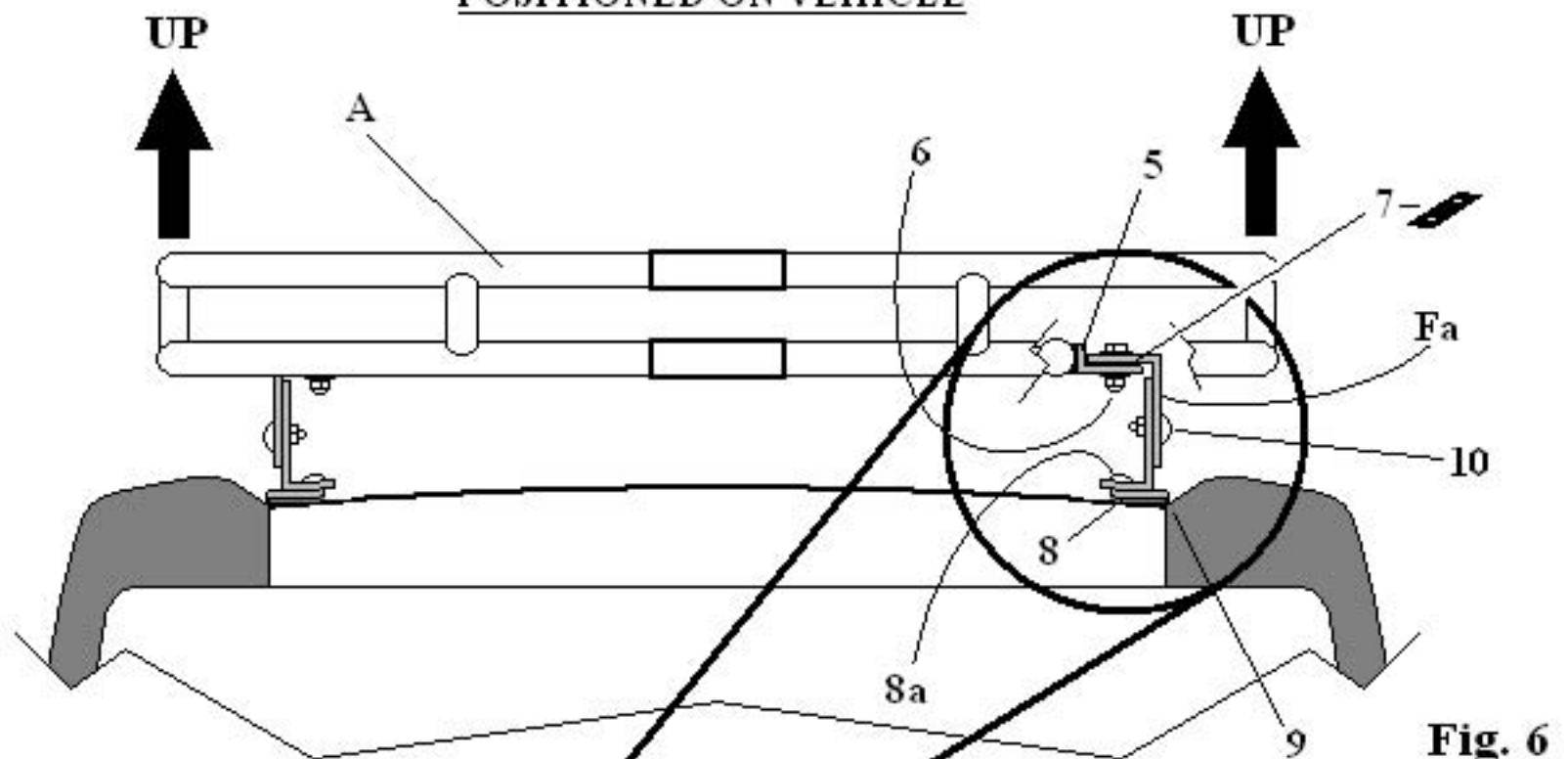
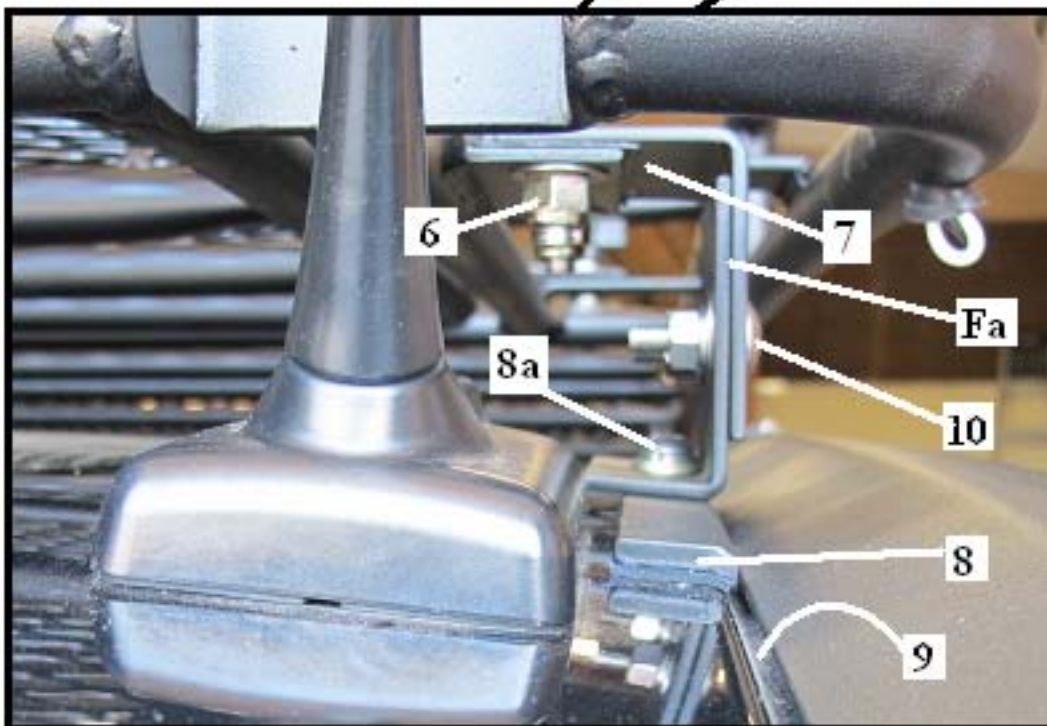
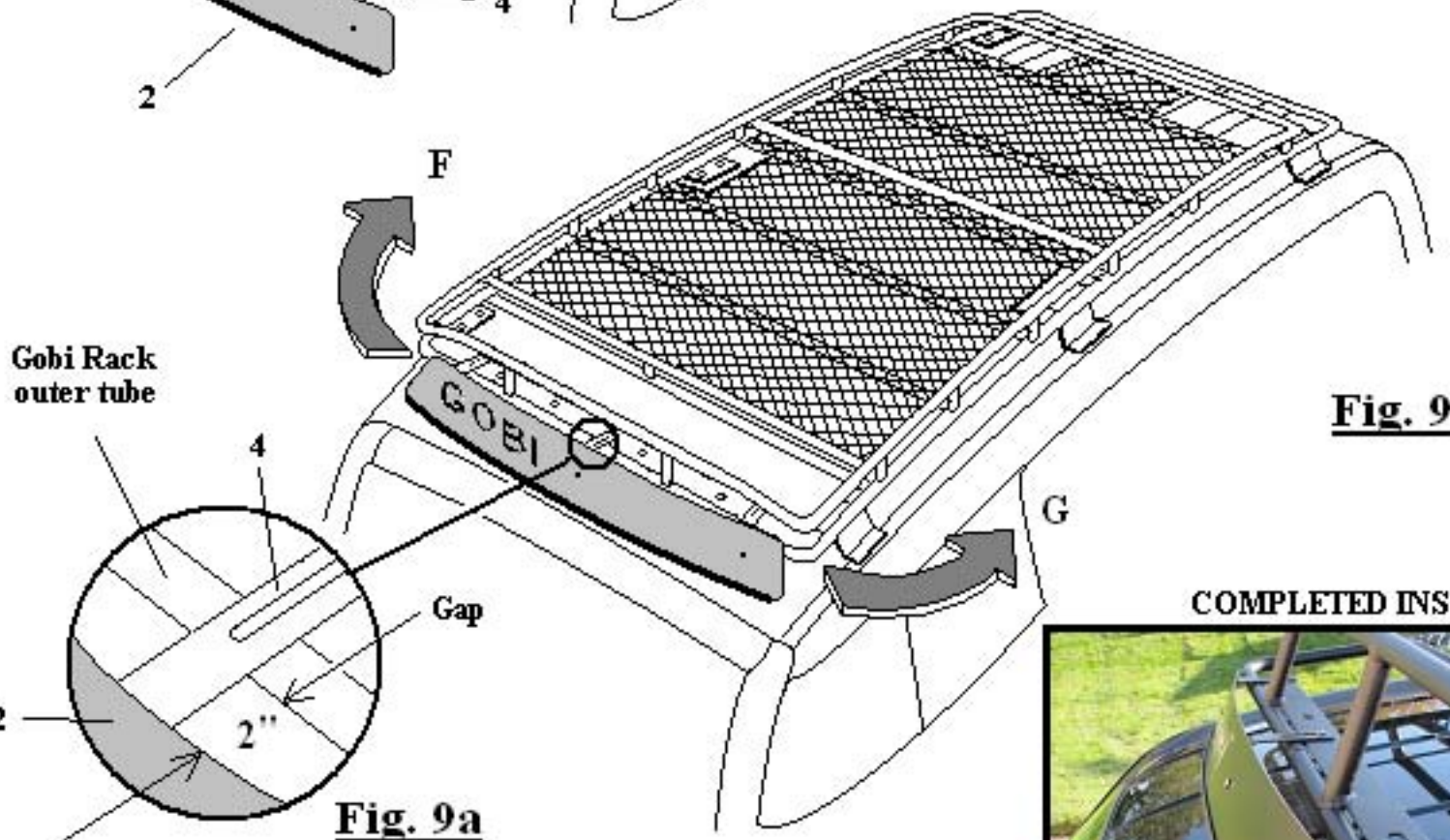
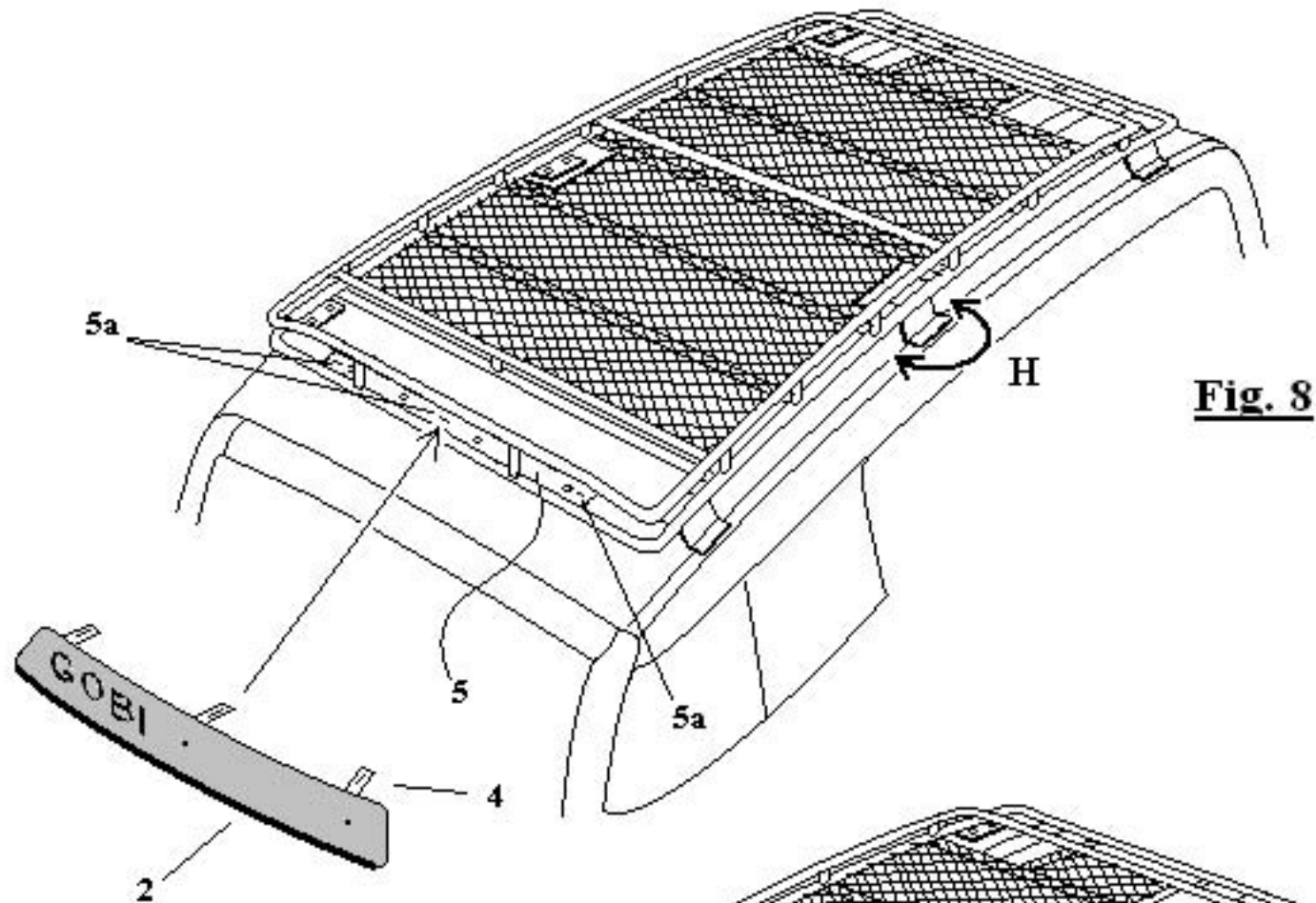
**Fig. 6**

Fig. 7

After roof rack (A) is fully tightened and secured to support brackets (F) as shown on page 6 Fig. 4 refer back to page 7 Fig. 6 and Fig. 7. With the help of another person lift the rear of Gobi roof rack (A) both ends one at a time approximately $\frac{1}{4}$ " from its rested position indicated by the two large arrows pointing (UP) in Fig. 6 while at the same time holding down the bottom half of rear support bracket (Fa) to roof top then fully tighten screws (10) of rear support bracket (Fa). This will provide down pressure of the roof rack onto the vehicle roof top at all times preventing any potential of rattling during transport.



GOBI HONDA ELEMENT FULL SIZE ROOF RACK INSTALLATION INSTRUCTIONS



COMPLETED INSTALL

