

GOBI HUMMER H1 HARDTOP 4 DOOR ROOF RACK INSTALLATION INSTRUCTIONS

Guidelines:

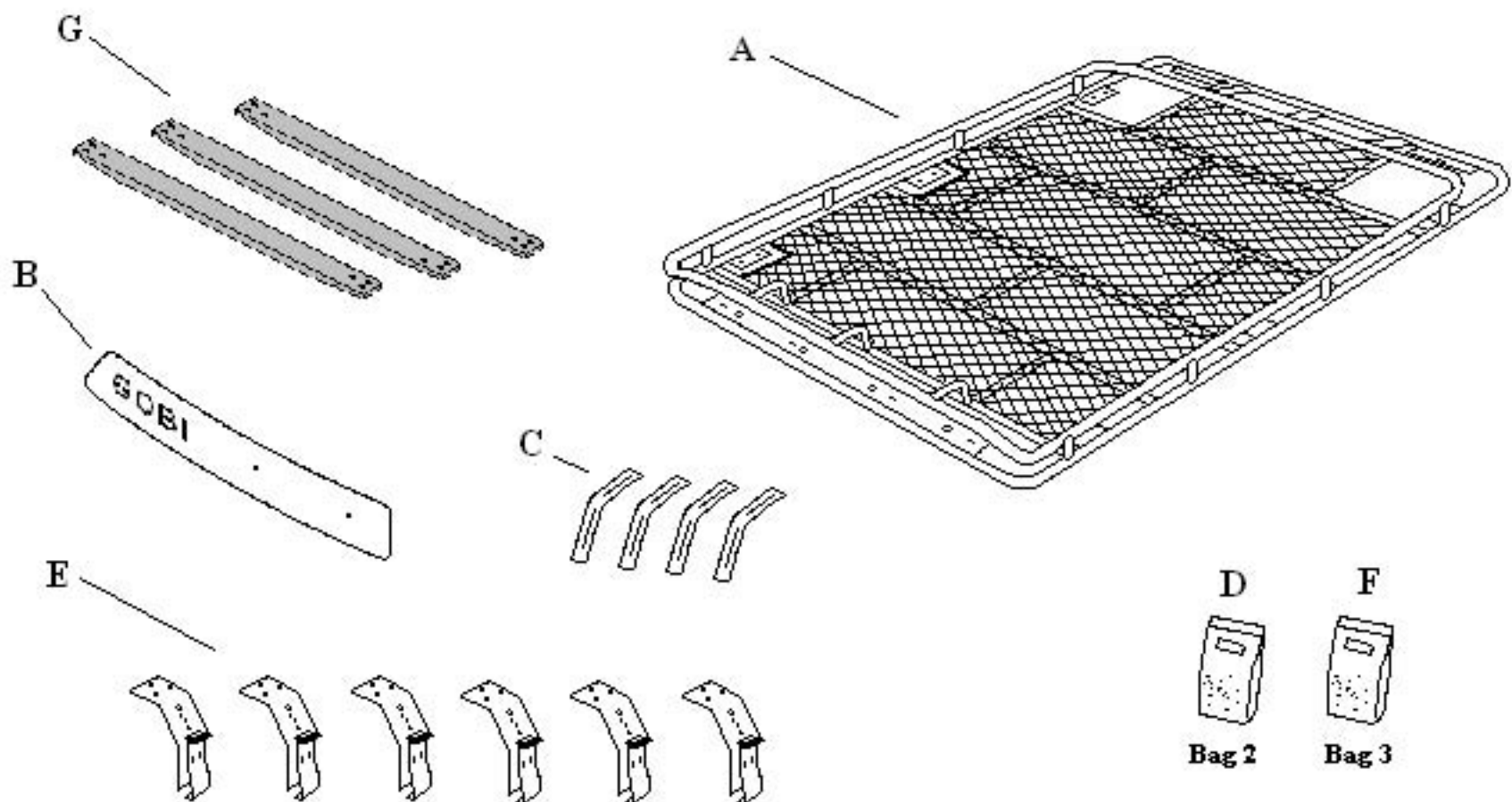
When using Load Carriers and Accessories, the user must understand the precautions. The points listed below will assist you in using the rack /carrier system and will encourage safety.

- For quality fits and safty, use only the recommended rack or accessory. Do not assume an accessory will fit, always check with dealer when obtaining new accessories. Use only approved accessories on load carriers. Using other brands will void your warrenty.
- Make sure all knobs, bolts, screws, straps, and locks are firmly attached, tightened and locked before every trip. Knobs, bolts, screws, straps, and locks must be periodically inspected for signs of wear, corrosion, and fatigue. Check your load at stops during the trip to insure continued fastening security.
- Check local and state laws governing projection of objects beyound the width of a vehicle. **Be aware of the width and height of your cargo since low clearance branches, bridges, and parking garages can affect the load** All cargo will affect the vehicle's driving behavior. Never drive with any lock, know, or rack in an open or unlocked position. All long loads such as, but not limited to sailboards, surfboards, kayaks, canoes, and lumber must be tied down front and rear to the bumpers or tow hooks, of the vehicle.
- Remove your rack accessories when they are not in use, before intering car washes, prior to taking in your vehicle for service, and whenever clearance may be an issue.
- All locks must be turned and moved periodically to insure smooth operation. Use graphite or similar dry lubricant to help this. Locks are designed to deter vandalism and theft. Remove valuable gear if your vehicle is unattended for an extended period. Place at least one key in the glove compartment.
- For safety to your vehicle and rack system, obey all posted speed limits and traffic cautions. Adapt your speed to the conditions of the road and the load being carried.
- Do not use load carriers and accessories for purposes other than those for which they were designed. Do not exceed their carrying capacity.
- Consult with your dealer if you have any questions regarding the operations and limits of this product. Review all instructions carefully.

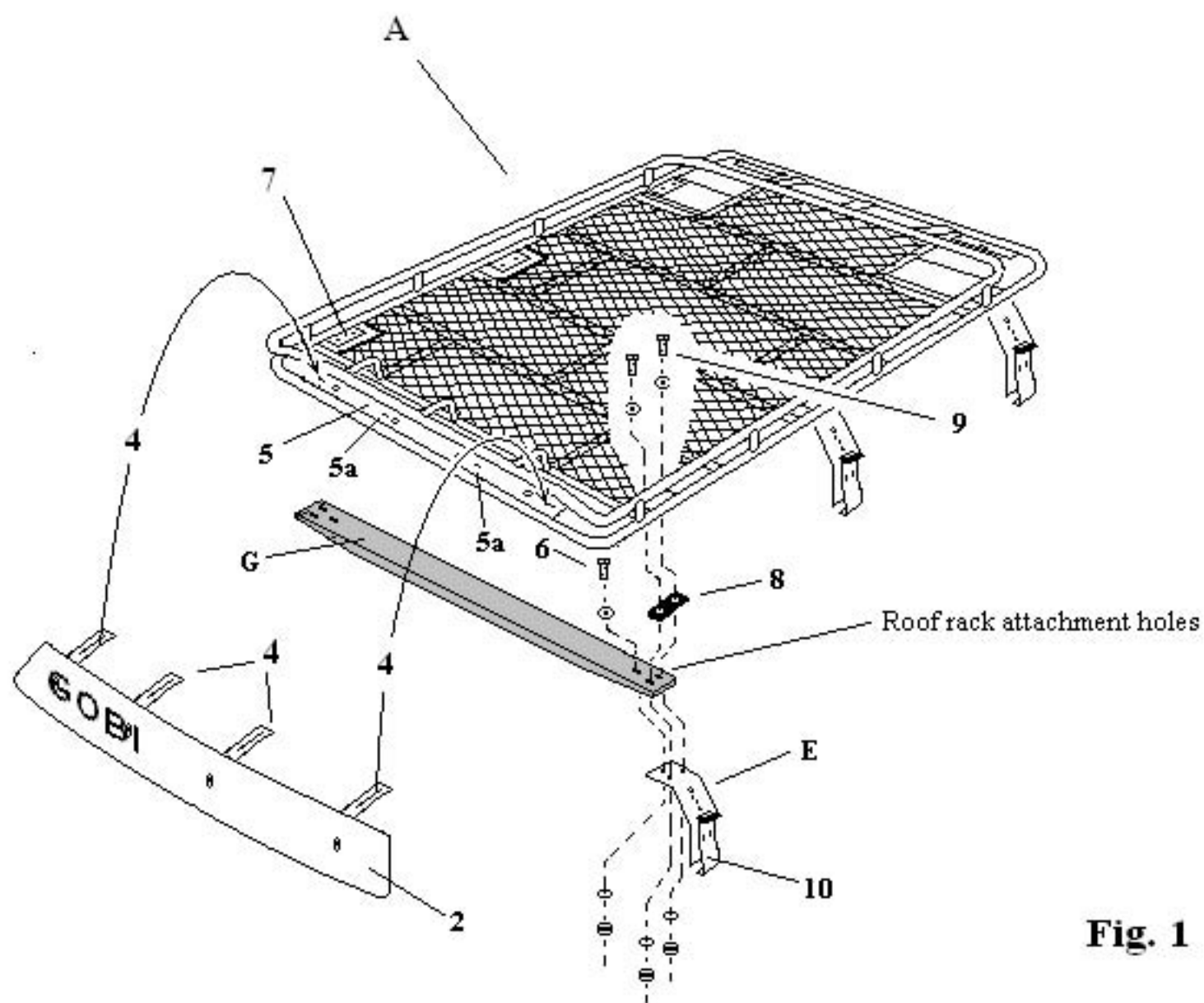
GOBI HUMMER H1 HARDTOP 4 DOOR ROOF RACK INSTALLATION INSTRUCTIONS

Included in kit

Letter	Description	Location	Quantity
A	GOBI H1 HARD TOP 4 DOOR ROOF RACK	Main box	1
B	WIND DEFLECTOR	banded to rack	1
C	WIND DEFLECTOR BRACKETS (pre-assembled)	pre-assembled	4
D	WIND DEFLECTOR HARDWARE CONTENTS: 4 1/4-20x1 Button head screw SS 8- 1/4" Black Nylon flat washer 4 1/4-20 Zinc Nylok nut	BAG #2 Hardware Box	1
E	GOBI SUPPORT BRACKETS	Hardware Box	6
F	GOBI SUPPORT BRACKET HARDWARE CONTENTS: 18- 3/8-16 x 1-1/4" stainless steel hex bolt 36- 3/8" stainless steel washer 18- 3/8" Nylok lock nut 6- rubber pad black	BAG #3 Hardware Box	1
G	GOBI CROSS BARS	banded to rack	3



GOBI HUMMER H1 HARDTOP 4 DOOR ROOF RACK INSTALLATION INSTRUCTIONS



GOBI HUMMER H1 ROOF RACK INSTALLATION INSTRUCTIONS

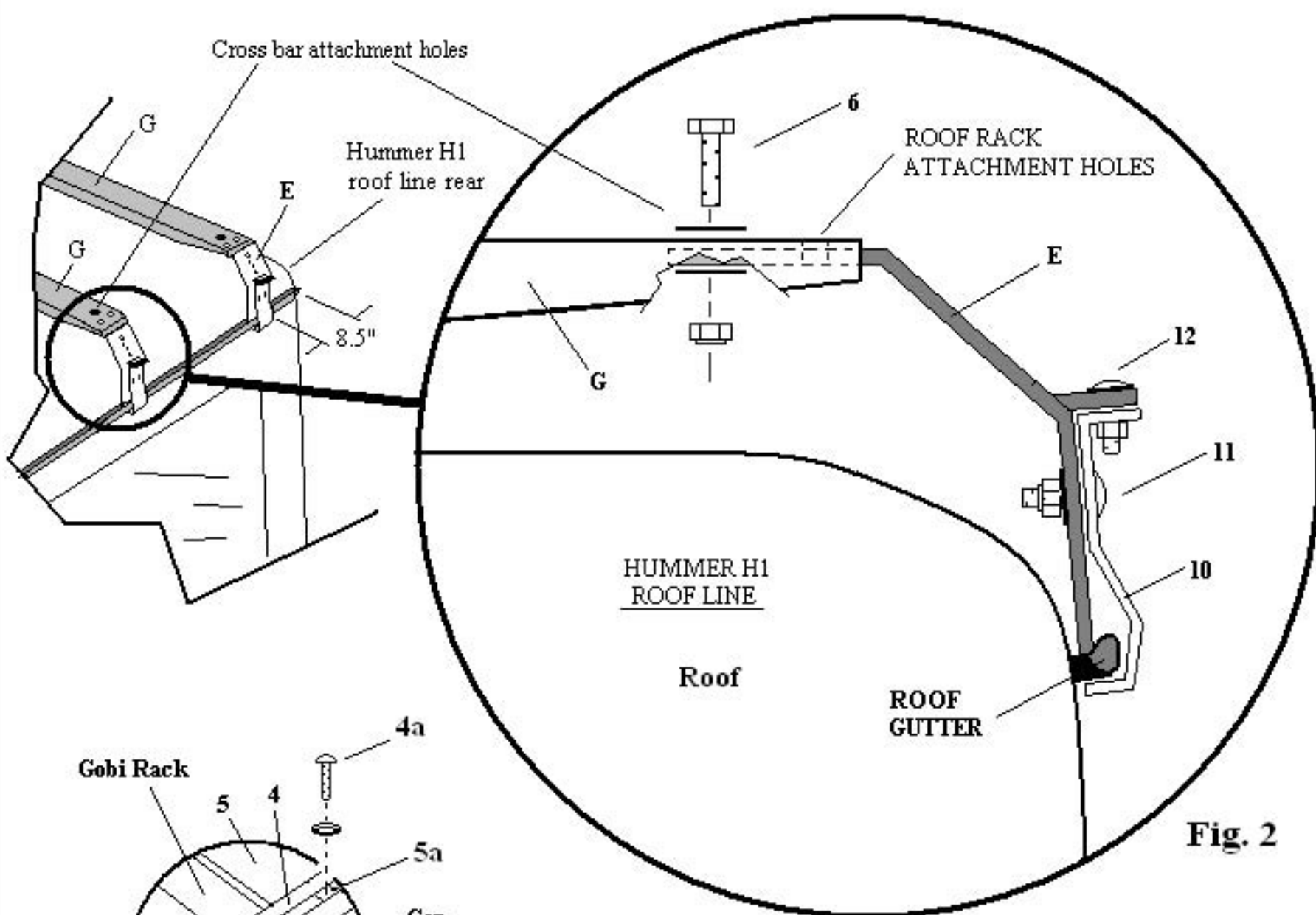


Fig. 2

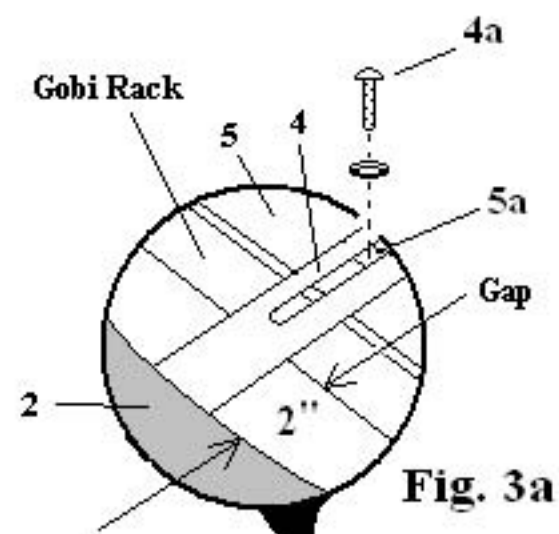


Fig. 3a

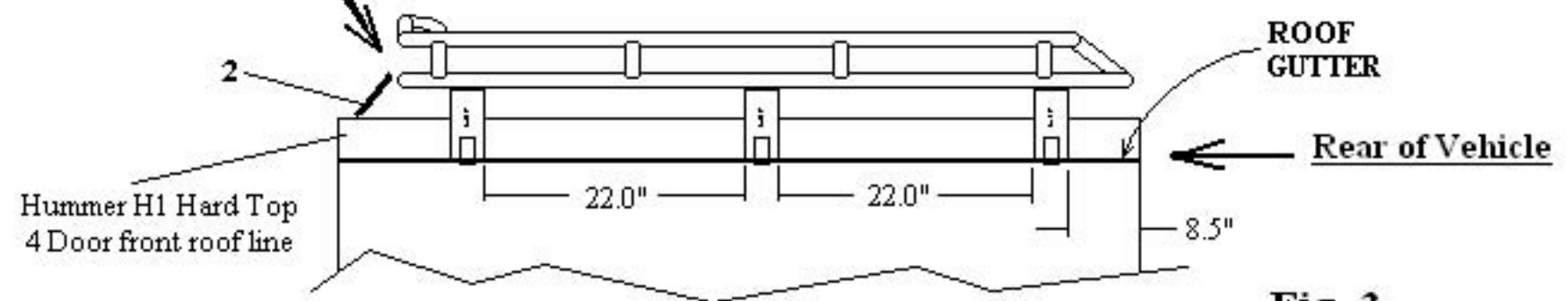


Fig. 3

GOBI HUMMER H1 HARDTOP 4 DOOR ROOF RACK INSTALLATION INSTRUCTIONS

The rack must be inspected before each use to make certain attachments are secure, and for evidence of Wear. Misuse of the rack or failure to observe the manufacturer's instructions as to installation, proper Attachment and maintenance will void any warranties that may be implied by law.

- 1- Read all instructions carefully and refer to page 2 and make certain all parts are accounted for prior to install.
- 2- Refer to page 3 remove all cross bars (G) banded to the roof rack and place on a flat surface.
- 3- Refer to page 4 and remove all support brackets (E) banded to roof rack. Slide support brackets (E) into the ends of each cross bar "G" as shown in Fig. 2. Also shown in Fig. 2 remove 6 of screws (6) 3/8-16 x 1-1/4" stainless steel hex head screw, 12- stainless steel 3/8" flat washers and 6- 3/8" yellow zinc nylock nuts from Bag #3 of your hardware kit. Use 1 screw and washer and insert through the holes at the ends of cross bar (G) labeled "cross bar attachment holes" and through support bracket (E) then secure in place with a stainless steel 3/8" flat washer and yellow zinc nylock nut as shown in Fig. 2. Screws are to remain snug only do not fully tighten at this time.
- 4- Refer to page 4 Fig. 3 and straddle each cross bar (G) with attached support brackets (E) over the vehicle and spread out as shown starting from the rear of the vehicle.
- 5- Refer to page 4 Fig. 2 after each cross bar (G) and support bracket (E) assembly has been installed onto the vehicle roof gutter and correctly placed secure cross bars to roof gutters by using the following procedure. First make certain that support bracket (E) is seated firmly in the roof gutter as shown in Fig. 2 then loosen screws (11) and (12) and place clamp (10) under gutter lip. Once Clamp (10) has been placed under the roof gutter snug down screw (11) so that clamp (10) can still move up and down but not out away from vehicle. Continue by tightening screw (12) pulling up clamp (10) tighten until clamp is firmly held in place. It is not necessary to fully tighten clamps only tighten enough to prevent support bracket (E) from lifting out of the roof gutter. Continue the same procedure to the remaining support brackets.
- 6- Refer to page 3 Fig. 1 and page 4 Fig. 2 and place the Gobi H1 roof rack (A) onto cross bars (G) and align each welded in flange (7) of roof rack to the ends of each cross bar (G) labeled "roof rack attachment holes". Place a rubber pad (8) supplied in Bag #3 between the roof rack and cross bar and use the remaining hardware (9) in Bag #3 to attach roof rack to cross bars (G) as shown on page 3 Fig. 1.
- 7- Refer to page 3 Fig. 1 after all screws, washers and nuts have been installed properly fully tighten all screws (9) securing Gobi rack (A) to cross bars (G) then fully tighten all screws (6) of the cross bars (G) shown on page 4 Fig. 2.
- 8- Refer to page 4 Fig. 2 and fully tighten all support bracket screws (11).

GOBI HUMMER H1 HARDTOP 4 DOOR ROOF RACK INSTALLATION INSTRUCTIONS

INSTALLATION INSTRUCTIONS CONT.

- 9- Refer to page 3 Fig. 1 place wind deflector (2) with attached support brackets (4) onto roof rack light bar (5). Align the center two wind deflector brackets (4) first onto the center two slots (5a) of roof rack light bar (5). Located in Bag # 2 of your hardware kit use 2 - ¼-20 x 1" stainless steel button head screws, black nylon washer and bright zinc nylock nuts (4a) as shown on page 4 Fig. 3a to secure brackets in place. One screw per bracket with a gap of approximately 2 inches between the wind deflector and the roof rack. Follow by securing the two end wind deflector brackets (4) onto light bar end slots (5a) as shown on page 3 Fig. 1. You will have to pull the wind deflector ends towards the roof rack to secure the wind deflector support brackets to the roof rack light bar forming a curve in the wind deflector. Use the supplied button head screws, black nylon washers and nylock nuts (4a) supplied in your hardware kit to secure in place. Provide a small gap of about ¼" between the ends of the wind deflector and the roof rack to prevent contact. Make certain after the wind deflector has been installed that the rubber seal at the bottom of the wind deflector makes full contact with the vehicle roof top. If gaps appear loosen the button head screws on the front of the wind deflector and drop the wind deflector until the rubber seal makes full contact then retighten. A picture of a fully installed wind deflector is located on page 7. Installation complete.

GOBI HUMMER H1 HARDTOP 4 DOOR ROOF RACK INSTALLATION INSTRUCTIONS

FULLY INSTALLED ROOF RACK

