

GOBI G-WAGON 4 DOOR STEALTH ROOF RACK INSTALLATION INSTRUCTIONS

Guidelines:

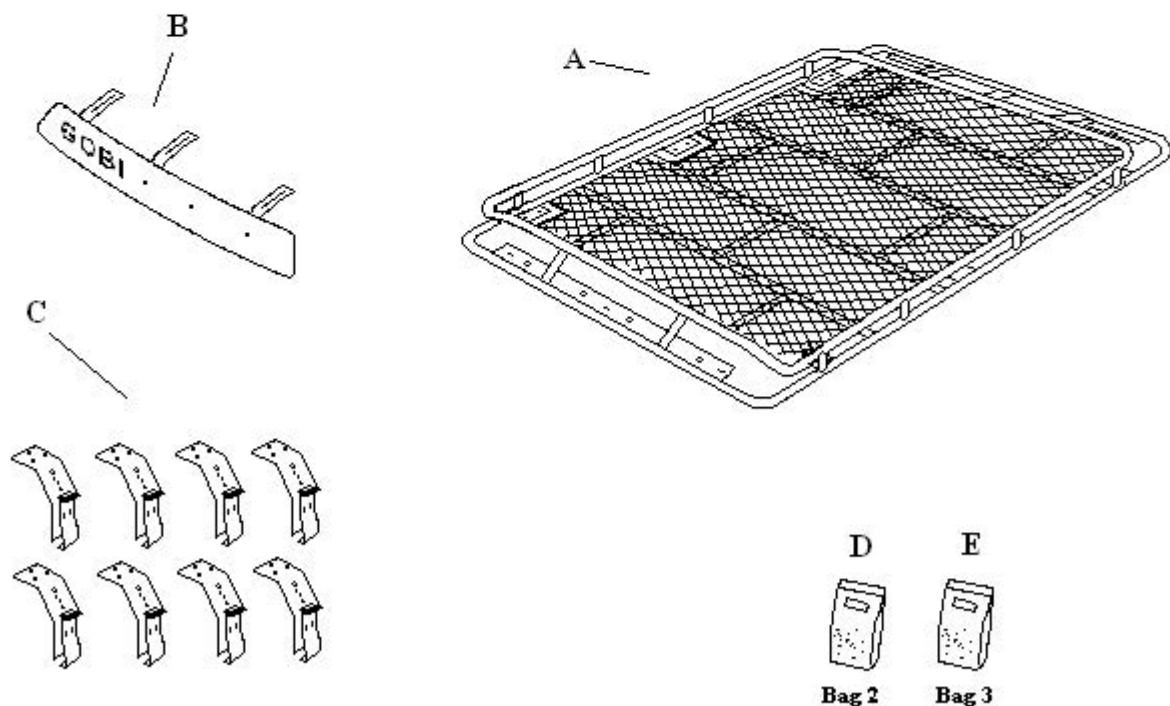
When using Load Carriers and Accessories, the user must understand the precautions. The points listed below will assist you in using the rack /carrier system and will encourage safety.

- For quality fits and safty, use only the recommended rack or accessory. Do not assume an accessory will fit, always check with dealer when obtaining new accessories. Use only approved accessories on load carriers. Using other brands will void your warrenty.
- Make sure all knobs, bolts, screws, straps, and locks are firmly attached, tightened and locked before every trip. Knobs, bolts, screws, straps, and locks must be periodically inspected for signs of wear, corrosion, and fatigue. Check your load at stops during the trip to insure continued fastening security.
- Check local and state laws governing projection of objects beyound the width of a vehicle. **Be aware of the width and height of your cargo since low clearance branches, bridges, and parking garages can affect the load** All cargo will affect the vehicle's driving behavior. Never drive with any lock, know, or rack in an open or unlocked position. All long loads such as, but not limited to sailboards, surfboards, kayaks, canoes, and lumber must be tied down front and rear to the bumpers or tow hooks, of the vehicle.
- Remove your rack accessories when they are not in use, before intering car washes, prior to taking in your vehicle for service, and whenever clearance may be an issue.
- All locks must be turned and moved periodically to insure smooth operation. Use graphite or similar dry lubricant to help this. Locks are designed to deter vandalism and theft. Remove valuable gear if your vehicle is unattended for an extended period. Place at least one key in the glove compartment.
- For safety to your vehicle and rack system, obey all posted speed limits and traffic cautions. Adapt your speed to the conditions of the road and the load being carried.
- Do not use load carriers and accessories for purposes other than those for which they were designed. Do not exceed their carrying capacity.
- Consult with your dealer if you have any questions regarding the operations and limits of this product. Review all instructions carefully.

GOBI G-WAGON 4 DOOR STEALTH ROOF RACK INSTALLATION INSTRUCTIONS

Included in kit

Letter	Description	Location	Quantity
A	GOBI G-WAGON STEALTH ROOF RACK	Main box	1
B	GOBI G-WAGON WIND DEFLECTOR (pre-assembled)	pre-assembled	1
C	GOBI G-WAGON ROOF RACK SUPPORT BRACKETS	banded to rack	8
D	GOBI WIND DEFLECTOR HARDWARE CONTENTS: 3- 1/4-20 x 1" Stainless Steel button head screw 6- 1/4" Black Nylon flat washer 3- 1/4" Stainless Steel Nylock nut	BAG #2 Hardware Box	1
E	GOBI SUPPORT BRACKET HARDWARE CONTENTS: 16- 3/8-16 X 1" Stainless Steel hex screws 32- 3/8" Stainless Steel flat washer 16- 3/8" Nylock Nut yellow zinc grade 8 8- Rubber pad black 1- Pack Anti-Seize paste	BAG #3 Hardware Box	1



GOBI G-WAGON 4 DOOR STEALTH ROOF RACK INSTALLATION INSTRUCTIONS

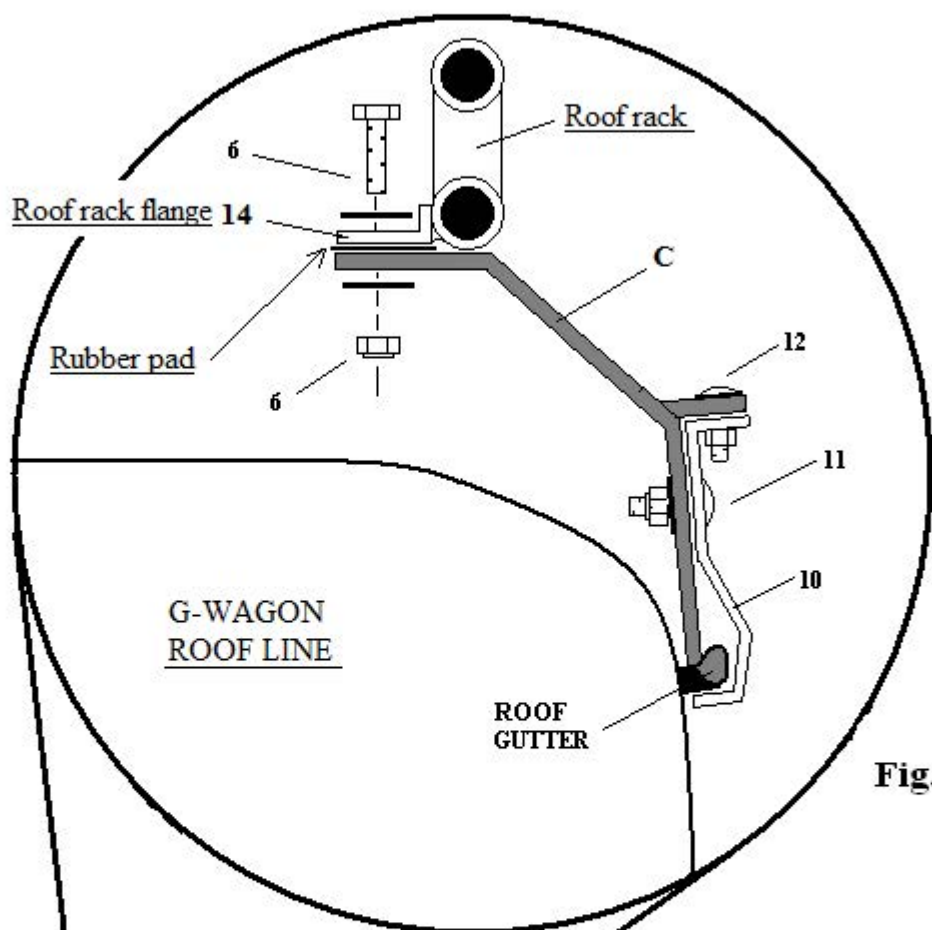


Fig. 2

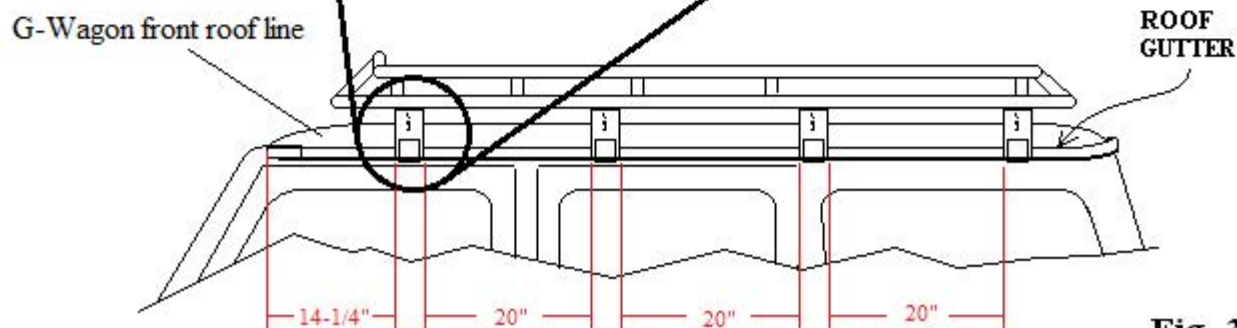
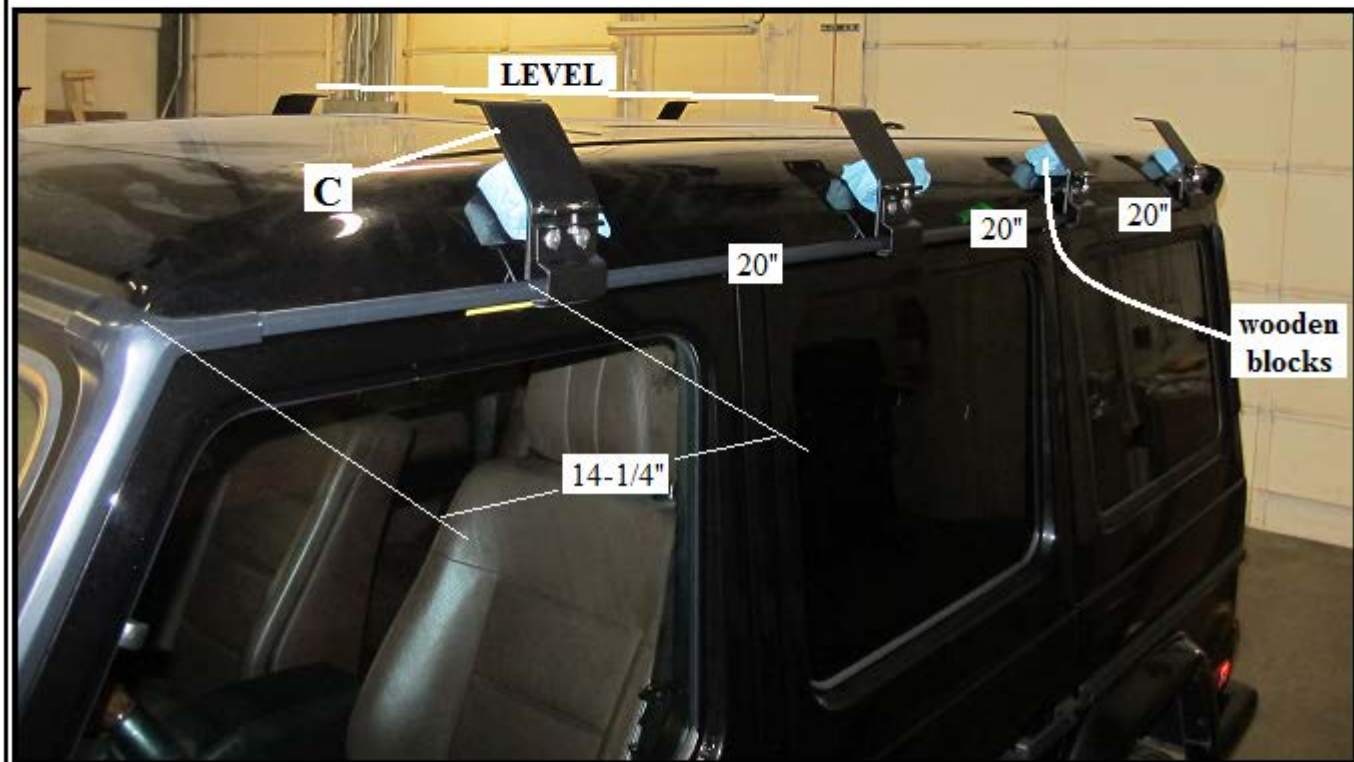


Fig. 3

GOBI G-WAGON 4 DOOR STEALTH ROOF RACK INSTALLATION INSTRUCTIONS

**Fig. 4**

STEP 1

Remove all eight roof rack support bracket assemblies (C) from your hardware box as shown on page 2 of your hardware list and install them onto the roof top gutter driver and passenger sides as shown on page 3 Fig. 2 and Fig. 3 and page 4 Fig. 4. Take a wooden 2 x 4 and cut off eight 1-1/2" x 3-1/2" blocks then wrap the blocks in paper towels or the like and set them under each roof rack support bracket assembly (C) as shown above. Try to set the top of each driver side support bracket (C) level with the opposite passenger side support bracket (C) as shown to make the final installation of the roof rack easier. The wrapped wooden blocks will support the weight of the roof rack until the final assembly of all the screws have been completed and secured. Refer to page 3 Fig. 2 prior to installing the roof rack make certain all clamps (10) are correctly placed under the vehicle gutter as shown. Start by snugging down carriage bolt (11) on clamp (10) to the point that clamp (10) has very little wiggle but not fully tightened. Begin to tighten the smaller carriage bolt (12) as shown in Fig. 2 which will pull clamp (10) upwards pinching clamp (10) and base of support bracket (C) to the gutter of the vehicle. Only snug down all clamps at this time to prevent them from moving during the rack installation, do not fully tighten.

GOBI G-WAGON 4 DOOR STEALTH ROOF RACK INSTALLATION INSTRUCTIONS



Fig. 5

STEP 2

Lift roof rack (A) over all support brackets (C) and line up with welded in roof rack flanges (14) as shown on page 3 Fig. 2 and page 5 Fig. 5 then slide between all roof rack support brackets (C) and roof rack flanges (14) a black rubber pad supplied in hardware Bag #3 of your hardware kit one for each support bracket (C). Also supplied in hardware Bag #3 is a packet of anti-seize paste place a small amount of paste on each screw to be installed on the roof rack as this will prevent any friction or galling of the screw threads preventing later removal. Refer to page 2 and remove from Bag #3 of your hardware kit all 16 3/8-16 x 1" stainless steel hex head screws, 32 3/8" stainless steel flat washers and 16 3/8" yellow zinc grade 8 nylock nuts and install them on to the roof rack and support brackets (C) as shown on page 3 Fig. 2 (6). Prior to fully tightening all screws (6) make certain that all support brackets (C) are pulled outward and aligned with the outer most edge of roof rack (A) as shown on page 3 Fig. 2. Cinch up clamp (10) tight up against the bottom of the roof rack gutter by further tightening screw (12) "but do not overtighten" then completely tighten clamp screws (11) on all support brackets (C) this will secure all clamps (10) from moving during use.

GOBI G-WAGON 4 DOOR STEALTH ROOF RACK INSTALLATION INSTRUCTIONS

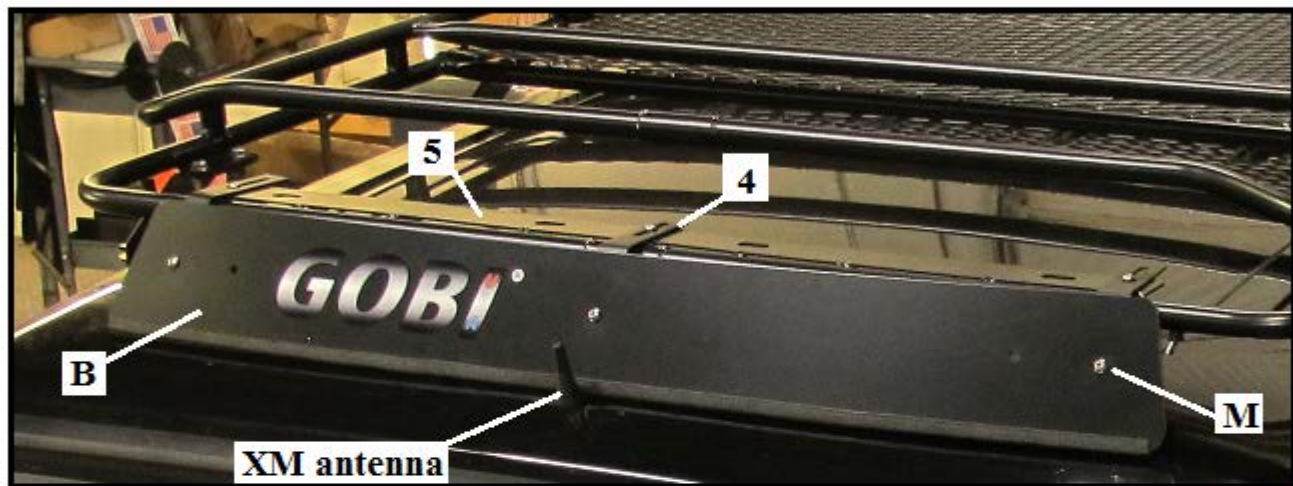


Fig. 5

STEP 3

The wind deflector comes pre assembled with all three mounting brackets (4). Place wind deflector (B) over the front of the roof rack and on top of roof rack light bar (5) and as shown if your vehicle has a forward XM antenna place the wind deflector behind the XM antenna as shown in Fig. 5 above. Use the hardware located in Bag #2 of your hardware kit and install wind deflector to light bar (5) and use the small slots located in the light bar at center and both ends. Start with the center wind deflector mounting bracket (4) and place one 1/4-20 x 5/8" stainless steel button head screw and black nylon washer through the bracket then into the light bar center slot and use a black nylon washer below with a 1/4-20 nylock nut and make certain to place anti-seize paste prior to assembly of the screws. Adjust the center bracket so that the wind deflector just sits behind the XM antenna and fully tighten down. Go to either the passenger or driver side and pull the wind deflector mounting bracket (4) to the end slot of the light bar and follow the same procedure but pull the wind deflector so that the wind deflector almost makes contact with the roof rack then fully tighten. Apply the same procedure to the opposite side and when completed the wind deflector will have a slight bow. Make certain the wind deflector is fully seated to the vehicle roof top if not loosen the wind deflector mounting screws (M) holding the wind deflector to the wind deflector mounting brackets (4) then pull the wind deflector down towards the roof top make certain the wind deflector is level and centered with the roof rack then fully tighten all screws. Roof rack installation completed.