

GOBI DODGE NITRO ROOF RACK SUN ROOF INSERT INSTALLATION INSTRUCTIONS

Guidelines:

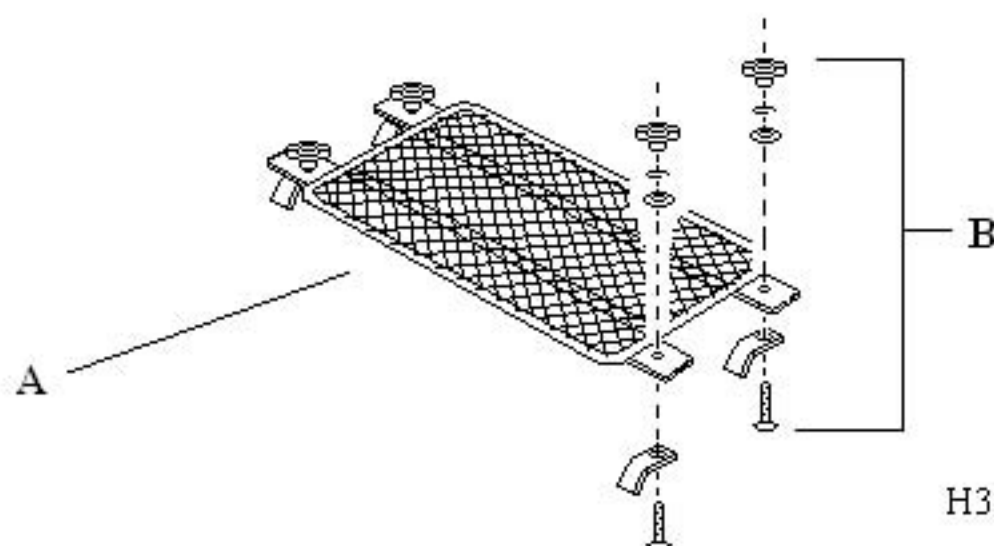
When using Load Carriers and Accessories, the user must understand the precautions. The points listed below will assist you in using the rack /carrier system and will encourage safety.

- For quality fits and safty, use only the recommended rack or accessory. Do not assume an accessory will fit, always check with dealer when obtaining new accessories. Use only approved accessories on load carriers. Using other brands will void your warrenty.
- Make sure all knobs, bolts, screws, straps, and locks are firmly attached, tightened and locked before every trip. Knobs, bolts, screws, straps, and locks must be periodically inspected for signs of wear, corrosion, and fatigue. Check your load at stops during the trip to insure continued fastening security.
- Check local and state laws governing projection of objects beyound the width of a vehicle. **Be aware of the width and height of your cargo since low clearance branches, bridges, and parking garages can affect the load** All cargo will affect the vehicle's driving behavior. Never drive with any lock, know, or rack in an open or unlocked position. All long loads such as, but not limited to sailboards, surfboards, kayaks, canoes, and lumber must be tied down front and rear to the bumpers or tow hooks, of the vehicle.
- Remove your rack accessories when they are not in use, before intering car washes, prior to taking in your vehicle for service, and whenever clearance may be an issue.
- All locks must be turned and moved periodically to insure smooth operation. Use graphite or similar dry lubricant to help this. Locks are designed to deter vandalism and theft. Remove valuable gear if your vehicle is unattended for an extended period. Place at least one key in the glove compartment.
- For safety to your vehicle and rack system, obey all posted speed limits and traffic cautions. Adapt your speed to the conditions of the road and the load being carried.
- Do not use load carriers and accessories for purposes other than those for which they were designed. Do not exceed their carrying capacity.
- Consult with your dealer if you have any questions regarding the operations and limits of this product. Review all instructions carefully.

GOBI DODGE NITRO ROOF RACK SUN ROOF INSERT INSTALLATION INSTRUCTIONS

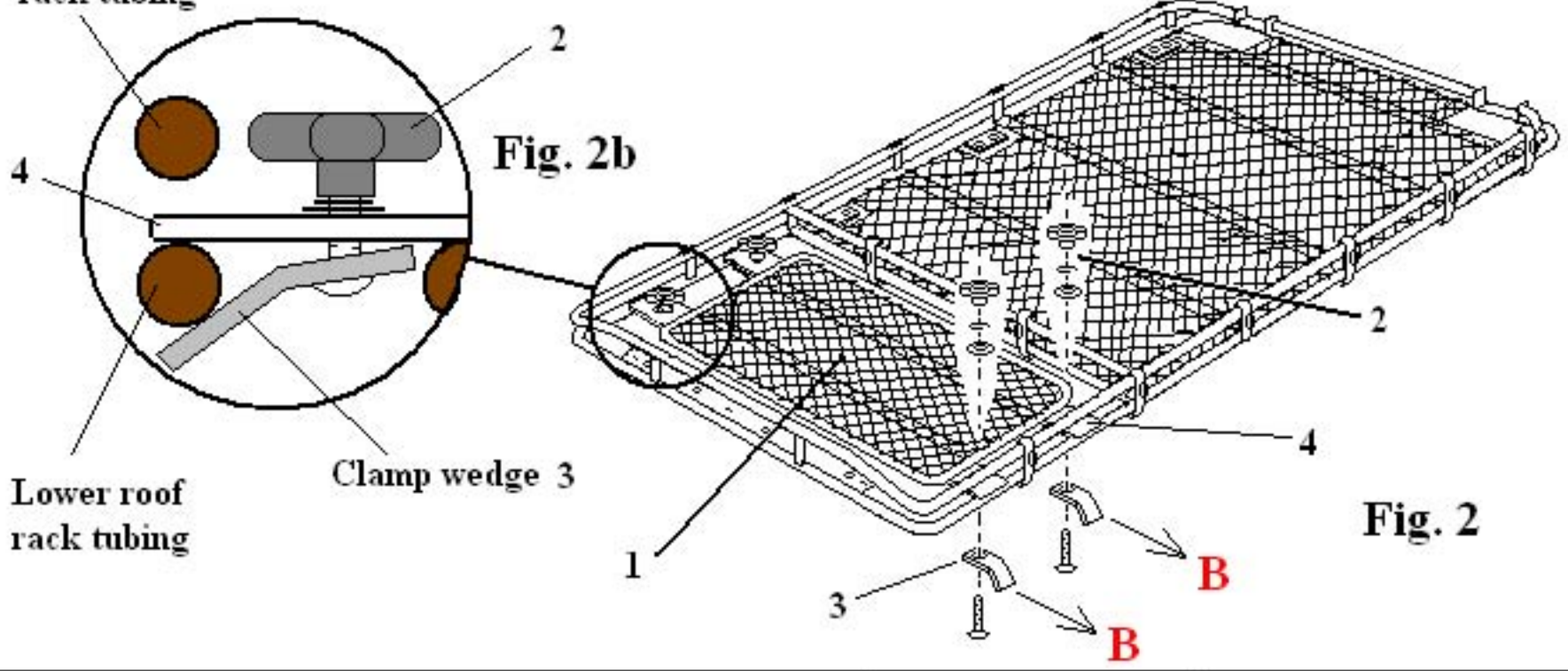
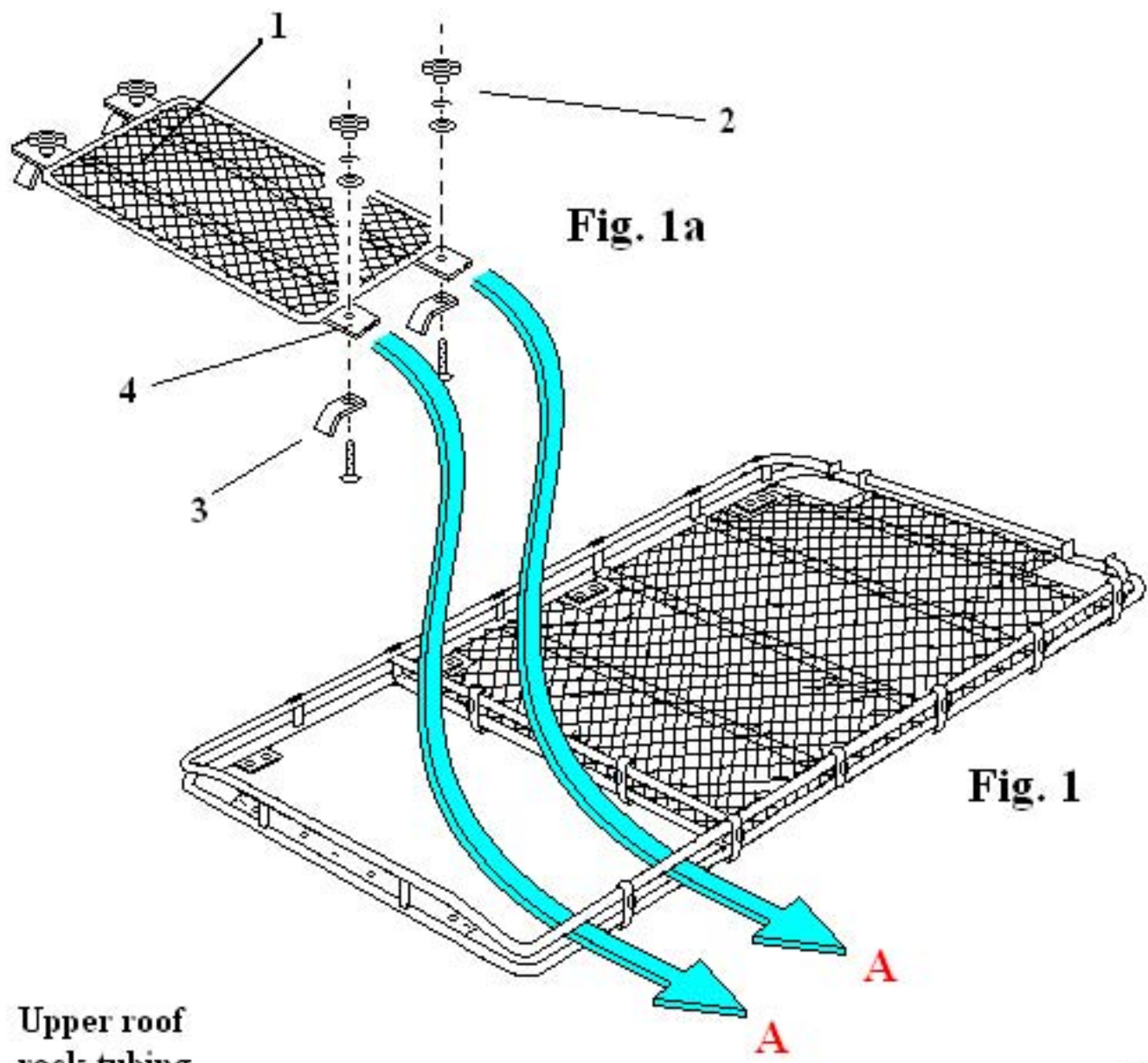
Included in kit

Letter	Description	Location	Quantity
A	GOBI DODGE NITRO ROOF RACK SUN ROOF INSERT	Main box	1
B	GOBI ROOF RACK HARDWARE CONTENTS: 4 3/8" x 1-1/2" SS Carriage bolts 4 3/8" SS Flat washers 4 3/8" SS Lock washers 4 3/8" x 2-1/4" knobs 4 Steel clamp plates	Pre-assembled to Insert	1



“CAUTION” When securing cargo to the sun roof insert make certain that cargo straps are tied to the roof rack **ONLY** and not the sun roof insert as this will insure the stability and security of the Gobi sun roof insert and cargo from accidental movement or dislodging.

GOBI DODGE NITRO ROOF RACK SUN ROOF INSERT INSTALLATION INSTRUCTIONS



GOBI DODGE NITRO ROOF RACK SUN ROOF INSERT INSTALLATION INSTRUCTIONS

Installation instructions:

- 1- Using the hardware list on page 2 check to verify that all hardware is present prior to installation.
- 2- Refer to page 3 and as shown in Fig. 1a remove from one end of the sun roof insert #1 both 3/8" plastic knobs #2, washers, lock washers and carriage bolts completely.
- 3- Refer again to page 3 Fig. 1a and make certain both the wedge clamps #3 which are still attached to the H3 sun roof insert #1 opposite end are facing sideways as shown.
- 4- Refer to page 3 Fig. 1a, Fig. 1, Fig. 2 and Fig. 2b begin by carefully sliding the flat ears #4 of the insert #1 in between the upper and lower roof rack tubing positioned over the sun roof area of the roof rack as shown using guiding arrows "A". Make certain the ears #4 are resting on the lower roof rack tubing as shown in Fig. 2 and Fig. 2b. Then slide the opposite end of the insert in between the same tubing sections but the opposing side in the same manner.
- 5- After both ears #4 are resting on the lower roof rack tubing as shown in Fig. 2 and Fig. 2b both sides equally. Place both steel wedge clamps #3 which were removed earlier back under ears #4 of the sun roof insert #1 as shown in Fig. 2 and Fig. 2b. Then using the 3/8" carriage bolts, washers, lock washers and plastic knobs #2 snug all 4 knobs making certain that the steel clamp wedges #3 are facing outward away from the sides of the vehicle and under the lower roof rack tubing as shown in Fig. 2 in the direction of arrows "B" then fully tighten all four knobs making certain that the H3 insert #1 is completely secured and clamped in place.
- 6- Check from time to time to make certain that the insert knobs #2 and wedge clamps #3 are fully clamped and tightened to the roof rack lower tubing as shown in Fig. 2b to prevent any potential dislodging of the insert causing damage to rack and vehicle.
- 7- **CAUTION** When securing cargo to the sun roof insert make certain that cargo straps are tied to the roof rack **ONLY** and not the insert as this will insure the stability and security of the Gobi sun roof insert and cargo from accidental movement or dislodging.