

GOBI 07 JEEP GRAND CHEROKEE FULL SIZE ROOF RACK INSTALLATION INSTRUCTIONS

Guidelines:

When using Load Carriers and Accessories, the user must understand the precautions. The points listed below will assist you in using the rack /carrier system and will encourage safety.

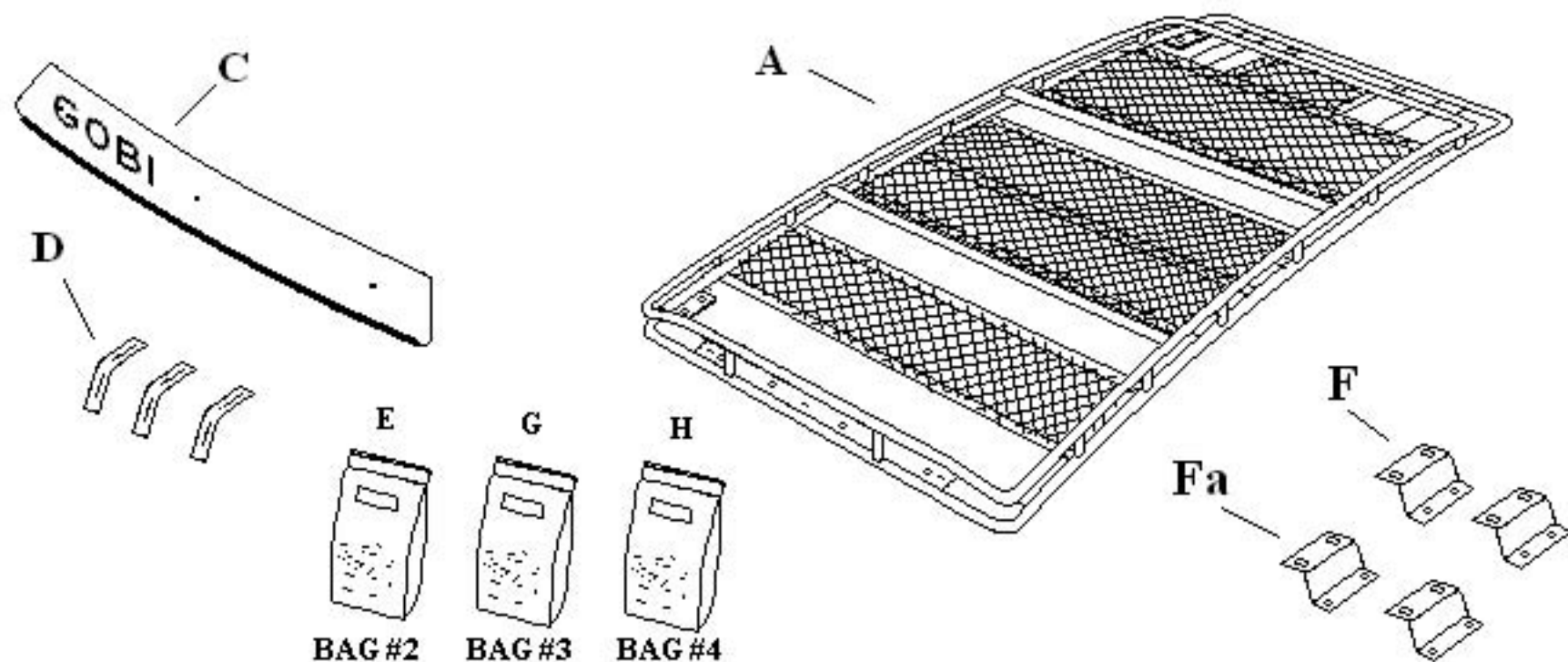
- For quality fits and safety, use only the recommended rack or accessory. Do not assume an accessory will fit, always check with dealer when obtaining new accessories. Use only approved accessories on load carriers. Using other brands will void your warranty.
- Make sure all knobs, bolts, screws, straps, and locks are firmly attached, tightened and locked before every trip. Knobs, bolts, screws, straps, and locks must be periodically inspected for signs of wear, corrosion, and fatigue. Check your load at stops during the trip to insure continued fastening security.
- Check local and state laws governing projection of objects beyond the width of a vehicle. **Be aware of the width and height of your cargo since low clearance branches, bridges, and parking garages can affect the load** All cargo will affect the vehicle's driving behavior. Never drive with any lock, knob, or rack in an open or unlocked position. All long loads such as, but not limited to sailboards, surfboards, kayaks, canoes, and lumber must be tied down front and rear to the bumpers or tow hooks, of the vehicle.
- Remove your rack accessories when they are not in use, before entering car washes, prior to taking in your vehicle for service, and whenever clearance may be an issue.
- All locks must be turned and moved periodically to insure smooth operation. Use graphite or similar dry lubricant to help this. Locks are designed to deter vandalism and theft. Remove valuable gear if your vehicle is unattended for an extended period. Place at least one key in the glove compartment.
- For safety to your vehicle and rack system, obey all posted speed limits and traffic cautions. Adapt your speed to the conditions of the road and the load being carried.
- Do not use load carriers and accessories for purposes other than those for which they were designed. Do not exceed their carrying capacity.
- Consult with your dealer if you have any questions regarding the operations and limits of this product. Review all instructions carefully.

GOBI 07 JEEP GRAND CHEROKEE FULL SIZE ROOF RACK

INSTALLATION INSTRUCTIONS

Included in kit

Letter	Description	Location	Quantity
A	GOBI JEEP GRAND CHEROKEE ROOF RACK	Main box	1
B	FAIRING RUBBER PROTECTIVE STRIP	pre-assembled	1
C	FAIRING	banded to rack	1
D	FAIRING BRACKETS (pre-assembled to fairing)	pre-assembled	3
E	FAIRING BRACKET HARDWARE CONTENTS: 3- 1/4-20x1 black zinc button bolt 6- 1/4" black washer 3- 1/4" lock washer 3- 1/4-20 wing nut	BAG #2 Hardware Box	1
F	GOBI SUPPORT BRACKETS FRONT	Hardware Box	2
Fa	GOBI SUPPORT BRACKETS REAR	Hardware Box	2
G	GOBI ROOF MOUNT BRACKET HARDWARE CONTENTS: 8- 1/4" Nylon spacer washers 8- M6 x 35mm Mounting screws 8- 1" Stainless water tight washer 1- M-4 Metric allen wrench 1- T-27 Torx wrench	BAG #3 Hardware Box	1
H	GOBI RACK BRACKET HARDWARE CONTENTS: 8- 3/8" - 16 x 1" Stainless hex bolt 16- 3/8" Stainless washer 8- 3/8" Stainless lock washer 8- 3/8" Stainless nut 4 Rubber pads black	BAG #4 Hardware Box	1



GOBI 07 JEEP GRAND CHEROKEE FULL SIZE ROOF RACK INSTALLATION INSTRUCTIONS

The rack must be inspected before each use to make certain attachments are secure, and for evidence of Wear. Misuse of the rack or failure to observe the manufacturer's instructions as to installation, proper Attachment and maintenance will void any warranties that may be implied by law.

Installation Instructions:

- 1- Using the hardware list on page 2 of the Gobi instructions manual check and verify that all hardware is present prior to installation.
- 2- Refer to page 4 Fig. 5 If your vehicle should have a plastic molding strip "A" on the vehicle roof top as shown leave in place and remove only the OEM screws #14 both ends driver and passenger sides using the T-27 Torx wrench located in Bag #3. If your vehicle has an OEM roof rack remove completely at this time using the T-27 Torx wrench located in Bag #3 of your hardware kit.
- 3- Refer to page 4 Fig. 4 and Fig. 5 if your vehicle retains the molding strip "A" as shown place nylon spacers #9a located in Bag #3 of your hardware kit into the molding recess holes both ends driver and passenger sides. Then place support brackets "Fa" and "F" over top of the nylon spacers using the M6 x 35mm mounting screws, water proof washers and M-4 Allen wrench located in Bag #3 of your hardware kit to secure in place. Support brackets "Fa" attach to the rear mounting holes on the vehicle roof top and support brackets "F" attach to the front mounting holes of the vehicle roof top. Do not fully tighten down at this time. If your vehicle should have an OEM roof rack remove completely at this time then place brackets "Fa" and "F" directly over the vehicle roof top mounting holes as described above (*molding strip "A" and spacer's #9a are not needed*).
- 4- Refer to page 4 Fig. 4 after all support brackets "Fa" and "F" have been installed place Gobi roof rack #11 on top of all four support brackets as shown in Fig. 6 page 5. Refer back to page 4 Fig. 4 place black rubber pad #10 between roof rack and support brackets then install 3/8" bolts, washers, lock washers and nuts located in Bag # 4 of your hardware kit in place as shown. Continue the same procedure to all support brackets to secure roof rack to vehicle roof top. Finger tighten only at this time.
- 5- Refer to page 4 Fig. 4 while lifting slightly on the roof rack fully tighten all eight #9 M6 x 35mm screws using the M-4 Allen wrench supplied in your hardware kit Bag #3. Once all four support brackets are fully tightened to the vehicle roof top fully tighten all eight 3/8" bolts, washers, lock washers and nuts of the roof rack to the support brackets.
- 6- Refer to Fig. 6 page 5 #2 farring, the farring comes pre-assembled with farring brackets #4 attached. The position of each attached fairing bracket may not be fixed at the proper height for your particular roof line. Adjustments may have to be made in order for the fairing to form correctly to your vehicle's roof line. Begin by attaching the fairing's center bracket to the middle slot #5a of the Gobi roof rack light bar #5 shown on page 5 Fig. 6 use the 1/4" bolts, washers and nuts supplied in bag #2. Provide approximately a 2" gap between the fairing and the Gobi rack outer tube as shown on page 5 Fig. 7 a, tighten down the center nut and bolt at this time. Proceed to either the right or left hand side and pull the fairing in the direction of the arrows on page 5 Fig. 7 letters "F" and "G" while pushing down on the fairing towards the roof top at the same time. Pull each side until the fairing either makes contact with the Gobi roof rack or comes in close proximity. Align fairing brackets #4 to the Gobi light bar fairing slots at the ends of the Gobi light bar #5 and insert the 1/4" bolt and washer through the fairing bracket #4 then through the Gobi light bar slot and secure the fairing in place with the 1/4" washer and nut. Proceed to the opposite side and continue attaching the fairing in the same manner. Be sure that the fairing through out it's length is in contact with the roof top as snug as possible, fairing brackets may need to be adjusted either up or down and in some cases you may bend the fairing bracket to accommodate the final result. Once the fairing is in the proper position tighten all fairing bracket screws firmly. Roof rack installation is complete.

GOBI 07 JEEP GRAND CHEROKEE FULL SIZE ROOF RACK INSTALLATION INSTRUCTIONS

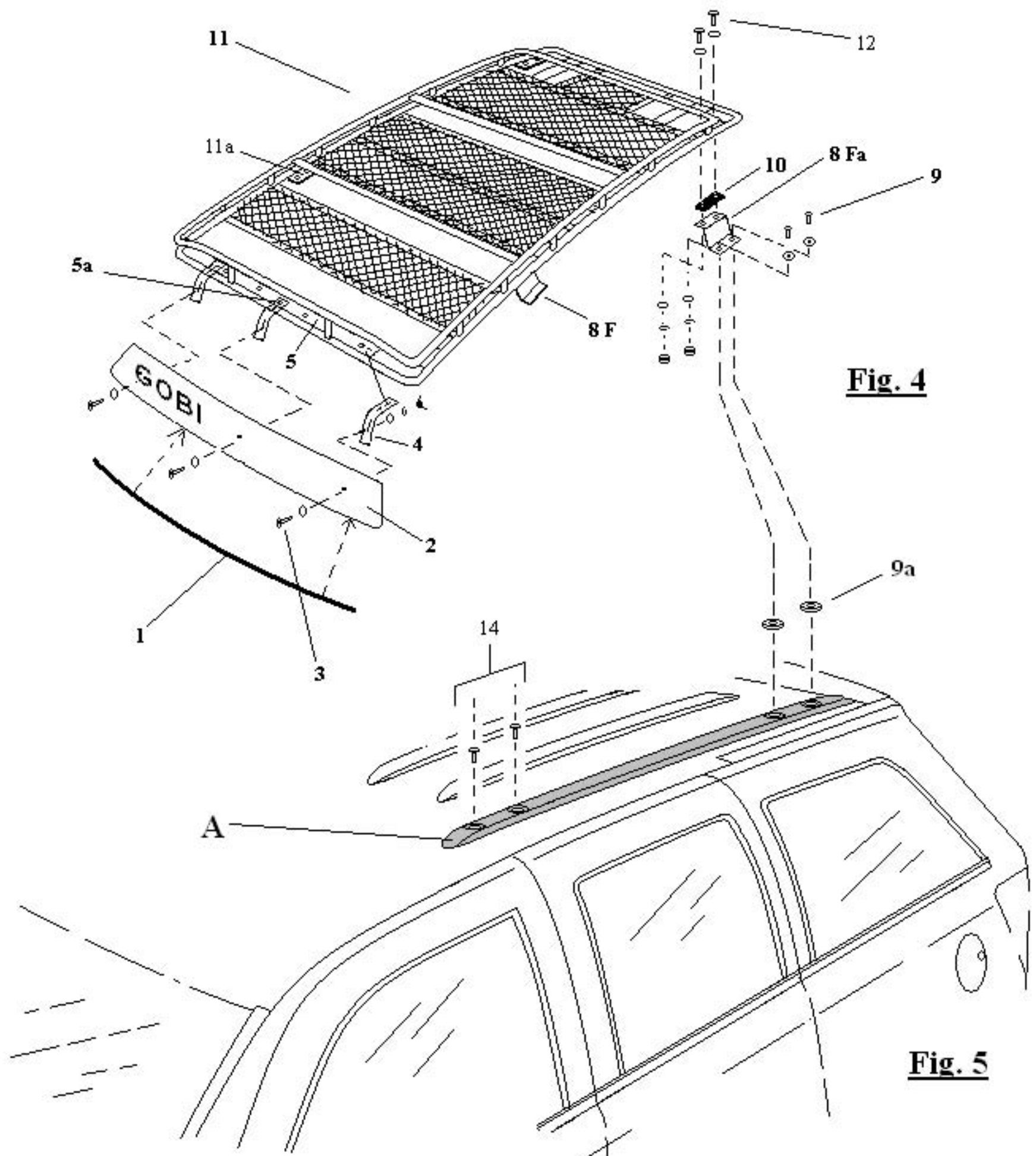


Fig. 4

Fig. 5

GOBI 07 JEEP GRAND CHEROKEE FULL SIZE ROOF RACK INSTALLATION INSTRUCTIONS

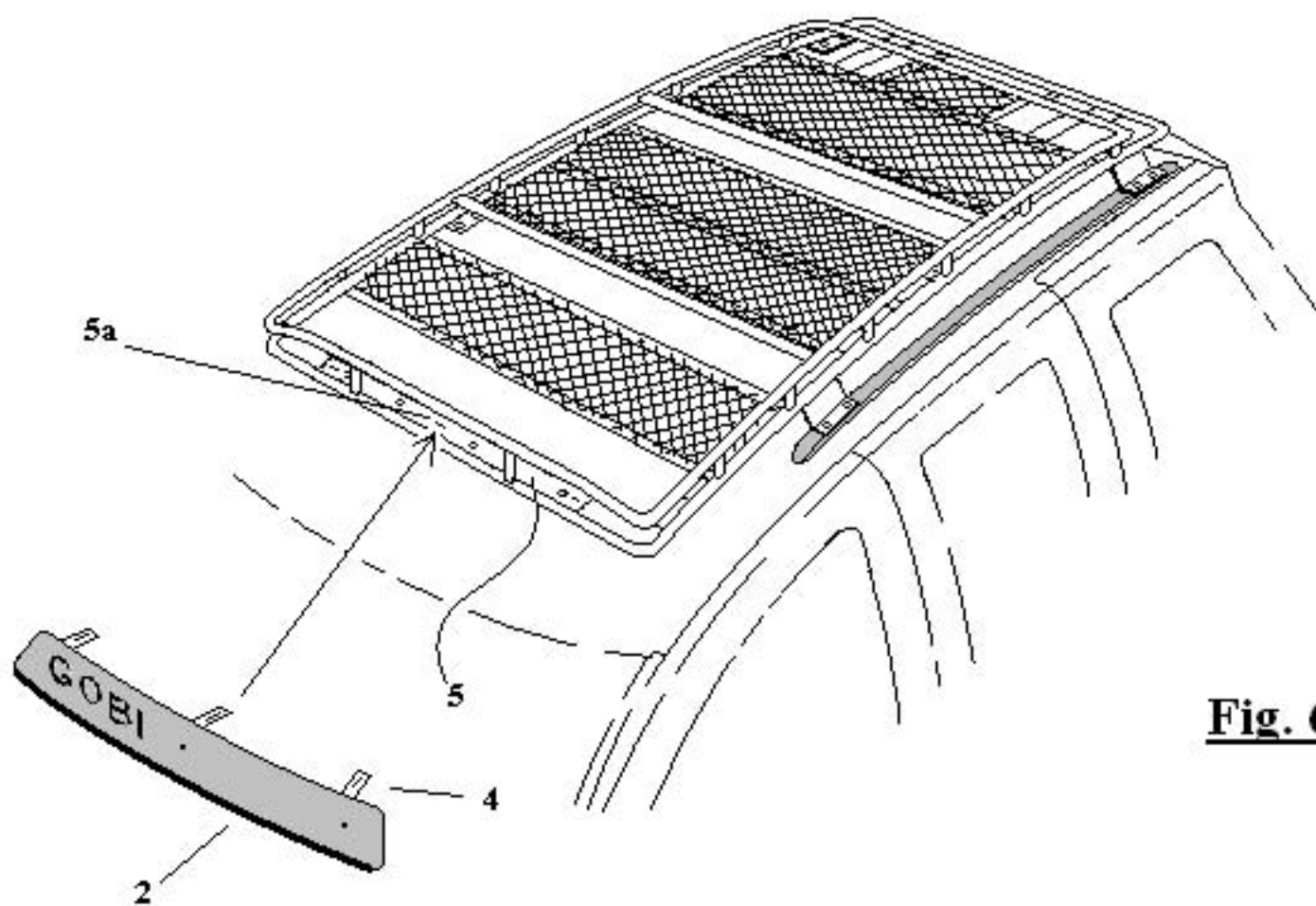


Fig. 6

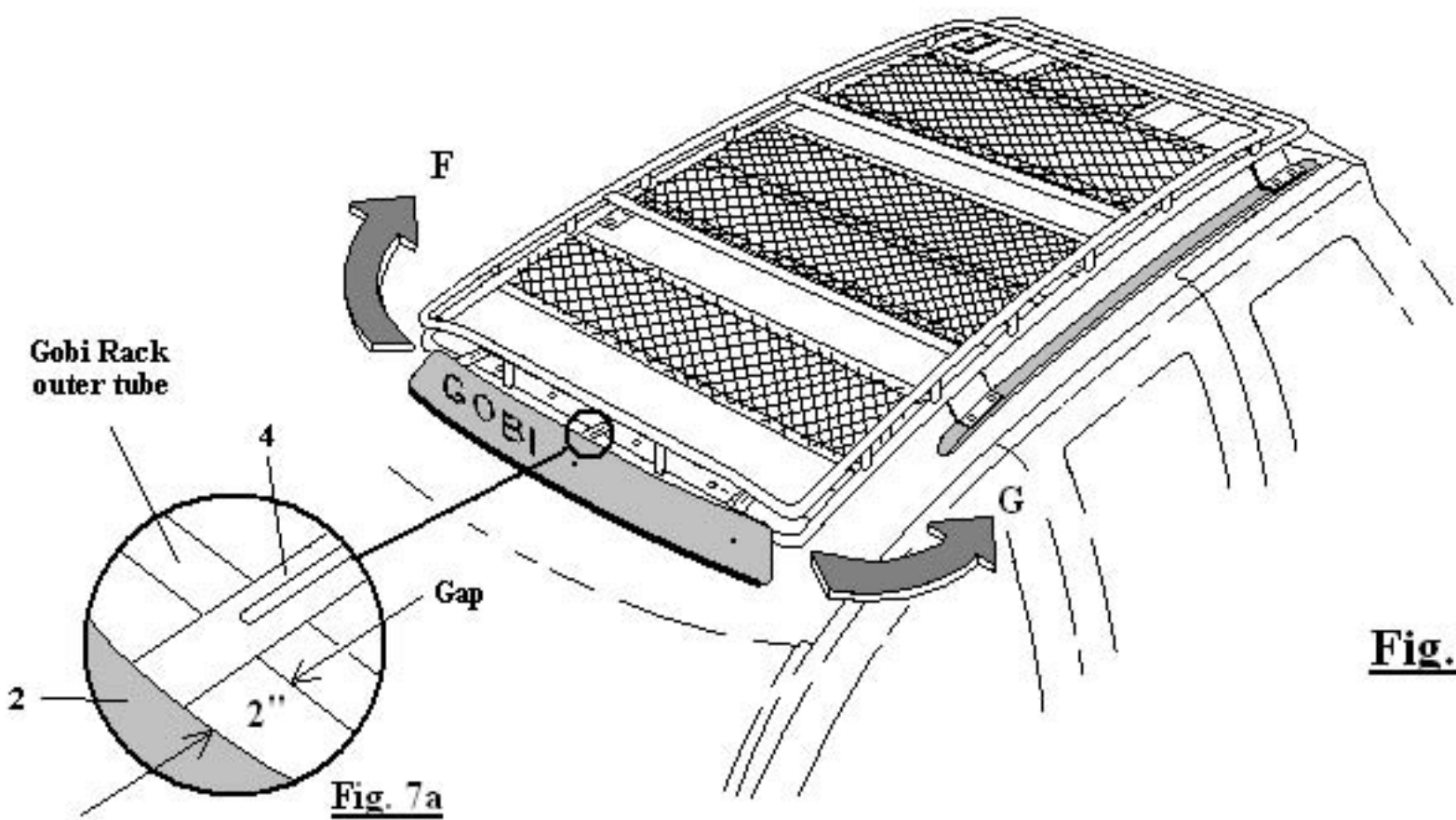


Fig. 7