

GOBI JEEP 05-2010 GRAND CHEROKEE LADDER INSTALLATION INSTRUCTIONS

The Gobi ladder must be inspected before each use to make certain attachments are secure, and for evidence of Wear. Misuse of the ladder or failure to observe the manufacturer's instructions as to installation, proper Attachment and maintenance will void any warranties that may be implied by law.

CAUTION

**"LADDER IS TO BE TRAVERSED UPON
ONLY
WHEN THE REAR DOOR IS FULLY

CLOSED AND LOCKED"**

GOBI JEEP 05-2010 GRAND CHEROKEE LADDER INSTALLATION INSTRUCTIONS

Guidelines:

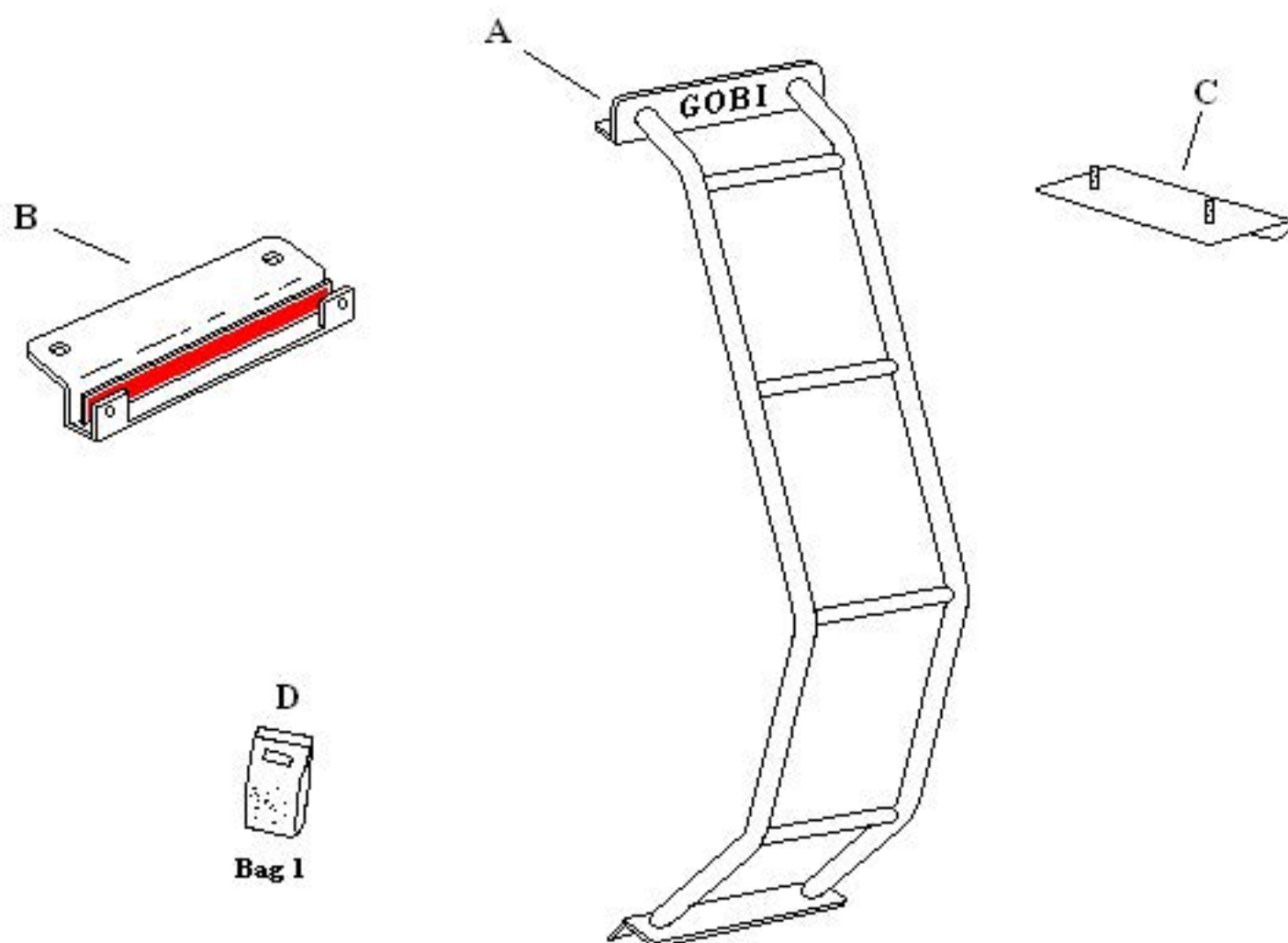
When using Load Carriers and Accessories, the user must understand the precautions. The points listed below will assist you in using the rack /carrier system and will encourage safety.

- For quality fits and safty, use only the recommended rack or accessory. Do not assume an accessory will fit, always check with dealer when obtaining new accessories. Use only approved accessories on load carriers. Using other brands will void your warrenty.
- Make sure all knobs, bolts, screws, straps, and locks are firmly attached, tightened and locked before every trip. Knobs, bolts, screws, straps, and locks must be periodically inspected for signs of wear, corrosion, and fatigue. Check your load at stops during the trip to insure continued fastening security.
- Check local and state laws governing projection of objects beyound the width of a vehicle. **Be aware of the width and height of your cargo since low clearance branches, bridges, and parking garages can affect the load** All cargo will affect the vehicle's driving behavior. Never drive with any lock, know, or rack in an open or unlocked position. All long loads such as, but not limited to sailboards, surfboards, kayaks, canoes, and lumber must be tied down front and rear to the bumpers or tow hooks, of the vehicle.
- Remove your rack accessories when they are not in use, before intering car washes, prior to taking in your vehicle for service, and whenever clearance may be an issue.
- All locks must be turned and moved periodically to insure smooth operation. Use graphite or similar dry lubricant to help this. Locks are designed to deter vandalism and theft. Remove valuable gear if your vehicle is unattended for an extended period. Place at least one key in the glove compartment.
- For safety to your vehicle and rack system, obey all posted speed limits and traffic cautions. Adapt your speed to the conditions of the road and the load being carried.
- Do not use load carriers and accessories for purposes other than those for which they were designed. Do not exceed their carrying capacity.
- Consult with your dealer if you have any questions regarding the operations and limits of this product. Review all instructions carefully.

GOBI JEEP 05-2010 GRAND CHEROKEE LADDER INSTALLATION INSTRUCTIONS

Included in kit

Letter	Description	Location	Quantity
A	GOBI JEEP GRAND CHEROKEE REAR DOOR LADDER	Main box	1
B	LOWER LADDER CLAMP	strapped to ladder	1
C	LADDER HANGER BRACKET	strapped to ladder	1
D	GOBI LADDER MOUNTING HARDWARE CONTENTS: 2-5/16" Stainless Nuts 2-5/16" Stainless Lock washers 2-5/16" Black neoprene stainless washer 2-10-32 x 5/8" Socket set caps screws 1-5/32" Allen wrench 1-1/8" Allen wrench 2- 5/16 x 1" Button head Screw SS 2- 5/16" Flat washers SS 2- 5/16" Lock washer SS	BAG #1 Pre-assembled to bottom of ladder	1



GOBI JEEP 05-2010 GRAND CHEROKEE LADDER INSTALLATION INSTRUCTIONS

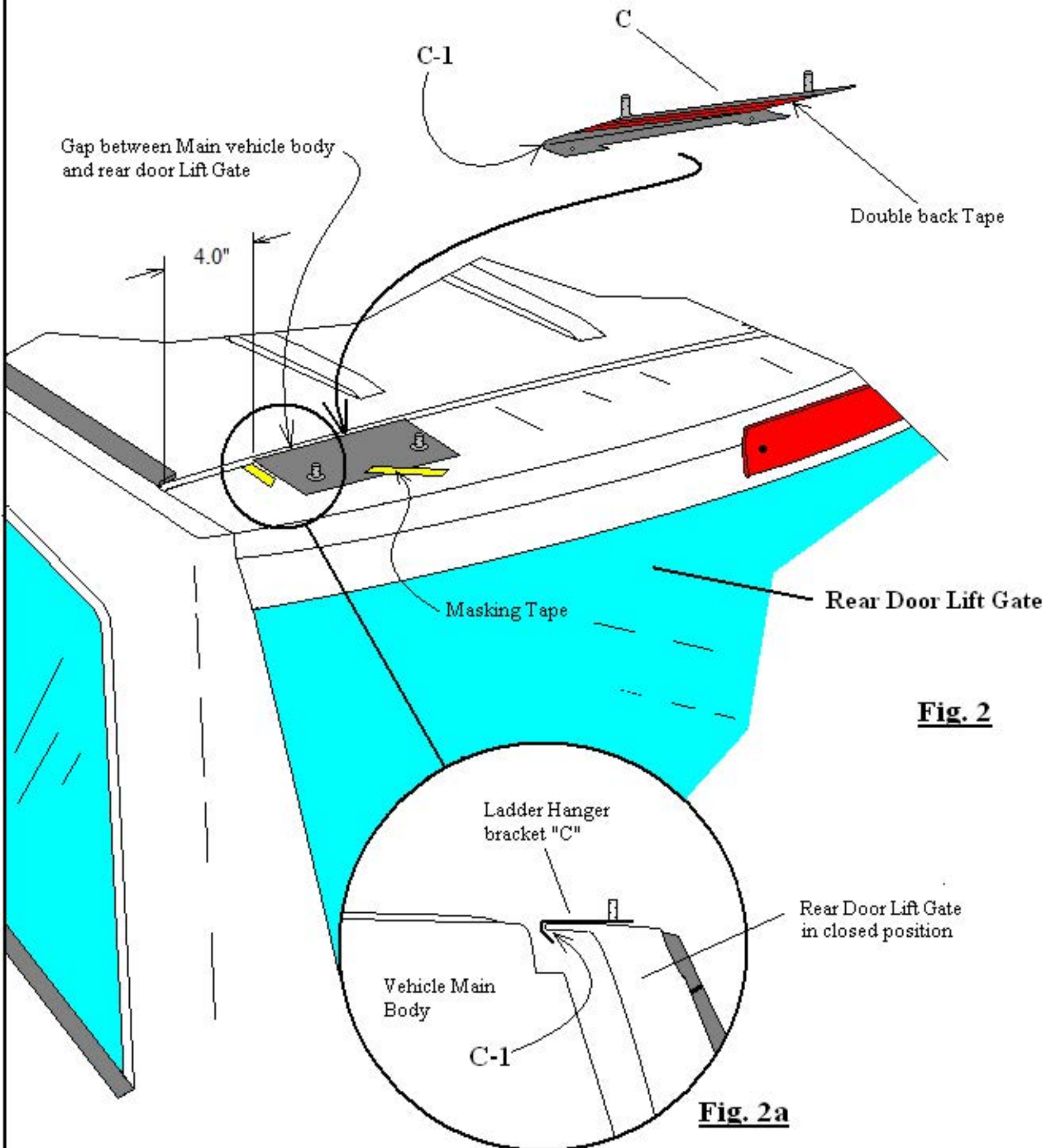
The Gobi ladder must be inspected before each use to make certain attachments are secure, and for evidence of Wear. Misuse of the ladder or failure to observe the manufacturer's instructions as to installation, proper Attachment and maintenance will void any warranties that may be implied by law.

INSTALLATION INSTRUCTIONS:

- 1- Prior to install read all instructions carefully then refer back to page 3 and make sure all parts are present before installation procedure.
- 2- Refer to page 7 using a piece of masking tape or the like attach a piece of tape as shown in Fig. 4 at the top of the rear door lift gate approximately (4.0") from the top left or drivers side edge. Continue to the bottom of the rear door lift gate and attach a piece of tape to the lower edge of the door as shown in Fig. 4 (5- ¼") from the left side or driver's side corner edge.
- 3- Remove ladder hanger bracket "C" supplied with your parts kit "Do not peel off the double back protective film at this time" carefully slide bracket "C" as shown on page 5 Fig. 2 and Fig. 2a between the gap of the upper rear door lift gate and the main vehicle body. Once bracket "C" has been slipped into the gap align the left edge of the ladder hanger "C" with the masking tape mark and pull ladder hanger bracket "C" so that the inside edge "C-1" is up against the rear lift gate doors edge as shown in Fig. 2a. Use an additional piece of tape to hold down bracket "C" from moving temporarily at this time.
- 4- Refer now to page 6 Fig. 3 open the rear door lift gate fully the ladder hanger bracket "C" can now be seen under the lift gate door. Make sure the notch of the ladder hanger bracket "C" is not in contact with the rear door support hinge as shown in Fig. 3. If the bracket needs to be moved either right or left close the door and move the hanger bracket accordingly. Once you have confirmed that the ladder hanger bracket "C" notch is not in contact with lift gate door hinge remove the masking tape mark on the outside of the lift gate previously attached and reposition so that the masking tape mark aligns with the ladder hanger brackets new position. Leave the lift gate door down at this time.
- 5- Refer to page 5 and remove the ladder hanger bracket "C" from the door, clean the surface area where the ladder hanger bracket is to be attached with denatured alcohol. Peel off the protective double back tape film and re-fit ladder hanger bracket "C" back in place and be sure that the inner edge "C-1" is in full contact with the rear door lift gate's upper edge as shown in Fig. 2a. Once in place press down firmly and hold for at least 30 seconds.
- 6- Refer to page 7 Fig. 4 attach ladder "A" on to upper ladder hanger bracket "C" as shown. Align the lower ladder bracket "A-1" left side edge with the masking tape mark previously placed at the bottom of the rear door lift gate as shown in Fig. 4. Visually check that the ladder is vertically true and not tilted to one side or the other. If the ladder appears to be slanted move the ladder to correct the vertical position then re-set the masking tape to the new location. Remove the ladder and clean the area in which the ladder is to be attached with denatured alcohol.
- 7- Refer to page 8 Fig. 5 and Fig. 5a remove from your hardware kit lower ladder clamp "B". Remove from the lower ladder clamp "B" a (1/2" x 10") aluminum pinch plate with double back tape attached. As shown in Fig. 5 and Fig. 5a clean the area on the outside and inside bottom lower lip of the rear door lift gate where the ladder was previously placed with denatured alcohol then peel off the double back tape from the aluminum pinch plate and attach to the inside door's lower lip as shown in Fig. 5a
- 8- Refer to page 9 Fig. 6 and remove the two 5/16 -18 x 1" button head screws, lock washers and flat washer "C" from the bottom of the ladder using the 3/16" Allen wrench located in your hardware kit. Place the screws nearby as they will be needed shortly. Refer to page 7 Fig. 4 and peel off the double back tape protective film as shown in Fig 4 re-install the ladder back onto the rear door lift gate as before. As you lower ladder "A" onto the rear door lift gate pull down firmly as you align the lower ladder plate "A-1" with the bottom lower lift gate lip and masking tape mark hold in place against the rear door for 30 seconds.
- 9- Refer to page 9 Fig. 6 and Fig. 6a with the help of another person while still holding the ladder against the rear door lift gate open lift gate and install clamp "B" to the bottom of ladder "A-1" and rear door lift gate lower lip as shown in Fig. 6 and Fig. 6a. Thread the two 5/16-18 x 1" screws, lock washers and flat washer just recently removed from the bottom of the ladder completely back in place into the ladder using the 3/16" Allen wrench supplied in your kit and fully tighten at this time. Continue to the inside of clamp "B" and fully tighten screws "B-3" using the 1/8" Allen wrench supplied in your kit as shown in Fig. 6a.
- 10- Refer to page 7 Fig. 4 and install washer, lock washer and nuts "B-4" to the upper hanger bracket as shown in Fig. 4 and fully tighten, "DON NOT OVER TIGHTEN". Remove all previously applied masking tape markers. Installation is now completed.

* If you should experience a slow lifting of the rear door lift gate with the added ladder weight a stronger gas spring is available.

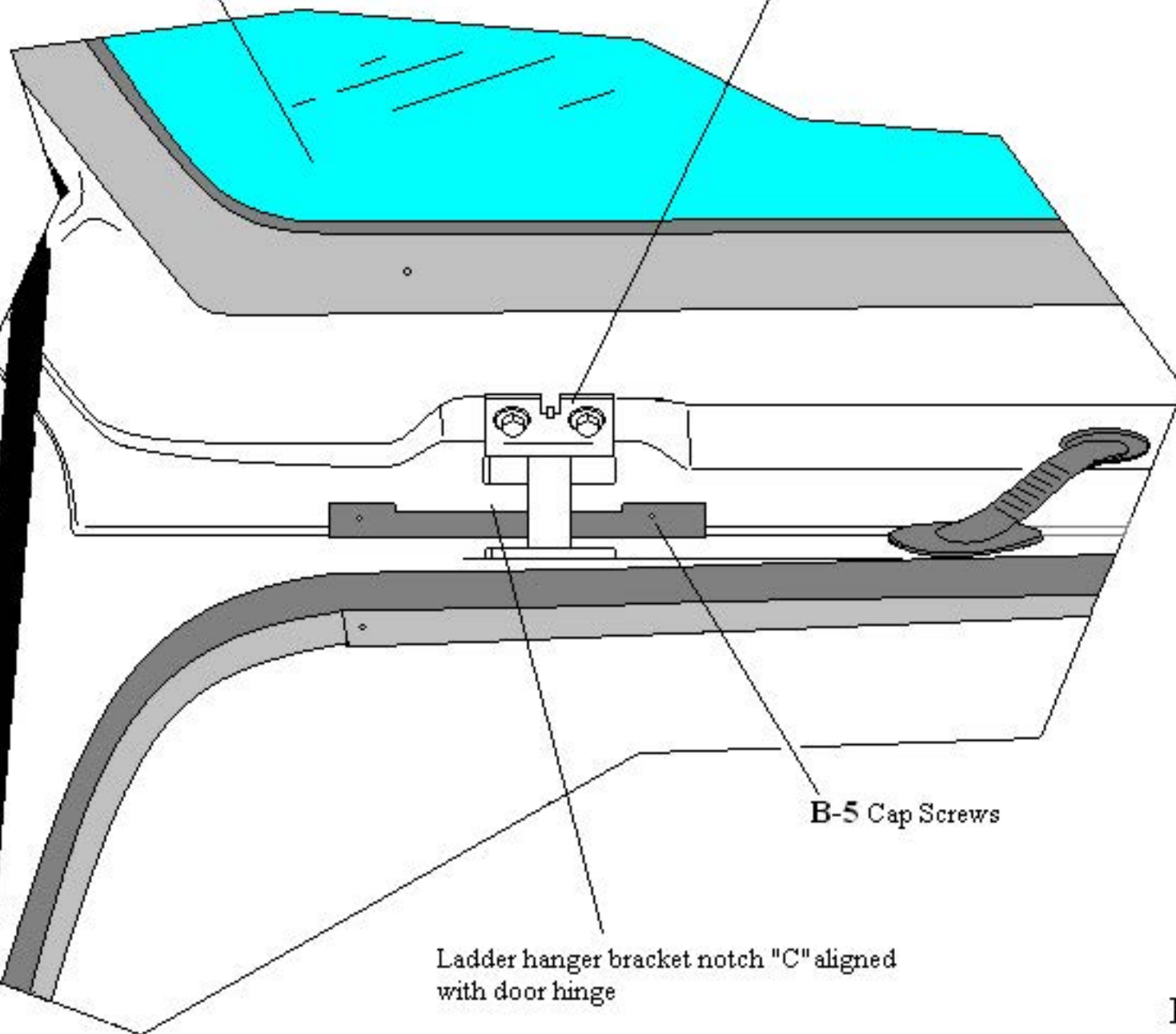
GOBI JEEP 05-2010 GRAND CHEROKEE LADDER INSTALLATION INSTRUCTIONS



GOBI JEEP 05-2010 GRAND CHEROKEE LADDER INSTALLATION INSTRUCTIONS

Rear Door Lift Gate
in the open position

Rear Door Drivers side
support Hinge



B-5 Cap Screws

Ladder hanger bracket notch "C" aligned
with door hinge

Fig. 3

GOBI JEEP 05-2010 GRAND CHEROKEE LADDER INSTALLATION INSTRUCTIONS

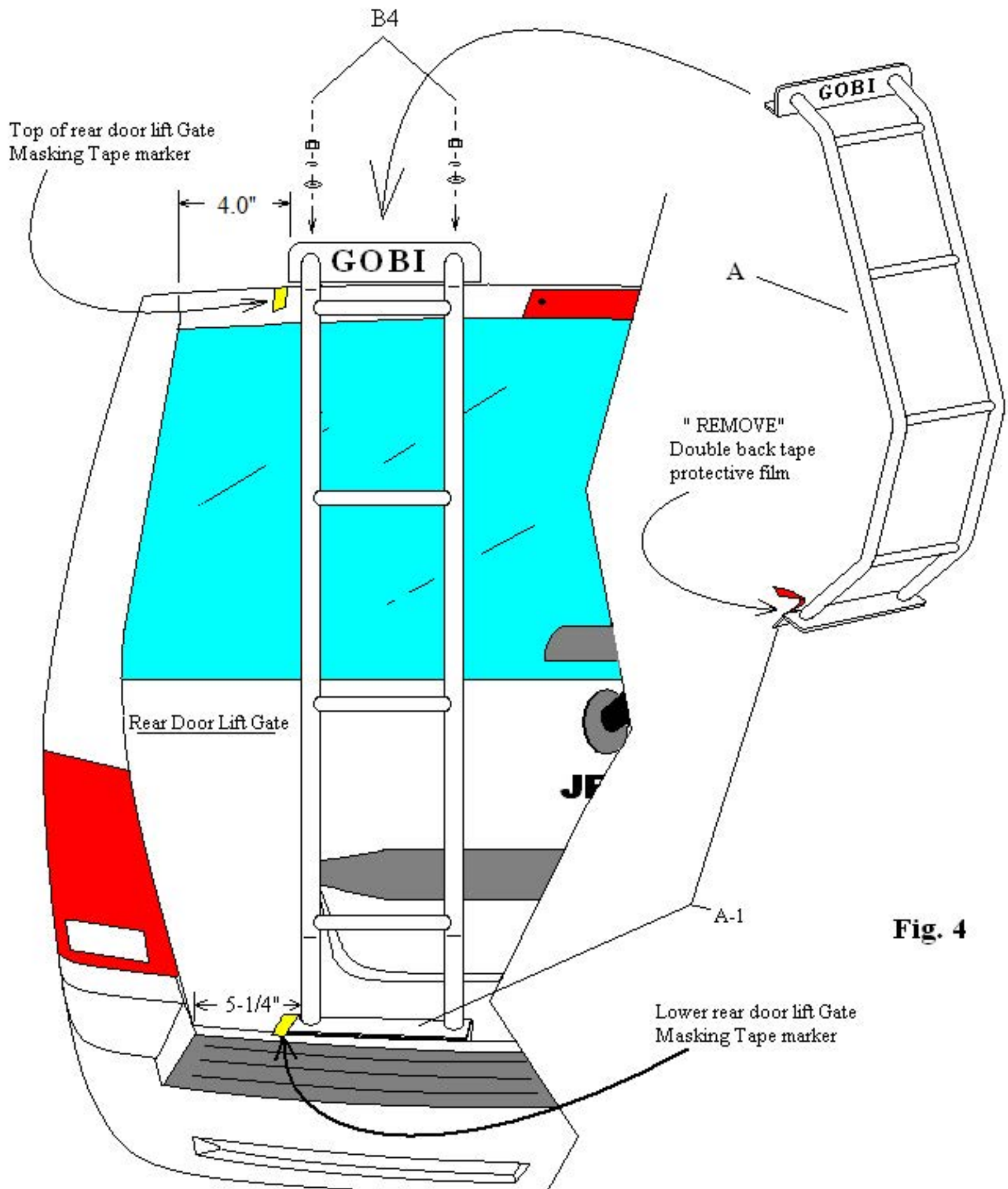
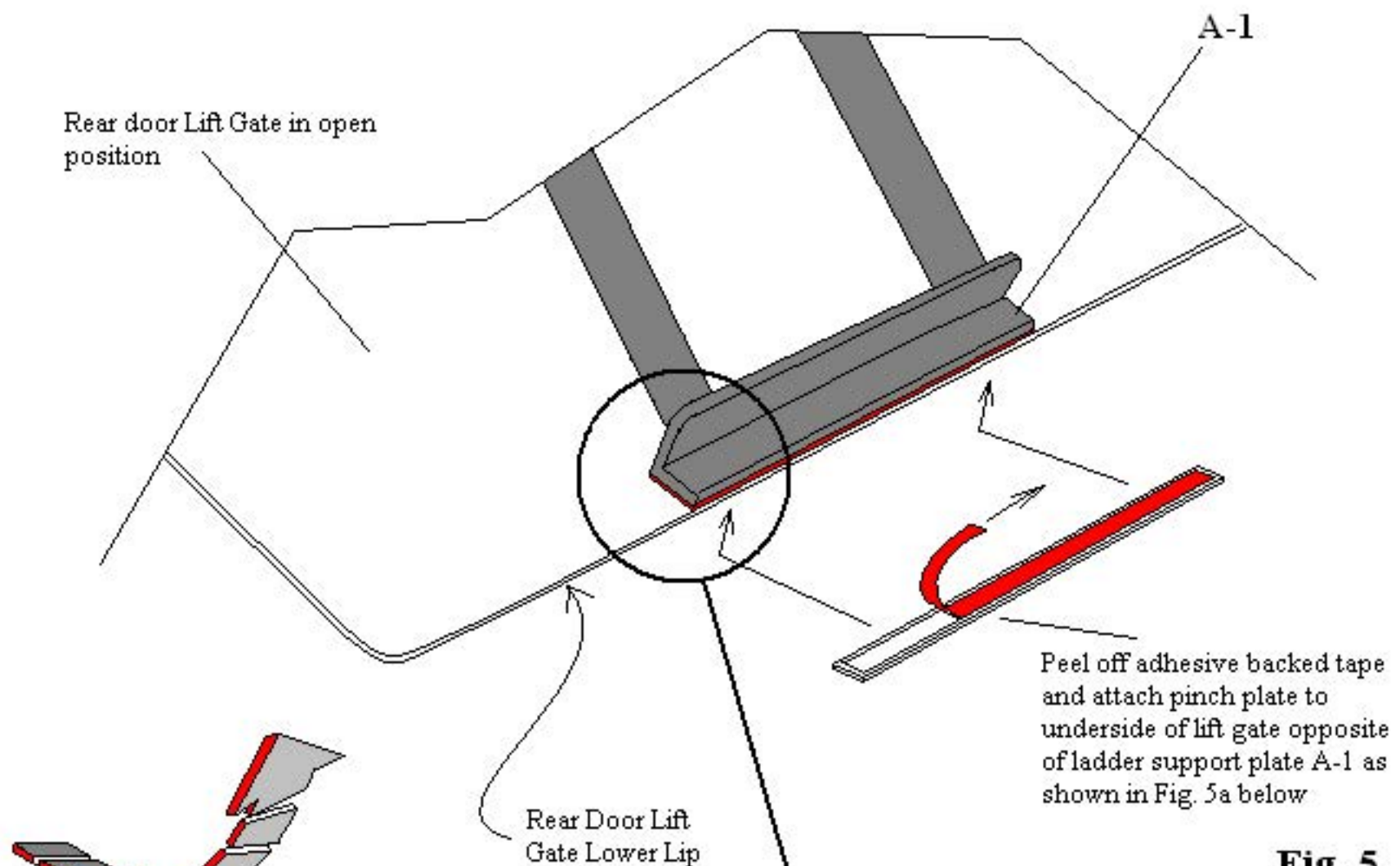


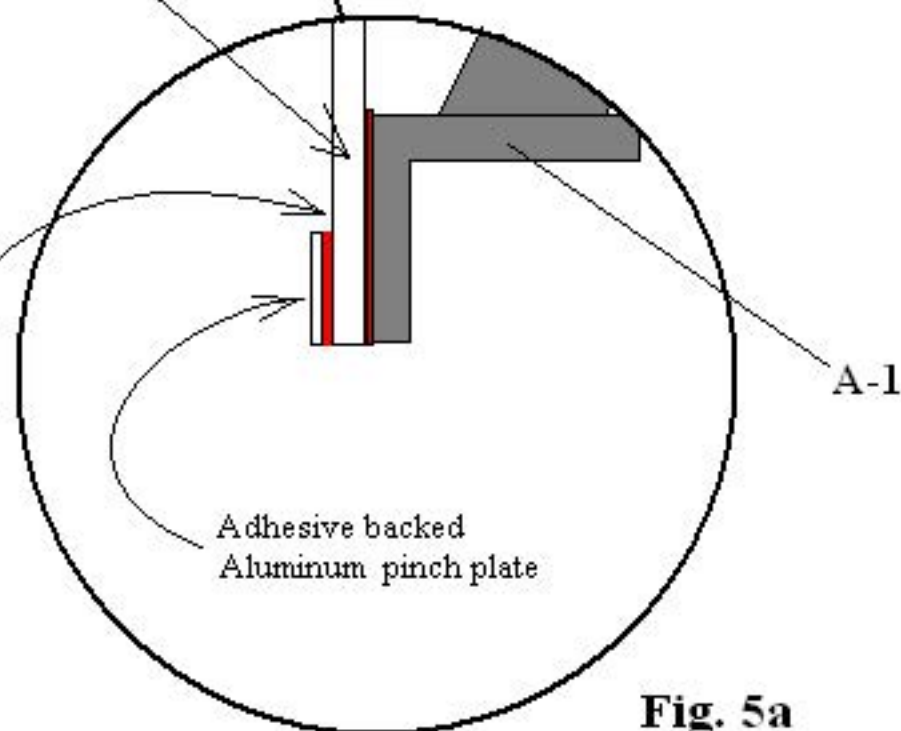
Fig. 4

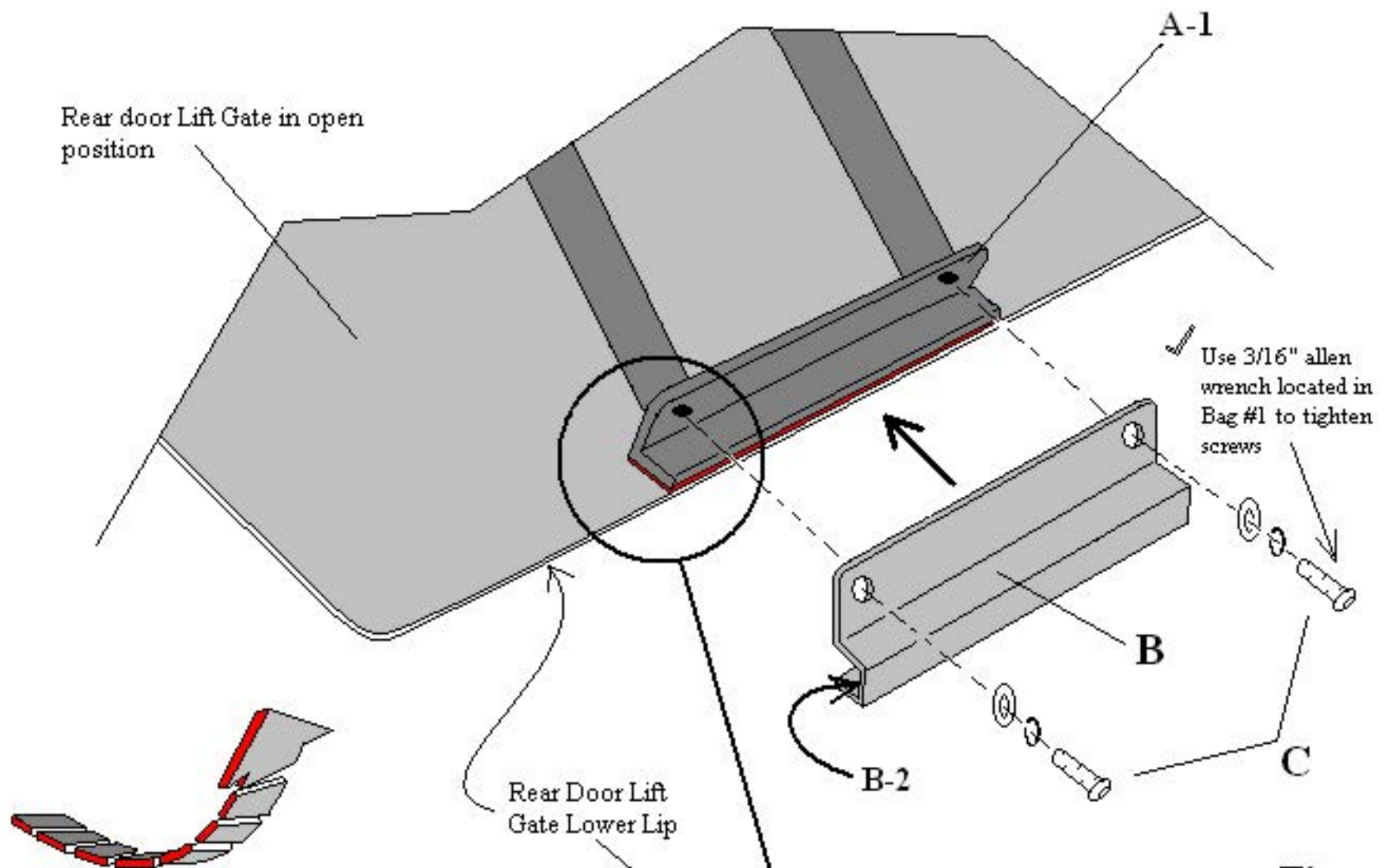
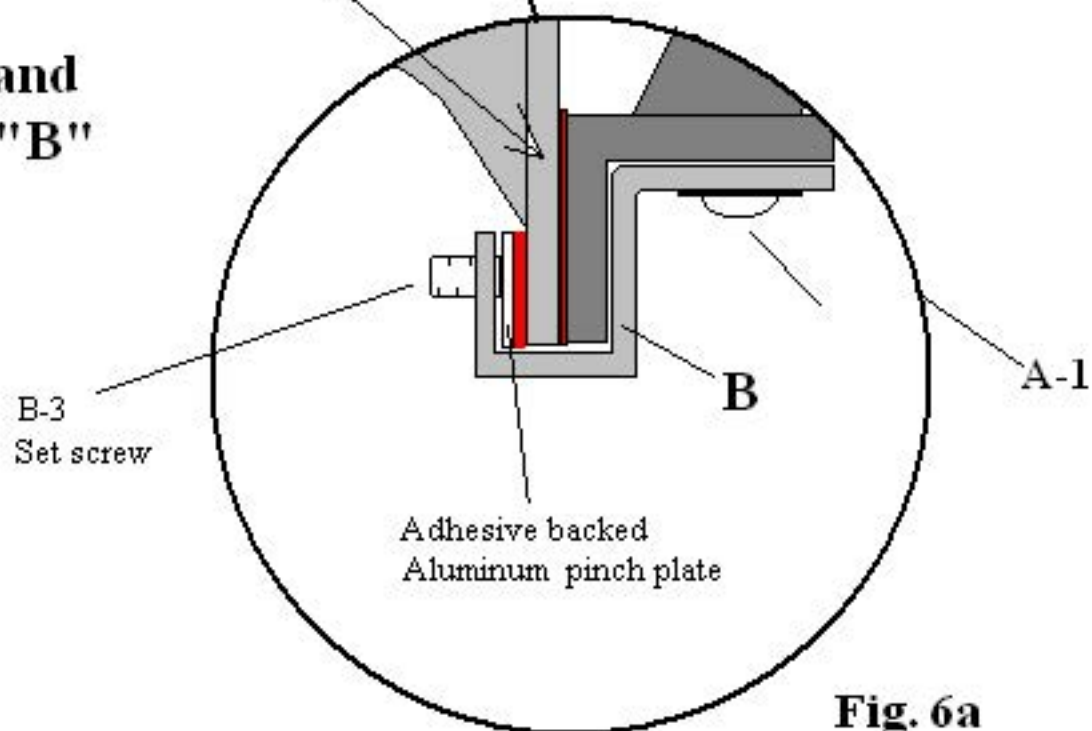
GOBI JEEP 05-2010 GRAND CHEROKEE LADDER INSTALLATION INSTRUCTIONS



Rear Door Open and Lifted for Clamp "B" installation

Clean the pinch plate contact area with denatured alcohol prior to install.



**GOBI JEEP 05-2010 GRAND CHEROKEE LADDER
INSTALLATION INSTRUCTIONS****Fig. 6****Rear Door Open and
Lifted for Clamp "B"
installation****Fig. 6a**